

1 DOOR REQUIREMENTS

CHECK THAT YOUR INTERIOR FOLDING DOORS ARE WITHIN THE SIZE AND WEIGHT CAPACITIES OF THIS SYSTEM.

MULTIFOLD 25 SYSTEM - CAPACITIES

MAX. LEAF HEIGHT	2400mm
MAX. LEAF WIDTH	620mm
MIN. LEAF THICKNESS	19mm
MAX. LEAF WEIGHT	25kg

2 HARDWARE REQUIREMENTS

CHECK THAT YOU HAVE THE CORRECT HARDWARE FOR YOUR APPLICATION, TRACK TO COVER THE WIDTH OF THE OPENING PLUS THE FOLLOWING STANDARD PACKS -

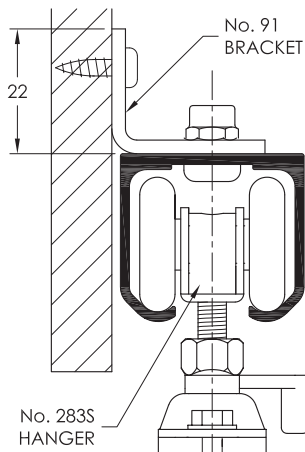
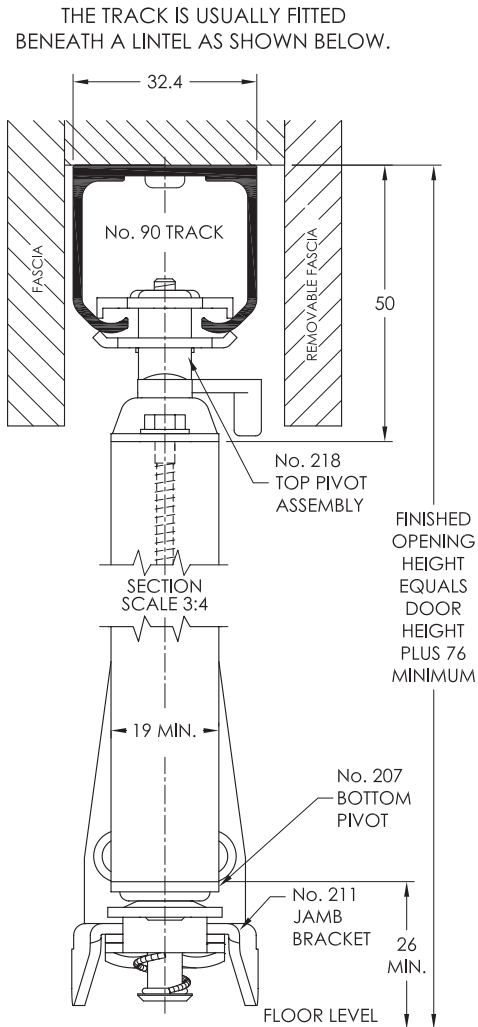
REF. No.	DESCRIPTION	CONTENTS
MF2-B	BASIC PACK OF FITTINGS FOR FIRST TWO LEAVES.	ONE OF EACH TOP PIVOT ASSEMBLY, BOTTOM PIVOT, JAMB BRACKET, HANGER, BUMPER AND SPANNER PLUS THREE HINGES, ALL SCREWS AND A FITTING INSTRUCTION.
MF2-A	ADD-ON PACK OF FITTINGS FOR ADDITIONAL TWO LEAVES	ONE HANGER, SIX HINGES AND ALL SCREWS.
IF SIDEWALL FITTING, YOU REQUIRE		
91/5	PACK OF No. 91 BRACKETS	FIVE BRACKETS WITH SCREWS, BOLTS AND NUTS.
91/8	PACK OF No. 91 BRACKETS	EIGHT BRACKETS WITH SCREWS, BOLTS AND NUTS.

NOTE - A GUIDE SYSTEM AT FLOOR LEVEL MAY BE NECESSARY- REFER **13** ON BACK PAGE.

3 PREPARE OPENING CAREFULLY

THE TRACK MUST BE INSTALLED LEVEL BECAUSE THE TOP PIVOT ASSEMBLY HAS NO VERTICAL ADJUSTMENT AND THE HANGER IS PRE-SET TO THE SAME HEIGHT. SINCE THE TOP PIVOT CANNOT BE ADJUSTED, IT IS IMPORTANT THAT YOU DO NOT ADJUST THE HANGER. MAKE SURE THAT THE JAMBS ARE AS STRAIGHT AND PLUMB AS POSSIBLE. A TRUE OPENING ENSURES THAT THE DOORS OPERATE PROPERLY.

THE TRACK IS USUALLY FITTED BENEATH A LINTEL AS SHOWN BELOW.



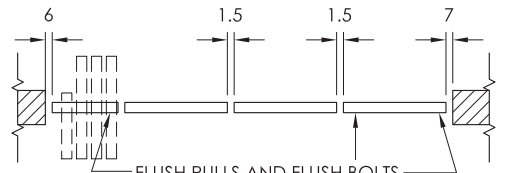
AN ALTERNATIVE HEAD DETAIL IS TO FIT THE TRACK TO THE FACE OF A WALL USING No. 91 BRACKETS.

WIDTH CLEARANCES

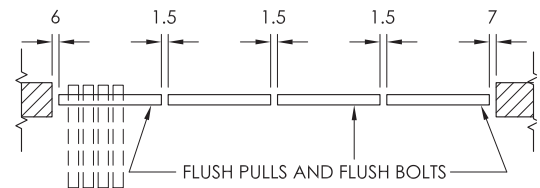
THE 1.5mm CLEARANCE BETWEEN LEAVES IS ACHIEVED WHEN FITTING THE No. 282 HINGES. ALLOW 6mm CLEARANCE AT THE JAMB NEXT TO THE PIVOT AND 7mm AT THE CLOSING JAMB. IF THE TWO UNITS MEET EACH OTHER, ALLOW 5mm CLEARANCE BETWEEN EACH UNIT - SEE SAMPLE AT BOTTOM OF PAGE.

BRACKET QUANTITY REQUIRED FOR FOLLOWING TRACK LENGTHS

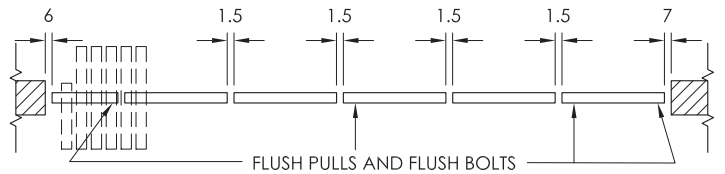
TRACK LENGTH	BRACKET QUANTITY
9 0 0	4
1 2 5 0	5
1 7 0 0	7
2 1 0 0	8
2 5 0 0	10
3 0 0 0	12
3 8 0 5	15
5 1 0 5	19
6 0 0 0	23



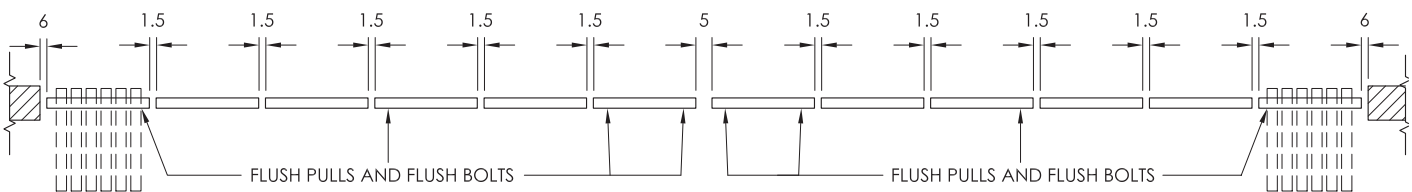
3 LEAF UNIT - CENTRE FOLDING



4-LEAF UNIT - END FOLDING



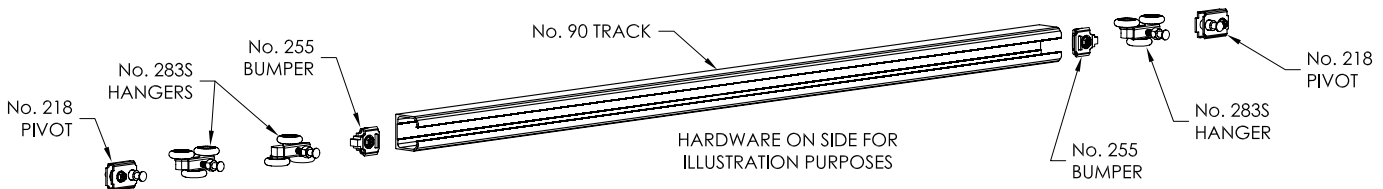
5 LEAF UNIT - CENTRE FOLDING



TWO 6-LEAF UNITS - END FOLDING

4 FITTING THE TRACK

CUT THE TRACK TO FIT THE OPENING WIDTH BETWEEN THE JAMBS. INSERT ALL THE HARDWARE REQUIRED FOR YOUR APPLICATION INTO THE TRACK. THE EXAMPLE SHOWN BELOW IS FOR FOUR LEAVES FOLDING TO THE LEFT AND TWO LEAVES TO THE RIGHT.

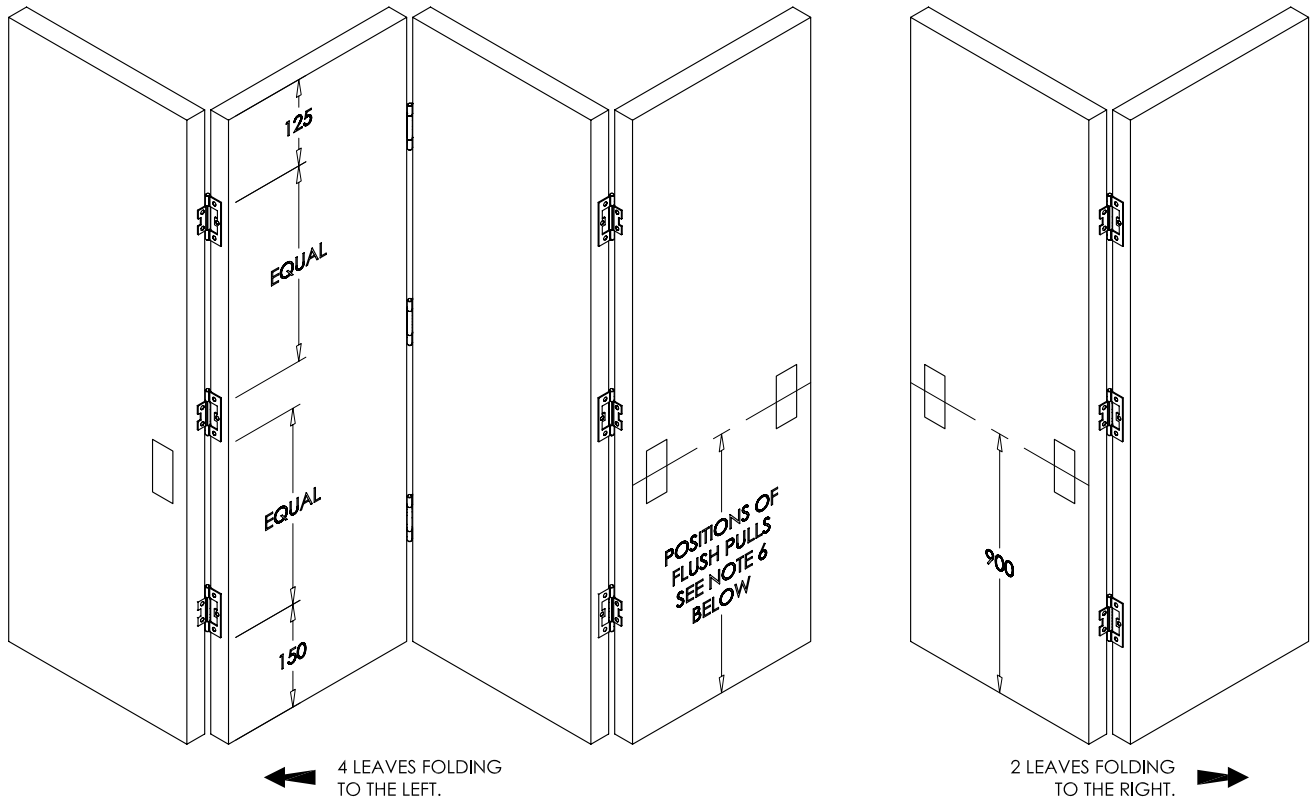


NOTE - IF MORE THAN TWO LEAVES ARE FOLDING TO ONE SIDE, AS ABOVE, ALTERNATE WHEELS AS SHOWN TO EVEN WEIGHT DISTRIBUTION.

NOTE - THE CENTRE OF THE No. 218 PIVOT IS LOCATED 57mm FROM THE JAMB. FINAL ADJUSTMENT OF THE PIVOTS AND THE BUMPERS ARE MADE AFTER THE DOORS ARE HUNG, AS SHOWN IN 10. DO NOT VERTICALLY ADJUST THE FACTORY PRE-SET HANGERS.

5 FIT HINGES ON THE LEAVES

AS SHOWN BELOW.

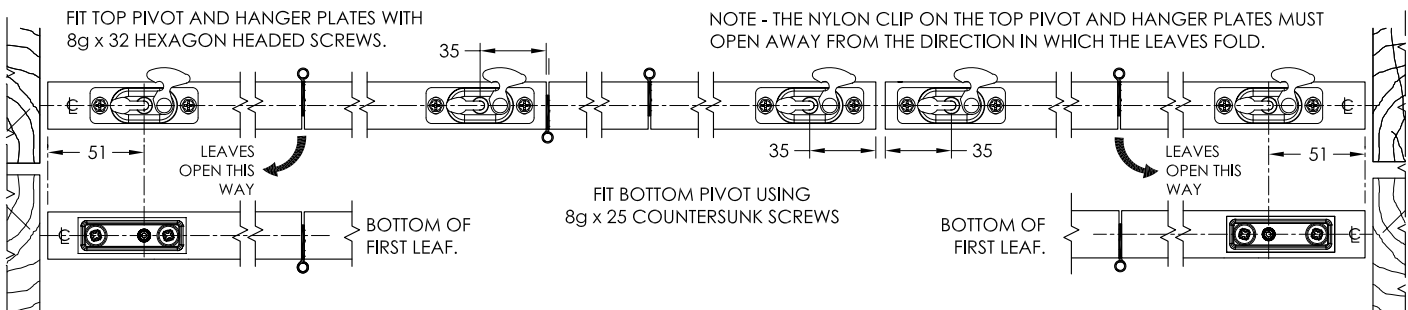


6 FIT FLUSH PULLS

IN POSITIONS SHOWN IN 5 ABOVE AND ALSO IN 3 ON THE FRONT PAGE. IF DOOR KNOBS ARE PREFERRED, THEY NEED NOT BE FITTED UNTIL 2 OPPOSITE. NOTE - ON A 5½ OR 6 LEAF UNIT, DOOR KNOBS CANNOT BE FITTED ON THE MIDDLE LEAVES. FLUSH PULLS ARE RECOMMENDED FOR THESE APPLICATIONS.

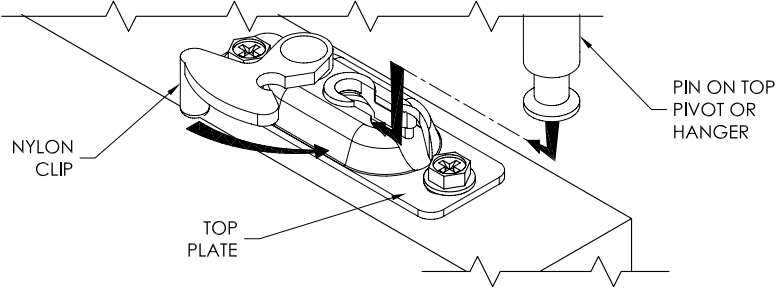
7 FIT PIVOT AND HANGER PLATES

TO TOP AND BOTTOM OF LEAVES AS SHOWN.



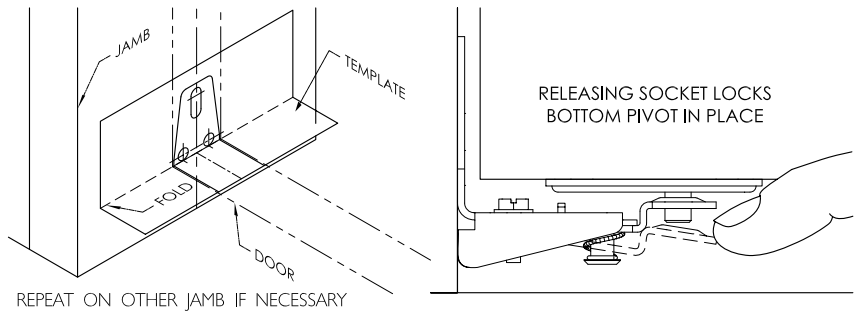
8 HANG LEAVES

IN PLACE BY INSERTING PINS ON TOP PIVOT AND HANGERS INTO PLATES ON TOP OF LEAVES. THEN LOCK IN PLACE WITH THE NYLON CLIP.



9 FIT JAMB BRACKET

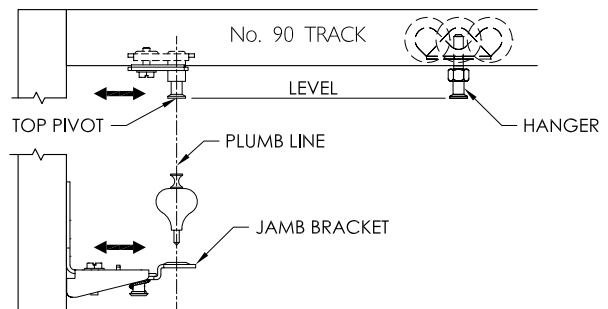
BY USING TEMPLATE AT BOTTOM OF PAGE. CENTRE OF JAMB BRACKET TO BE PLUMB BELOW CENTRE LINE OF TRACK. FASTEN JAMB BRACKET USING 8g x 32 COUNTERSUNK SCREWS. DEPRESS PIVOT SOCKET ON JAMB BRACKET AND PLACE BOTTOM PIVOT PIN IN HOLE.



10 CHECK FOR PROPER OPERATION OF DOOR

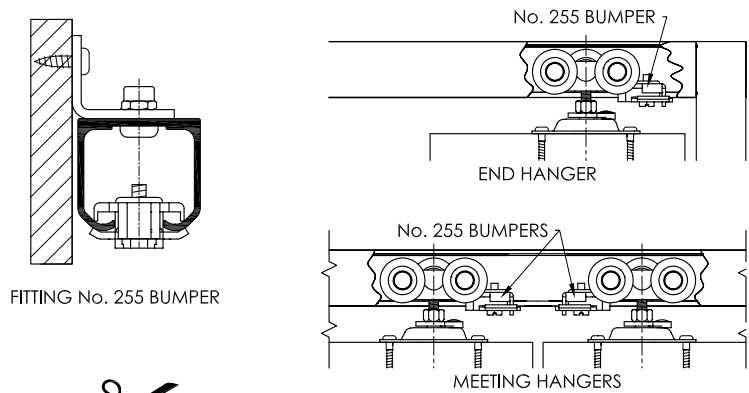
THE TOP OF THE LEAVES MUST BE PARALLEL WITH THE LEVEL TRACK.

THE TOP PIVOT HAS NO VERTICAL ADJUSTMENT AND THE HANGER (WHICH SHOULD NOT NEED ADJUSTMENT) IS PRE-SET TO THE SAME HEIGHT. THE TOP PIVOT AND THE JAMB BRACKET HAVE SIDE ADJUSTMENT SO THAT THE PIVOT POINTS CAN BE POSITIONED PLUMB.



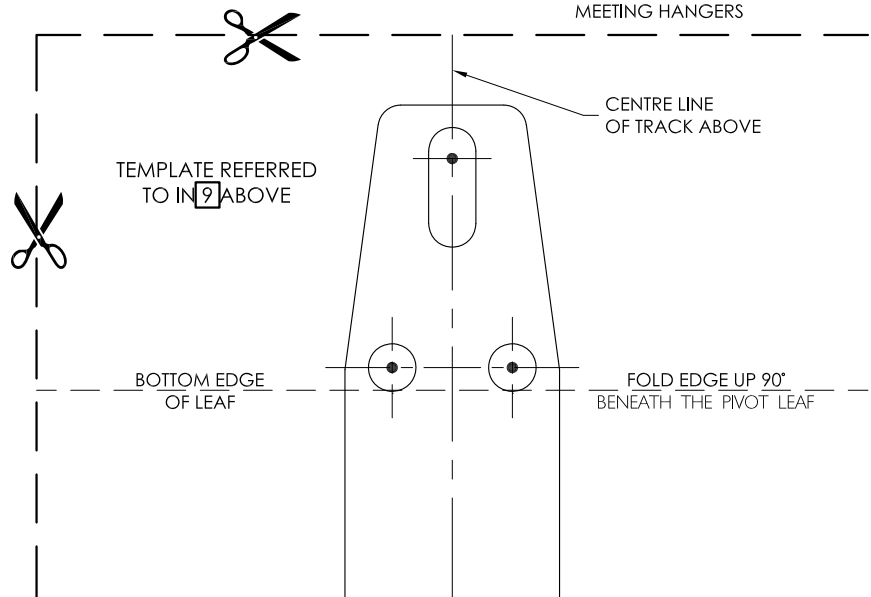
11 CLOSE LEAVES

AND SLIDE THE BUMPER UNTIL IT TOUCHES THE HANGER. OPEN LEAVES AND MOVE THE BUMPER 3mm CLOSER TO THE PIVOT. TIGHTEN BUMPER IN TRACK. LEAVES SHOULD THEN 'SNAP' INTO PLACE WHEN BEING CLOSED.



12 DOOR KNOBS

IF DOOR KNOBS ARE BEING FITTED INSTEAD OF FLUSH PULLS, PLACE ONE KNOB IN THE CENTRE OF THE SAME LEAVES AS SHOWN IN **5** OPPOSITE OR IN **3** ON THE FIRST PAGE. NOTE THAT ON A 5½ OR 6 LEAF UNIT, DOOR KNOBS CANNOT BE FITTED ON THE MIDDLE LEAVES. FLUSH PULLS ARE RECOMMENDED FOR THESE APPLICATIONS.

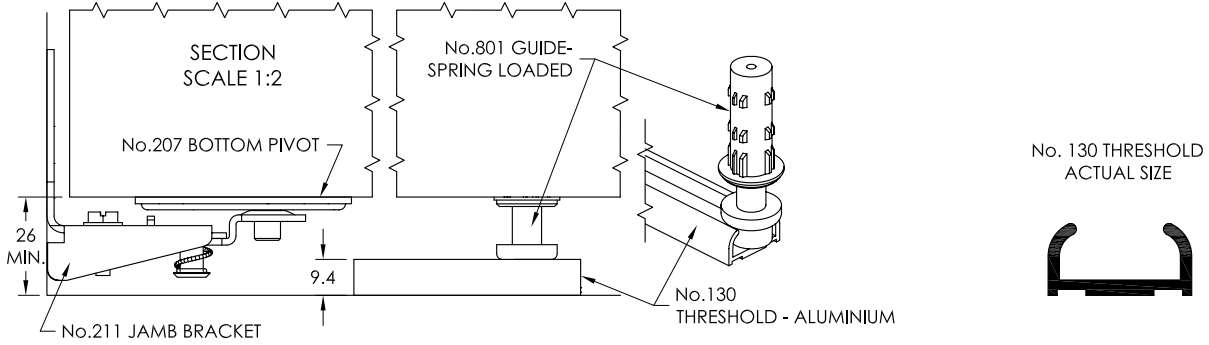


13 FLOOR GUIDE SYSTEM

A GUIDE SYSTEM AT FLOOR LEVEL MUST BE USED ON END FOLDING UNITS OF FOUR LEAVES OR MORE IN EXCESS OF 450mm WIDE OR 15kg PER LEAF.

TWO ALTERNATIVES ARE AVAILABLE.

ON A TILE OR TIMBER FLOOR WE RECOMMEND THE USE OF A SURFACE MOUNTED THRESHOLD No. 130, WITH No. 801 SPRING LOADED GUIDES ON EVERY SECOND LEAF, DIRECTLY BELOW THE HANGER CENTRELINE.



ON A CARPETED FLOOR WE RECOMMEND THE USE OF A SURFACE MOUNTED CHANNEL FITTED DIRECTLY TO THE FLOOR, WITH THE CARPET AND UNDERLAY BUTTED UP TO THE CHANNEL. A GUIDE, No. 106MF/94, IS FITTED ON EVERY SECOND LEAF DIRECTLY BELOW THE HANGER CENTRELINE.

