

(min door width 625mm)

Contents inside the box

Soft closer x 1

Wood x 2 screw

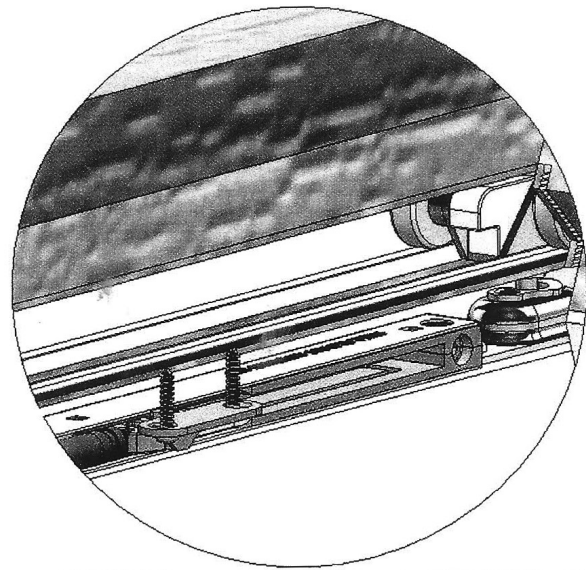
Wood x 2 screw

Activator x 1



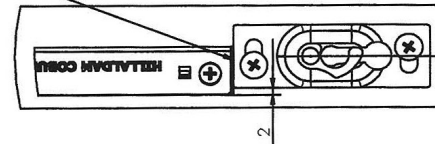
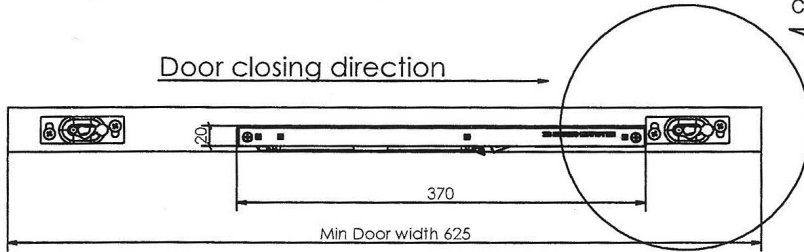
- 60 kg (30621)
- 90 kg (30620)

Note: For 30621; please use heavy duty hangers provided in the pack



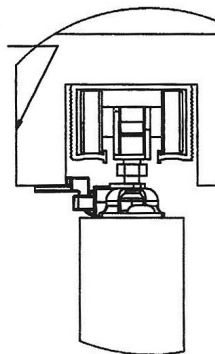
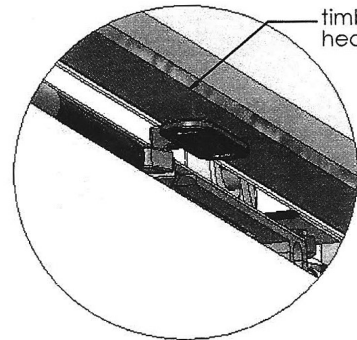
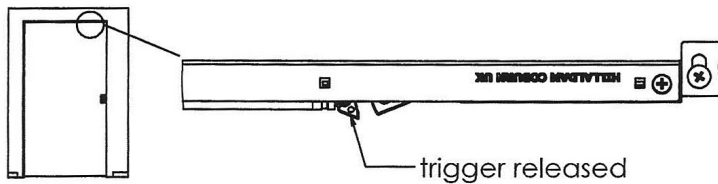
1. Fix the soft closer on the top of the door.

Butt the closer mechanism up to door plate in door closing direction as shown in the figure.



2. Insert the door ensuring it is level and plumb. Close the door fully as illustrated and ensure the trigger is released.

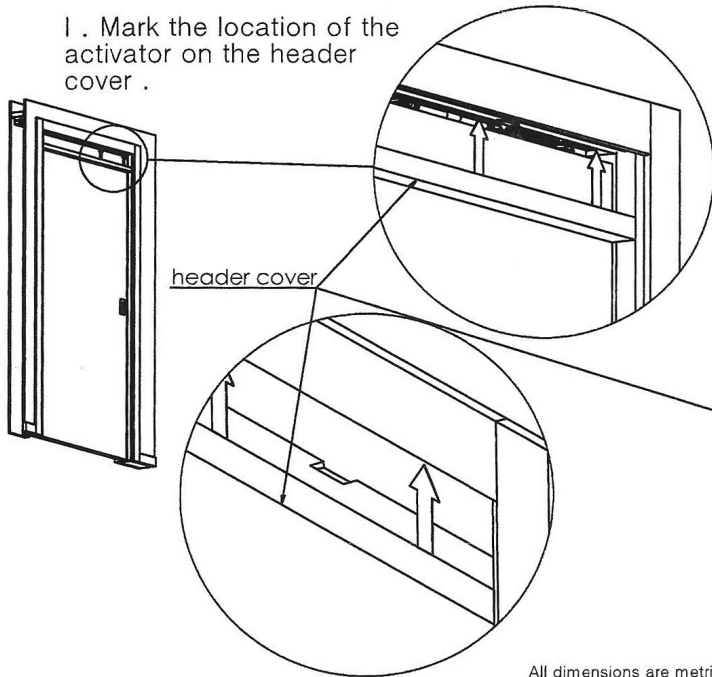
3. Ensure the door is fully closed. Insert the activator inside the trigger as illustrated below and then mark the location on the timber .



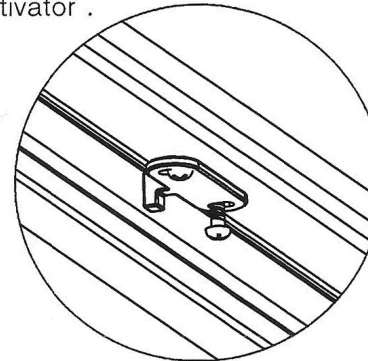
HEADER COVER FITTING IF REQUIRED (NOT SUPPLIED)

I. Mark the location of the activator on the header cover .

II. Cut out as shown below and then fix it on the header.



4. Open the door and fix the activator .



Note : Once the soft closer is installed, close and open the door to check the operation.

All dimensions are metric unit