



Hideaway Sliding & Folding Door Systems



Product Overview

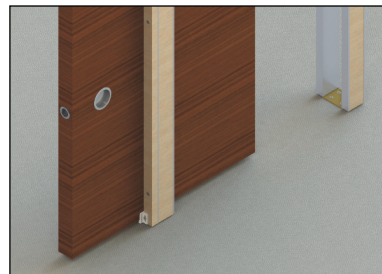
Hideaway is a sliding door framing kit suitable for plasterboard walls, created to conceal sliding doors within a wall cavity. Hideaway is able to recover the space normally occupied by traditional hinged doors and is a simple but perfect solution for lightweight sliding pocket doors.

Features

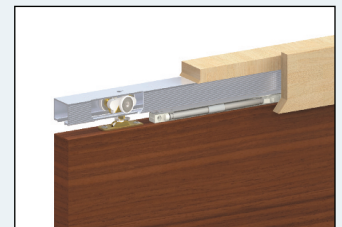
- Steel-wrapped studs, nailed to pre-assembled header provide maximum rigidity
- Keyhole slots in aluminium track allow easy removal in unlikely event of this being necessary
- Floor plate brackets provided to allow studs to easy slide over to ensure perfect alignment
- Unique hanger locking clip enables easy fitting and removal of the door from hanger, if required
- Flush pull handles and other accessories also available
- Soft closing available
- Simultaneous opening (synchro) optional

Technical Specifications

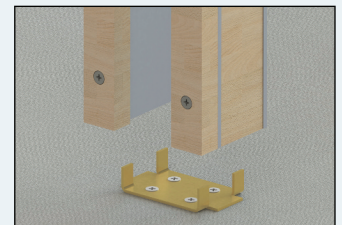
- Maximum door weight: 90kg
- Maximum door height: 2724mm
- Door Thickness: 35 – 44mm
- Track Dimensions: 89mm (w) x 60mm (h)



Stud frames, floor plates and door guides



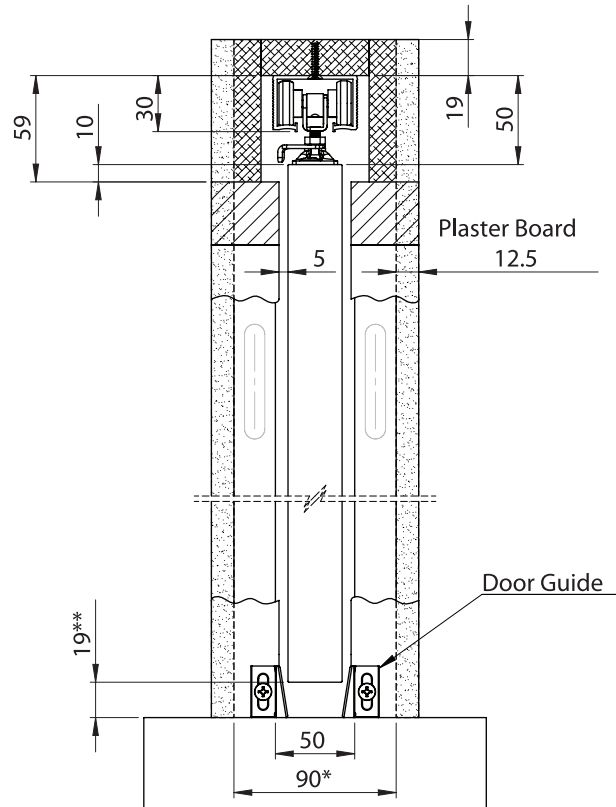
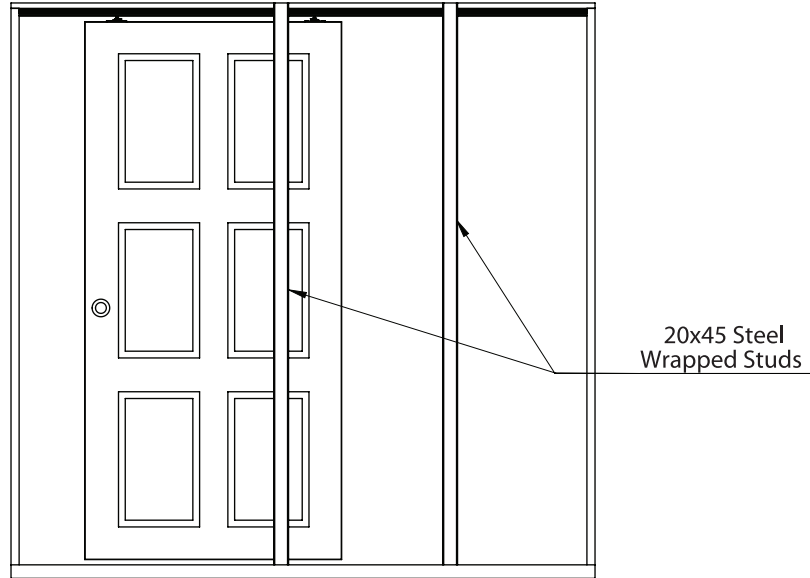
Track c/w hanger and integrated soft closer



Self adjusting floor plates



Door guides



*N.B. Add 5mm if frame adapter kit is used (i.e. for doors 35mm to 44mm)

**Allows for carpets + underlay



For further information on our products and services:

Tel: +44 (0)20 8545 6680 sales@coburn.co.uk www.coburn.co.uk

Hillaldam Coburn Limited

Unit 1, Cardinal West, Cardinal Way, Cardinal Distribution Park, Godmanchester, Huntingdon, Cambridgeshire, PE29 2XN United Kingdom.

Dealer Stamp