

Integrated door closer

## GEZE Boxer





# GEZE Boxer

## Integrated door closer, closing force size 2-4 and 3-6 according to EN 1154 A

### Product features

- ▶ Closer sizes 2-4 and 3-6 EN 1154 A <sup>1)</sup>
- ▶ Closer fully integrated into door leaf
- ▶ Guide rail only visible during opening moment
- ▶ Closing force, closing speed, hydraulic latching force and hydraulic back check adjustable when installed



GEZE Boxer in combination with smoke switch control unit RSZ 6

### Applications

- ▶ For right and left closing doors
- ▶ Closer size 2-4:
  - max. leaf weight approx. 130 kg
  - for leaf width up to 1100 mm
  - for leaf depth from 40 mm
- ▶ Closer size 3-6:
  - max. leaf weight approx. 180 kg
  - for leaf width up to 1400 mm
  - for leaf depth from 50 mm
- ▶ In case of using an integrated door closer the max. possible door opening angle amounts to 120°

### Supplied as standard package

Integrated door closer GEZE Boxer complete with screw accessories and installation instructions.  
Also necessary: guide rail with lever

### Version with mechanical hold-open device <sup>2)</sup> /supplied as package

Integrated door closer GEZE Boxer complete with screw accessories and installation instructions.  
Also necessary: guide rail with lever and mechanical hold-open device, hold-open angle infinitely variable between 80° and 120°

<sup>1)</sup> An additional suitable certificate for the door is necessary with using on smoke and fire doors.

<sup>2)</sup> Not permitted for use with smoke and fire doors.

### Specification text

Integrated door closer **GEZE BOXER** for single action doors, leaf depth from 40 mm, according to EN 1154 A, **size 2-4**, with guide rail, adjustable (when installed) closing force, closing speed, latching force and back check. The closer is completely installed into the door leaf, the guide rail is only visible when the door is open.

For right and left closing doors, up to 130 kg leaf weight and up to 1100 mm leaf width.

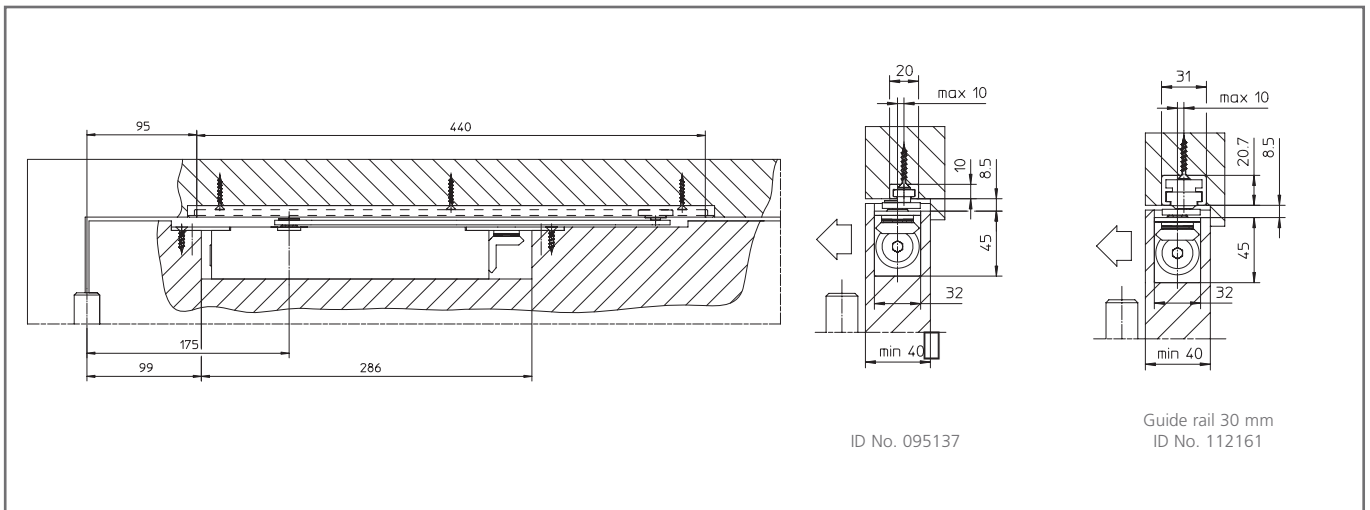
Finish: silver

### Specification text

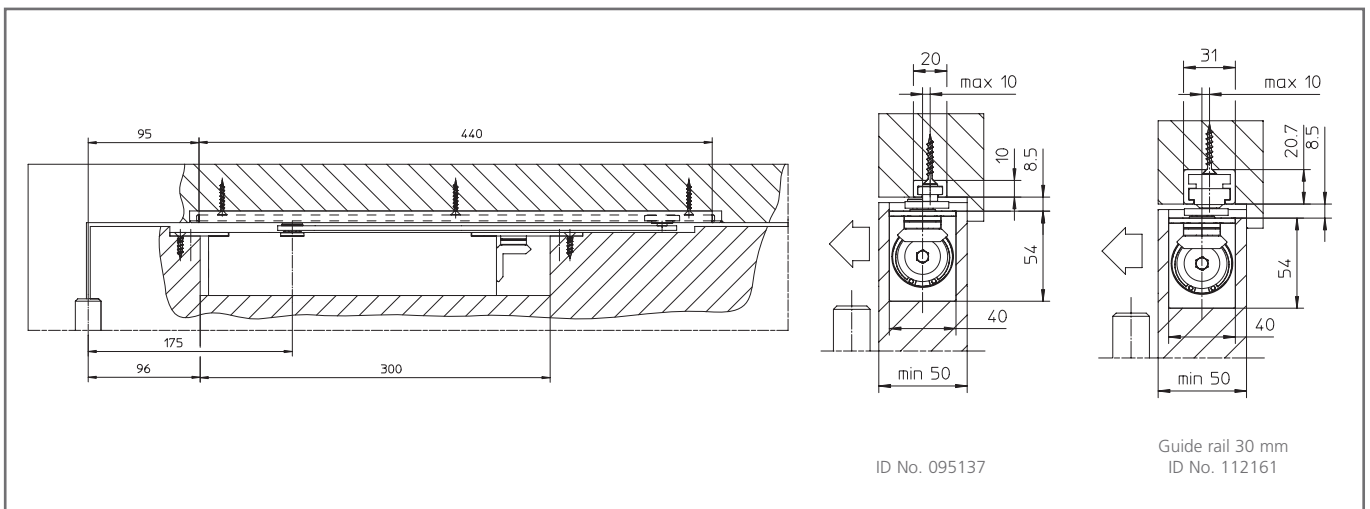
Integrated door closer **GEZE BOXER** for single action doors, leaf depth from 50 mm, according to EN 1154 A, **size 3-6**, with guide rail, adjustable (when installed) closing force, closing speed, latching force and back check. The closer is completely installed into the door leaf, the guide rail is only visible when the door is open.

For right and left closing doors, up to 180 kg leaf weight and up to 1400 mm leaf width.

Finish: silver



GEZE Boxer size 2-4 with guide rail Boxer



GEZE Boxer size 3-6 with guide rail Boxer

### Specification text

Integrated door closer **GEZE BOXER with mechanical hold-open device**, for single action doors, leaf depth from 40 mm according to EN 1154 A, **size 2-4**, with guide rail, with mechanical hold-open device, hold-open angle infinitely variable between 80° and 120°, retaining force of hold-open device can be adjusted, adjustable (when installed) closing force, closing speed, latching force and back check.

The closer is completely installed into the door leaf, the guide rail is only visible when the door is open.

For right and left closing doors, up to 130 kg leaf weight and up to 1100 mm leaf width.

Finish: silver

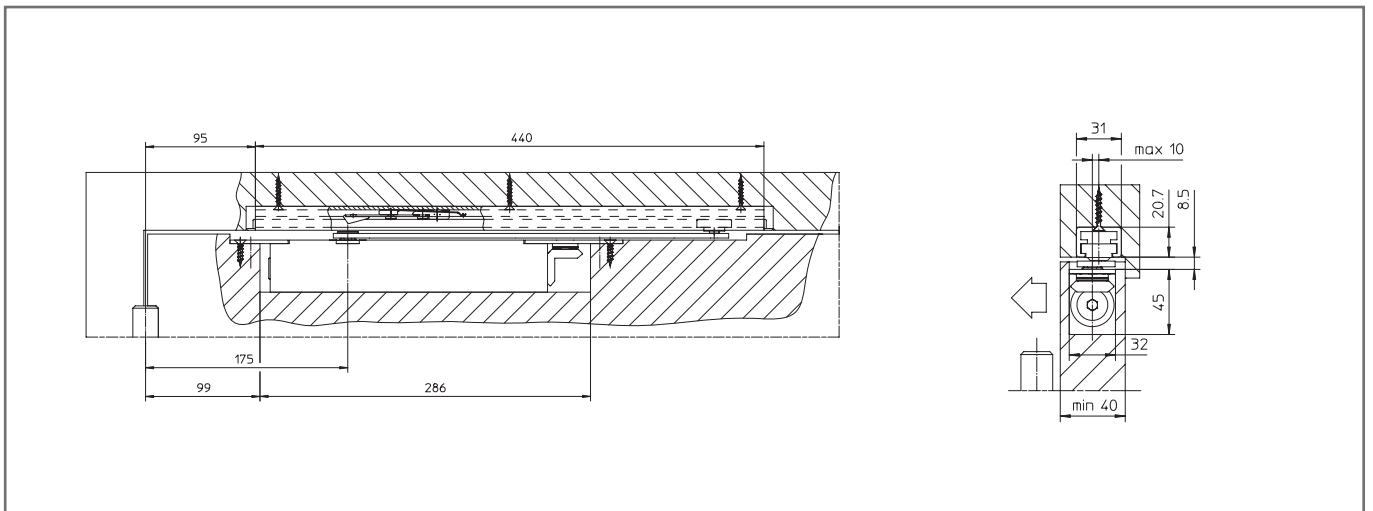
### Specification text

Integrated door closer **GEZE BOXER with mechanical hold-open device**, for single action doors, leaf depth from 50 mm according to EN 1154 A, **size 3-6**, with guide rail, with mechanical hold-open device, hold-open angle infinitely variable between 80° and 120°, retaining force of hold-open device can be adjusted, adjustable (when installed) closing force, closing speed, latching force and back check.

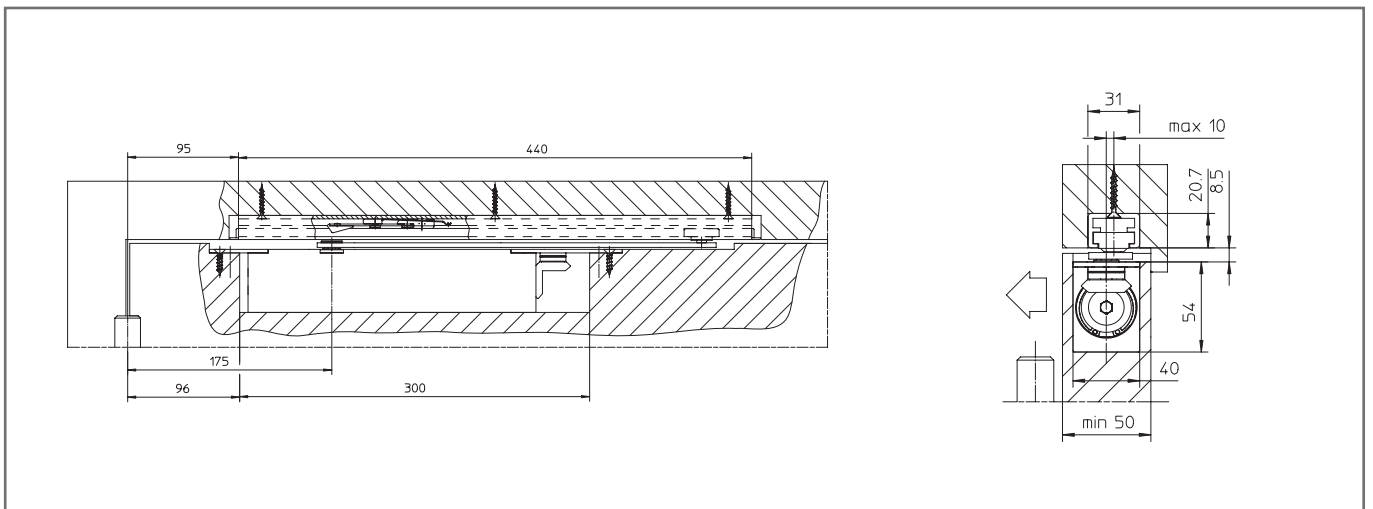
The closer is completely installed into the door leaf, the guide rail is only visible when the door is open.

For right and left closing doors, up to 180 kg leaf weight and up to 1400 mm leaf width.

Finish: silver



GEZE Boxer size 2-4 with guide rail Boxer, with mechanical hold-open device



GEZE Boxer size 3-6 with guide rail Boxer, with mechanical hold-open device



# GEZE Boxer E

## Integrated door closer with electromechanical hold-open device

### Product features

- ▶ Closer sizes 2-4 and 3-6 EN 1154 A <sup>1)</sup>
- ▶ Closer fully integrated into door leaf
- ▶ Guide rail only visible during opening moment
- ▶ Closing force, closing speed, hydraulic latching force and hydraulic back check adjustable when installed



GEZE Boxer with E-guide rail in combination with smoke switch control unit RSZ 6

### Applications

- ▶ For right and left closing doors
- ▶ Closer size 2-4:
  - max. leaf weight approx. 130 kg
  - for leaf width up to 1100 mm
  - for leaf depth from 40 mm
- ▶ Closer size 3-6:
  - max. leaf weight approx. 180 kg
  - for leaf width up to 1400 mm
  - for leaf depth from 50 mm

### Version with electromechanical hold-open device <sup>1)</sup> /supplied as package

Integrated door closer GEZE Boxer complete with screw accessories and installation instructions. Also necessary: E-guide rail with lever and electromechanical hold-open device

<sup>1)</sup> Approved with well known smoke detectors (p.e. GEZE smoke switch control unit RSZ 6, Z-6.5-1755) by the DIBt, Berlin

### Specification text

Integrated door closer **GEZE BOXER E**, 24 V DC, for single action doors, leaf depth from 40 mm, according to EN 1154 A, **size 2-4**, with guide rail, with electromechanical hold-open device <sup>1)</sup> hold-open angle infinitely variable between 80° and 120° according to EN 1155, adjustable (when installed) closing speed, latching force and back check.

The closer is completely installed into the door leaf, the guide rail is only visible when the door is open.

For right and left closing doors, up to 130 kg leaf weight and up to 1100 mm leaf width.

Finish: silver

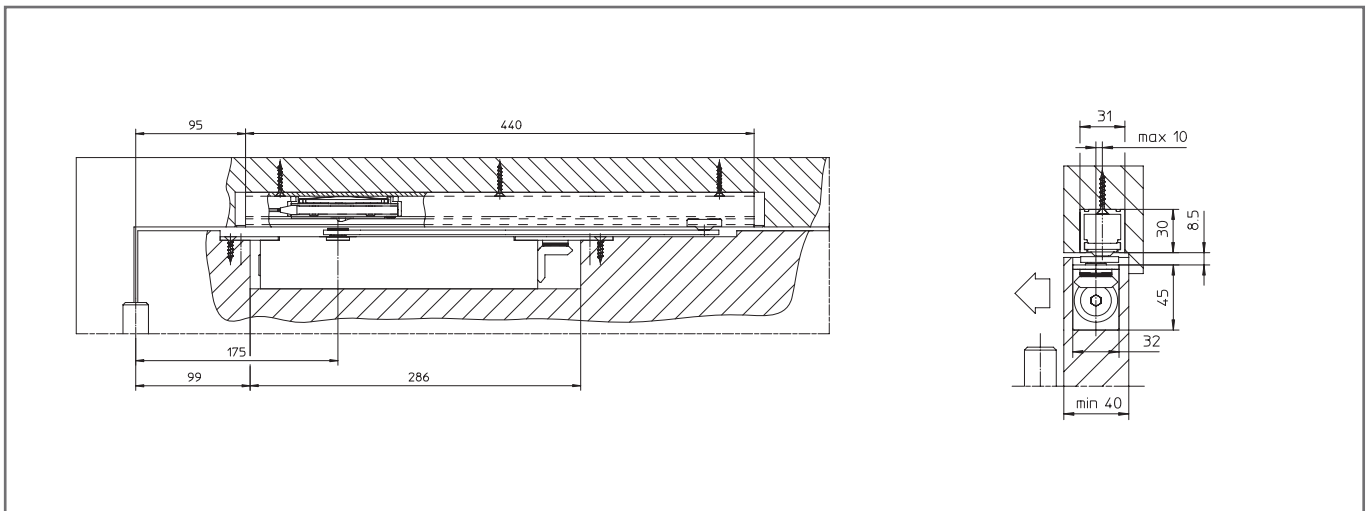
### Specification text

Integrated door closer **GEZE BOXER E**, 24 V DC, for single action doors, leaf depth from 50 mm, according to EN 1154 A, **size 3-6**, with guide rail, with electromechanical hold-open device <sup>1)</sup> hold-open angle infinitely variable between 80° and 120° according to EN 1155, adjustable (when installed) closing speed, latching force and back check.

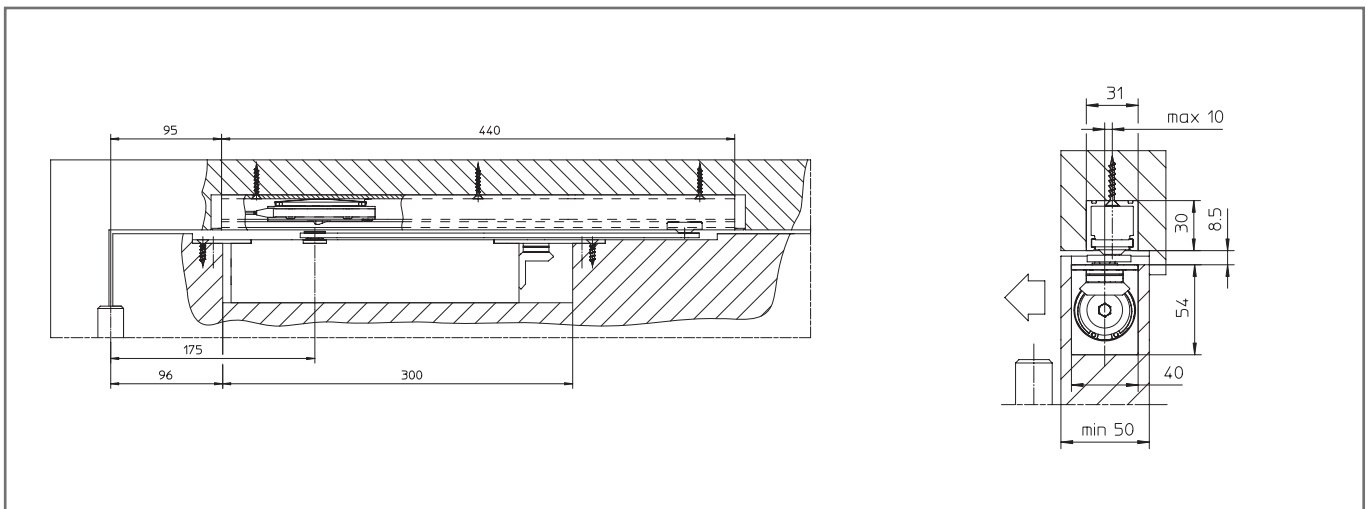
The closer is completely installed into the door leaf, the guide rail is only visible when the door is open.

For right and left closing doors, up to 180 kg leaf weight and up to 1400 mm leaf width.

Finish: silver



GEZE Boxer size 2-4 with E-guide rail Boxer with electromechanical hold-open device



GEZE Boxer size 3-6 with E-guide rail Boxer with electromechanical hold-open device

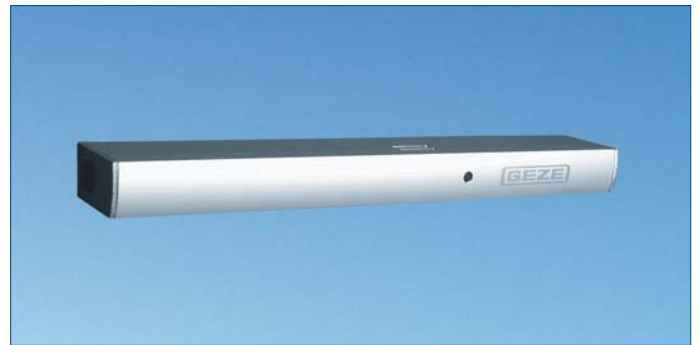
<sup>1)</sup> Approved with well known smoke detectors (p.e. GEZE smoke switch control unit RSZ6, Z-6.5-1755) by the DIBt, Berlin

# GEZE RSZ 6 smoke switch control unit, Certification No. Z-6.5-1755

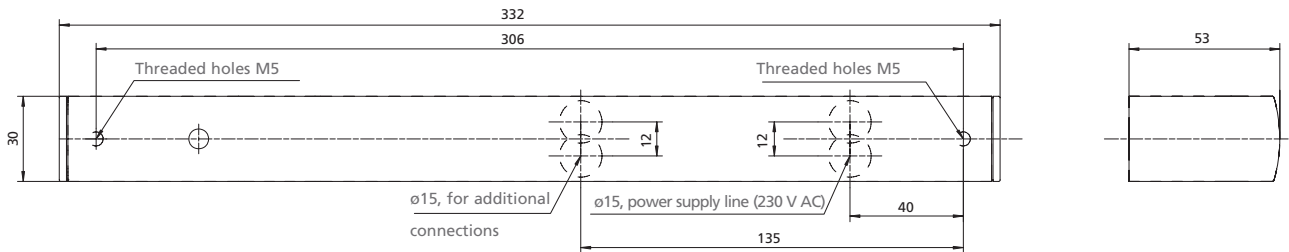
GEZE RSZ 6 smoke switch control unit with adaption of the alarm threshold and soiling indicator.

Finish: silver

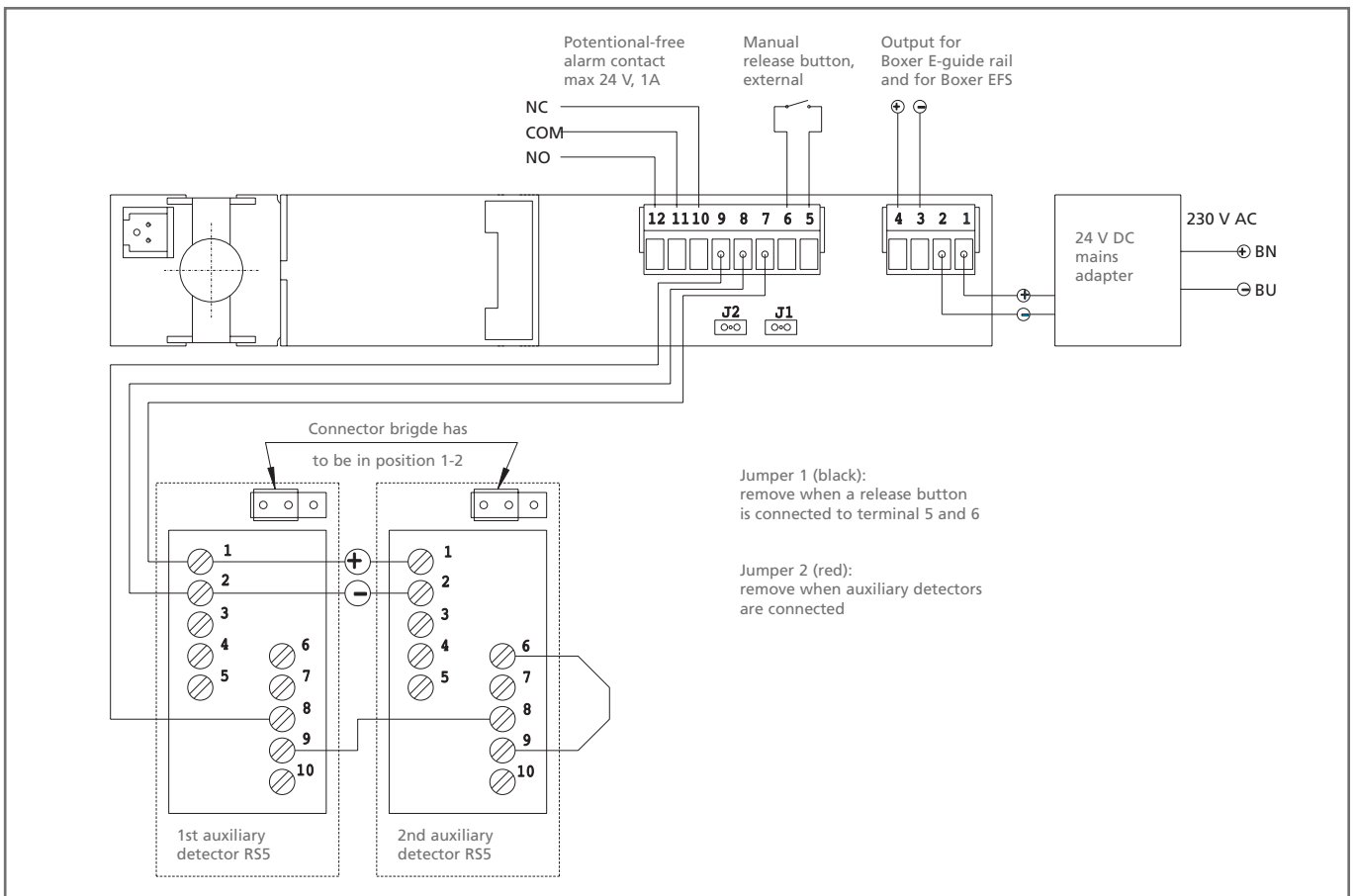
The smoke switch control unit RSZ 6 with integrated 24 V DC power supply unit is both a smoke detector for early detection of fire and also a smoke switch to actuate hold-open systems for fire protection barriers.



## Dimensions:



## Connection diagram: Boxer E-guide rail to smoke switch control unit RSZ 6





# GEZE Boxer EFS

## Integrated "free-swing" door closer



The integrated door closer GEZE Boxer is also equipped for the so-called "free-swing" function now.

The free-swing function is activated by opening the door to tense the closer spring once. This will ensure that the closer spindle is held in that position in the door closer through the electro-hydraulic hold-open mechanism.

The free-swing function makes it possible to use the door without the resistance from the closer, for closing and opening. This function is particularly important in hospitals, nursery schools and sheltered accommodation for the elderly or handicapped persons.

In case of fire, the door closes automatically, irrespective of the current angle of opening.

### GEZE Circuit breaker



**Surface-mounted version**  
61 x 61 x 22 mm (H x B x T)



**Flush-mounted version**  
81 x 81 x 13 mm (H x B x T)

### Product features

- ▶ Closer sizes 4 and 6 acc. to EN 1154 <sup>1)</sup>
- ▶ Closer fully integrated into door leaf, the guide rail is only visible when the door is open
- ▶ Closing speed and latching force adjustable (when installed) from top

### Applications

- ▶ For right and left closing doors
- ▶ Closer size 4:
  - max. leaf weight approx. 130 kg
  - for leaf width up to 1100 mm
  - for leaf depth from 40 mm
- ▶ Closer size 6:
  - max. leaf weight approx. 180 kg
  - for leaf width up to 1400 mm
  - for leaf depth from 50 mm

### Note:

Due to the guideline for determination plants of the DIBt (German Institution for Construction Technology) a circuit breaker is cogently stipulated when using a door closer with freeswing function.

<sup>1)</sup> Approved with well known smoke detectors (p.e. GEZE smoke switch control unit RSZ6, Z-6.5-1755) by the DIBt, Berlin



### Specification text

Integrated Free-Swing door closer **GEZE BOXER EFS EN4** for single action doors, leaf depth from 40 mm, according to EN 1155, size 4, with guide rail, with free-swing function, to be activated via the electro-hydraulic hold-open device by opening the door (approx. 90°) to tense the closer spring once; closing speed and latching force adjustable. The closer is completely installed into the door leaf, the guide rail is only visible when the door is open.

For right and left closing doors, up to 130 kg leaf weight and up to 1100 mm leaf width

Finish: silver

- GEZE Circuit breaker
- ( ) Surface-mounted
- ( ) Flush-mounted

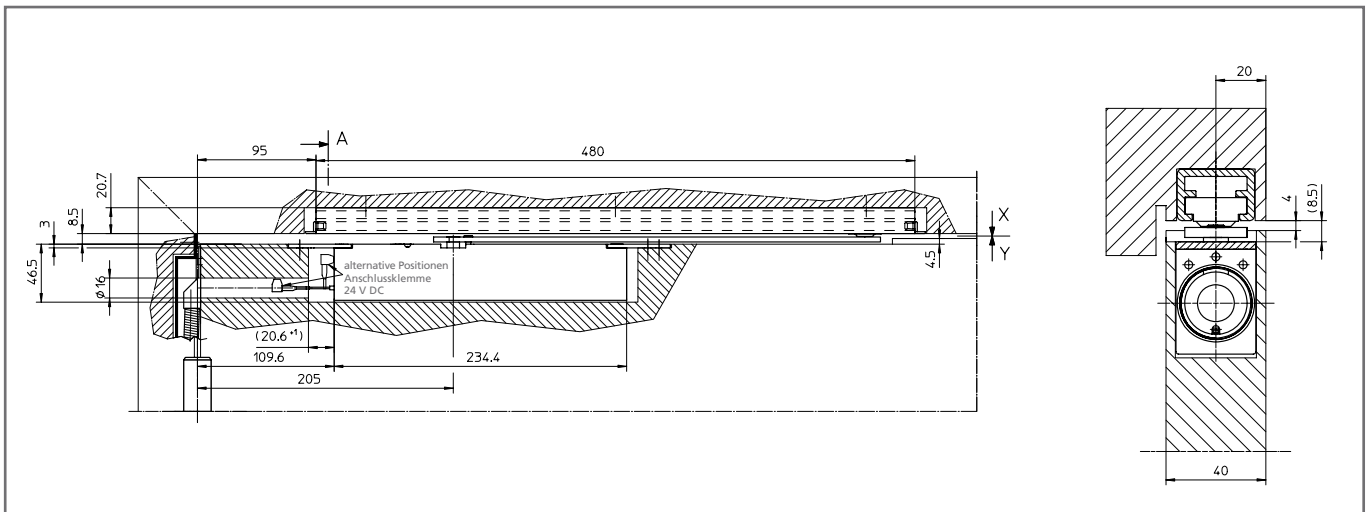
### Specification text

Integrated Free-Swing door closer **GEZE BOXER EFS EN6** for single action doors, leaf depth from 50 mm, according to EN 1155, size 6, with guide rail, with free-swing function, to be activated via the electro-hydraulic hold-open device by opening the door (approx. 90°) to tense the closer spring once; closing speed and latching force adjustable. The closer is completely installed into the door leaf, the guide rail is only visible when the door is open.

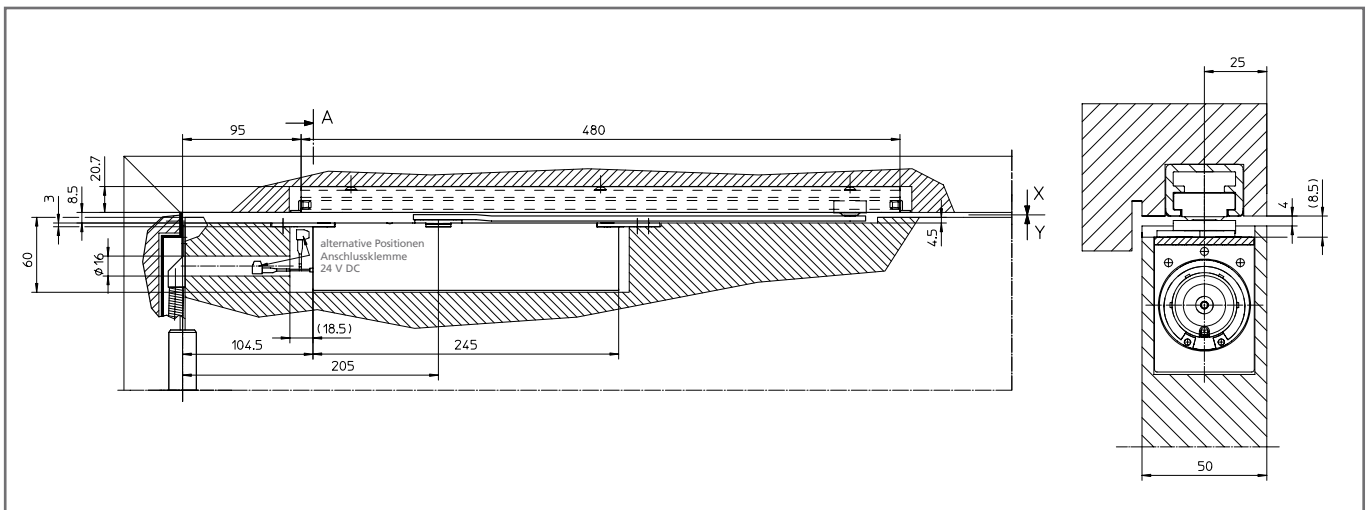
For right and left closing doors, up to 180 kg leaf weight and up to 1400 mm leaf width

Finish: silver

- GEZE Circuit breaker
- ( ) Surface-mounted
- ( ) Flush-mounted



Integrated free-swing door closer GEZE Boxer EFS EN4

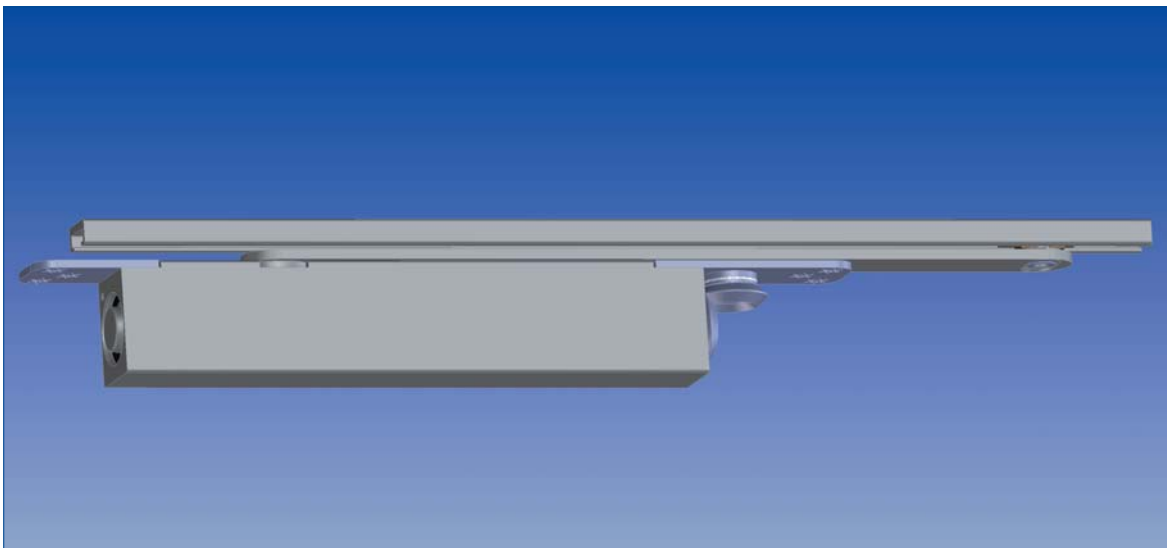


Integrated free-swing door closer GEZE Boxer EFS EN6



# GEZE Boxer P

## Integrated double-action door closer



### Product features

- ▶ Closer sizes 2-4 according to EN 1154
- ▶ The closer is completely installed into the door leaf, the guide rail is only visible when the door is open
- ▶ Adjustable (when installed) from top: closing force, closing speed and latching force

### Applications

- ▶ For double-action doors
- ▶ max. leaf weight approx. 80 kg
- ▶ door leaf width up to 1000 mm
- ▶ door leaf depth from 40 mm

### Specification text

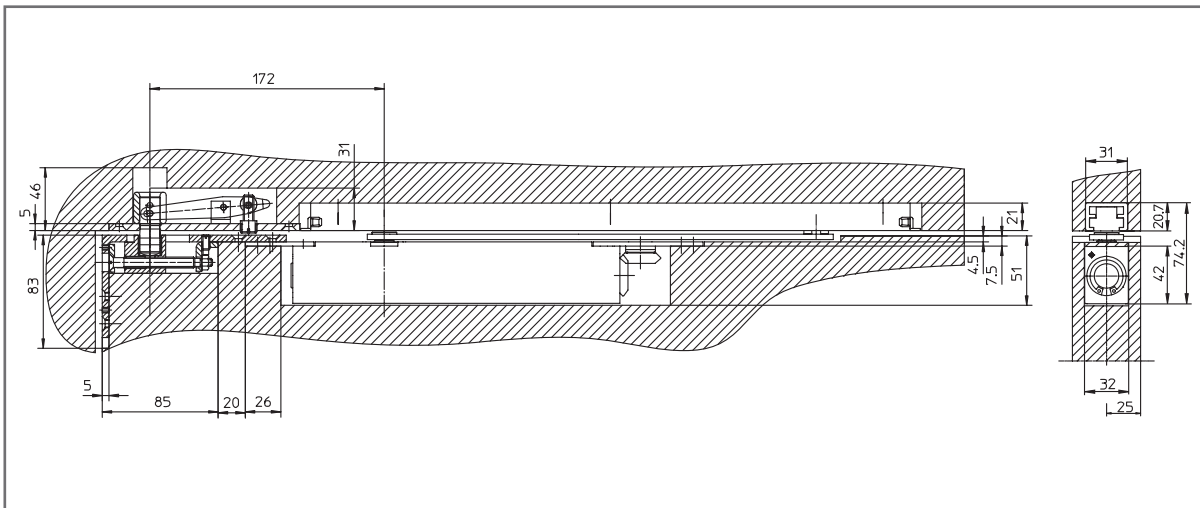
Integrated door closer **GEZE Boxer P** for double-action doors, leaf depth from 40 mm, according to EN 1154 A, size 2-4, with guide rail, adjustable (when installed) closing force, closing speed and latching force. The closer is completely installed into the door leaf, the guide rail is only visible when the door is open

Up to 80 kg leaf weight and up to 1000 mm leaf width

Optionally with:

- ( ) guide rail with mechanical hold-open device
- ( ) guide rail with electrical hold-open device

Finish: silver



Integrated double-action door closer GEZE Boxer P

## GEZE Boxer – Ordering text

Description	Finish	ID No.
GEZE Boxer size 2-4		099728
GEZE Boxer size 2-4 with an axis prolonged by 4 mm		101759
GEZE Boxer size 2-4 with an axis prolonged by 8 mm		101760
GEZE Boxer size 3-6		099735
GEZE Boxer size 3-6 with an axis prolonged by 4 mm		101761
GEZE Boxer size 3-6 with an axis prolonged by 8 mm		101762
Guide rail for Boxer, with lever	lever silver	095137
Guide rail for Boxer, with lever, with mechanical hold-open device	lever silver	095141
Guide rail for Boxer 30 mm, with lever	lever silver	112161
E-guide rail for Boxer, with lever, with electromechanical hold-open device	lever silver	098298
Guide rail for Boxer P, with lever	lever silver	104245
Guide rail for Boxer P, with lever, with mechanical hold-open device	lever silver	104246
E-guide rail for Boxer P, with lever, with electromechanical hold-open device	lever silver	104247

# GEZE BOXER



**GEZE GmbH**

P.O. Box 1363  
71226 Leonberg  
Germany

**GEZE GmbH**

Reinhold-Vöster-Straße 21-29  
71229 Leonberg  
Germany  
Telefon +49 (0)7152-203-0  
Telefax +49 (0)7152-203-310

**GEZE Online:**

[www.geze.com](http://www.geze.com)

**GEZE branch offices****Germany****GEZE GmbH**

Niederlassung Nord/Ost  
Bühringstraße 8  
13086 Berlin (Weissensee)  
Tel. +49 (0)30-47 89 90-0  
Fax +49 (0)30-47 89 90-17  
E-mail: [berlin.de@geze.com](mailto:berlin.de@geze.com)

**GEZE GmbH**

Niederlassung West  
Nordsternstraße 65  
45329 Essen  
Tel. +49 (0)201-83082-0  
Fax +49 (0)201-83082-20  
E-mail: [essen.de@geze.com](mailto:essen.de@geze.com)

**GEZE GmbH**

Niederlassung Mitte  
Adenauerallee 2  
61440 Oberursel (b. Frankfurt)  
Tel. +49 (0)6171-63610-0  
Fax +49 (0)6171-63610-1  
E-mail: [frankfurt.de@geze.com](mailto:frankfurt.de@geze.com)

**GEZE GmbH**

Niederlassung Süd  
Reinhold-Vöster-Straße 21-29  
71229 Leonberg  
Tel. +49 (0)7152-203-594  
Fax +49 (0)7152-203-438  
E-mail: [leonberg.de@geze.com](mailto:leonberg.de@geze.com)

**GEZE subsidiaries****Germany**

**GEZE** Sonderkonstruktionen GmbH  
Planken 1  
97944 Boxberg-Schweigern  
Tel. +49 (0)7930-9294-0  
Fax +49 (0)7930-9294-10  
E-mail: [sk.de@geze.com](mailto:sk.de@geze.com)

**GEZE** Service GmbH

Reinhold-Vöster-Straße 25  
71229 Leonberg  
Tel. +49 (0)7152-9233-0  
Fax +49 (0)7152-9233-60  
E-mail: [info@geze-service.com](mailto:info@geze-service.com)

**GEZE** Service GmbH

Niederlassung Berlin  
Bühringstraße 8  
13086 Berlin (Weissensee)  
Tel. +49 (0)30-470217-30  
Fax +49 (0)30-470217-33

**Europe****Benelux****GEZE** Benelux B.V.

Leemkuil 1  
Industrierterrein Kapelbeemd  
5626 EA Eindhoven  
Tel. +31 (0)40-26290-80  
Fax +31 (0)40-26290-85  
E-mail: [benelux.nl@geze.com](mailto:benelux.nl@geze.com)

**France****GEZE** France S.A.R.L.

ZAC de l'Orme Rond  
RN 19  
77170 Servon  
Tel. +33 (0)1-60626070  
Fax +33 (0)1-60626071  
E-mail: [france.fr@geze.com](mailto:france.fr@geze.com)

**Great Britain****GEZE** UK Ltd.

Blenheim Way  
Fradley Park  
Lichfield  
Staffordshire WS13 8SY  
Tel. +44 (0)1543-443000  
Fax +44 (0)1543-443001  
E-mail: [info@geze-uk.com](mailto:info@geze-uk.com)

**Italy****GEZE** Italia Srl

Via Giotto 4  
20040 Cambiago (MI)  
Tel. +39 02 95 06 95-11  
Fax +39 02 95 06 95-33  
E-Mail [italia.it@geze.it](mailto:italia.it@geze.it)

**GEZE** Engineering Roma Srl

Via Lucrezia Romana 91  
00178 Roma  
Tel. +39 06-7265311  
Fax +39 06-72653136  
E-mail: [gezeroma@libero.it](mailto:gezeroma@libero.it)

**GEZE** Engineering Bari Srl

Via Treviso 58  
70022 Altamura (Bari)  
Tel. +39 080-3115219  
Fax +39 080-3164561  
E-mail: [gezebari@libero.it](mailto:gezebari@libero.it)

**Austria****GEZE** Austria GmbH

Mayrwiesstraße 12  
5300 Hallwang b. Salzburg  
Tel. +43 (0)662-663142  
Fax +43 (0)662-663142-15  
E-mail: [austria.at@geze.com](mailto:austria.at@geze.com)

**Poland****GEZE** Polska Sp. z o.o.

ul. Annopol 3 (Zeran Park)  
03-236 Warszawa  
Tel. +48 (0)22-8142211  
Fax +48 (0)22-6142540  
E-mail: [geze@geze.pl](mailto:geze@geze.pl)

**Switzerland****GEZE** Schweiz AG

Bodenackerstrasse 79  
4657 Dulliken  
Tel. +41 (0)62-285 54 00  
Fax +41 (0)62-285 54 01  
E-mail: [schweiz.ch@geze.com](mailto:schweiz.ch@geze.com)

**Spain****GEZE** Iberia S.R.L.

Pol. Ind. El Pla  
C/ Comerc, 2-22, Nave 12  
08980 Sant Feliu de Llobregat  
(Barcelona)  
Tel. +34-(0)9-02 19 40 36  
Fax +34-(0)9-02 19 40 35  
E-mail: [iberia.es@geze.com](mailto:iberia.es@geze.com)

**Scandinavia****Sweden****GEZE** Scandinavia AB

Mallslingan 10  
Box 7060  
18711 Täby  
Tel. +46 (0)8-7323-400  
Fax +46 (0)8-7323-499  
E-mail:  [sverige.se@geze.com](mailto: sverige.se@geze.com)

**Norway****GEZE** Scandinavia AB avd. Norge

Postboks 63  
2081 Eidsvoll  
Tel. +47 (0)639-57200  
Fax +47 (0)639-57173  
E-mail: [norge.se@geze.com](mailto:norge.se@geze.com)

**Finland****GEZE** Finland

Branch office of GEZE Scandinavia AB  
Postbox 20  
158 71 Hollola  
Tel. +358 (0)10-400 51 00  
Fax +358 (0)10-400 51 20  
E-mail: [finland.se@geze.com](mailto:finland.se@geze.com)

**Denmark****GEZE** Denmark

Branch office of GEZE Scandinavia AB  
Møllehusene 3, 3. th.  
4000 Roskilde  
Tel. +45 (0)46-323324  
Fax +45 (0)46-323326  
E-mail:  [danmark.se@geze.com](mailto: danmark.se@geze.com)

**Middle East****U.A.E.****GEZE** Middle East

P.O. Box 17903  
Jebel Ali Free Zone  
Dubai  
Tel. +971 (0)4-8833112  
Fax +971 (0)4-8833240  
E-mail: [geze@emirates.net.ae](mailto:geze@emirates.net.ae)

**Asia****GEZE** Asia Pacific Ltd.

Unit 630, Level 6, Tower 2  
Grand Central Plaza  
138 Shatin Rural Committee Road  
Shatin, New Territories  
Hong Kong  
Tel. +852 (0)237-57382  
Fax +852 (0)237-57936  
E-mail: [info@geze.com.hk](mailto:info@geze.com.hk)

**GEZE** Industries (Tianjin) Co., Ltd.

Shuangchenzhong Road  
Beichen Economic Development  
Area (BEDA)  
Tianjin 300400, P.R. China  
Tel. +86 (0)22-26973995-0  
Fax +86 (0)22-26972702  
E-mail: [geze@public1.tpt.tj.cn](mailto:geze@public1.tpt.tj.cn)

**GEZE** Industries (Tianjin) Co., Ltd.

Branch Office Shanghai  
Dynasty Business Center  
Room 401-402  
No. 457 WuRuMuQi North Road  
200040 Shanghai, P.R. China  
Tel. +86-(0)21-52 34 09-60/-61-62  
Fax +86-(0)21-52 34 09-63  
E-mail: [gezesh@geze.com.cn](mailto:gezesh@geze.com.cn)

**GEZE** Industries (Tianjin) Co., Ltd.

Branch Office Guangzhou  
Room 1113, Jie Tai Plaza  
218-222 Zhong Shan Liu Road  
510180 Guangzhou  
P.R. China  
Tel. +86 (0)20-813207-02  
Fax +86 (0)20-813207-05  
E-mail: [gezegz@public2.sta.net.cn](mailto:gezegz@public2.sta.net.cn)

**GEZE** Industries (Tianjin) Co., Ltd.

Branch Office Beijing  
The Grand Pacific Building  
B Tower Room 201  
8 A, Guanghua Road  
Chaoyang District  
100026 Beijing, P.R. China  
Tel. +86-(0)10-65 81 57-32/-42/-43  
Fax +86-(0)10-65 81 57 33  
E-mail: [gezebj@geze.com.cn](mailto:gezebj@geze.com.cn)

**GEZE** Asia Sales Ltd.

No. 88-1-408, East Road  
Free Trade Zone of Tianjin Port  
Tianjin, P.R. China  
Tel. +86 (0)22-26 97 39 95-0  
Fax +86 (0)22 26 97 27 02  
E-mail: [geze@public1.tpt.tj.cn](mailto:geze@public1.tpt.tj.cn)

