

TS



GEZE TS 4000

Overhead rack and pinion door closer,
to EN 1154 A,
size range 1-6, size 7

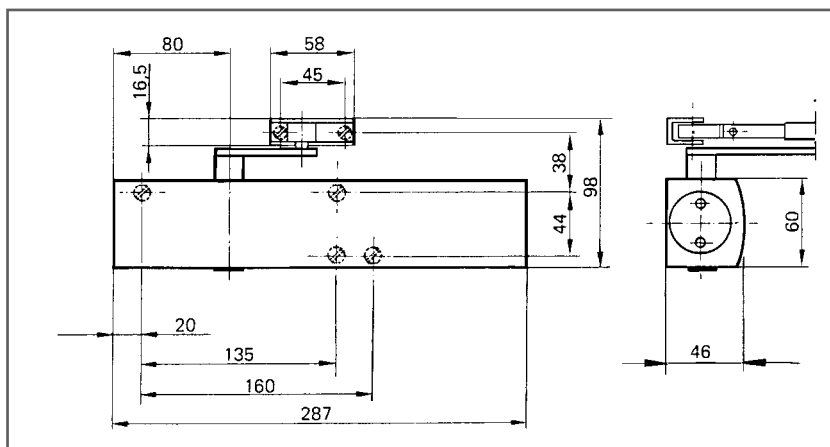
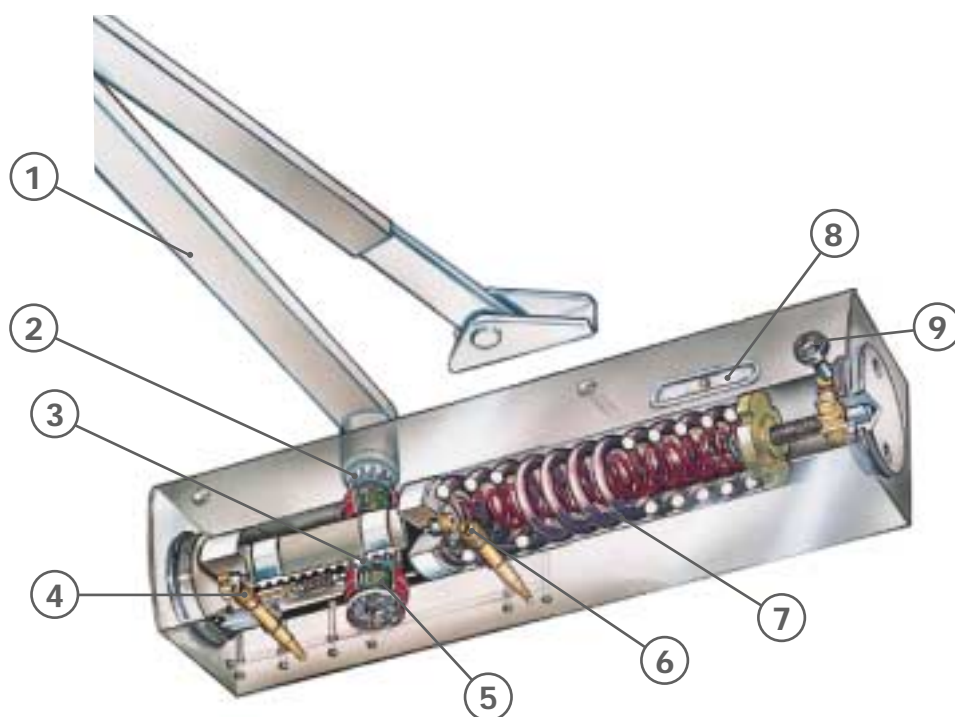
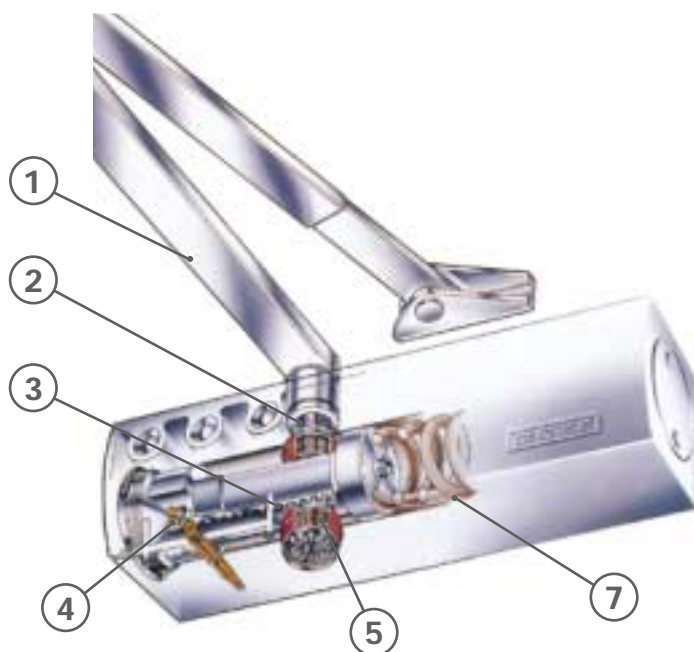


Fig. 10

Technology

GEZE TS 2000 V and GEZE TS 4000 door closers

- | | | |
|--------------------------|----------------------|---------------------------|
| 1 Link arm | 5 Needle bearing | 8 Closing force indicator |
| 2 Toothed spindle | 6 Backcheck adjuster | 9 Closing force adjuster |
| 3 Rack and pinion gear | 7 Spring | |
| 4 Closing speed adjuster | | |



TS 2000 V
TS 4000

4000

Product features

- ▶ Closing force (size range 1-6) adjustable from front
- ▶ Closer in only one construction size
- ▶ Optical size indicator (size 1-6)
- ▶ Adjustable backcheck (size 1-6)
- ▶ Adjustable, thermo-constant closing speed
- ▶ All functions adjustable at front
- ▶ Latching action adjusted via link arm
- ▶ Safety valve in open and close direction
- ▶ Body and link arm available in following colours: silver, dark bronze, white, RAL colours on request

Applications

- ▶ For single action doors
- ▶ Suitable for right and left closing doors, adjustment not necessary
- ▶ For smoke and fire doors with provision for DIN closer
- ▶ If the door closer is to be fitted to smoke and fire doors, a mounting plate is usually required
- ▶ Leaf width: Size 1-6 up to 1400 mm, Size 7 1400 to 1600 mm

Standard version/ package

GEZE TS 4000 closer complete with link arm, screw accessories, fitting template (mounting plate not included)

TS 4500 version

A cover cap with the following finishes is available for the closer: silver, dark bronze, white, polished brass, stainless steel, RAL colours on request

Link arms are also available with the following finishes: silver, dark bronze, white, stainless steel effect, RAL colours on request

Special versions (Size range 1-6) only

GEZE TS 4000 With hold-arm link arm¹⁾ effective for door opening angles up to max. 150°

GEZE TS 4000 With delayed closing

Door closer size EN	Door leaf width to EN (mm)
1 ¹⁾	to 750
2 ¹⁾	up 750 to 850
3	up 850 to 950
4	up 950 to 1100
5	up 1100 to 1250
6	up 1250 to 1400
7	up 1400 to 1600

¹⁾ According to EN these sizes must not be used for fire doors

Explanations

Building standards stipulate that the appropriate closer size (closing force) must be chosen corresponding to the width of the door. A higher size must be selected if required due

to structural (height and / or weight of door) or local conditions

The **GEZE TS 4000** covers several door closer sizes in one housing. These sizes can

be adjusted using an adjustment screw

The selected size can be read on the indicator

¹⁾ Not permitted for use on fire or smoke protection doors.

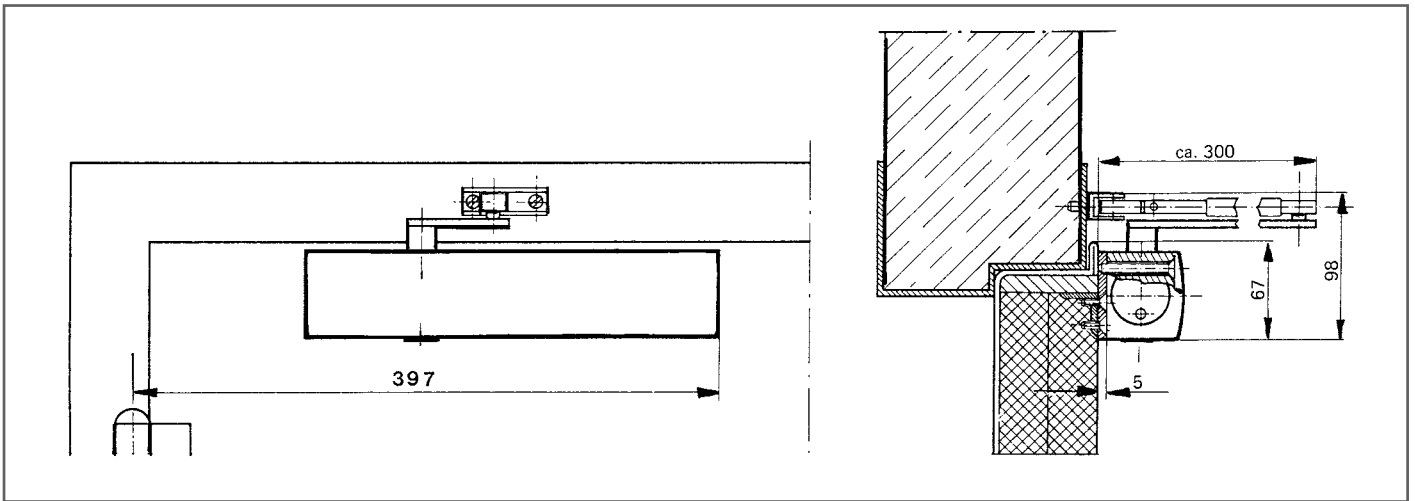


Fig. 11

Standard installation

Sample installation of **GEZE TS 4000** with mounting plate.
See fig. 11

Installation with mounting plate

Mounting plate, 5 mm deep, hole pattern as per DIN EN 1154, appendix 1 for doors where direct installation is not possible.
See fig. 12.

Mounting dimensions for left closing door as per fig. 13

Mounting dimensions for right closing door as per fig. 14

Direct installation¹⁾

Mounting dimensions for left closing door as per fig. 15

Mounting dimensions for right closing door as per fig. 16

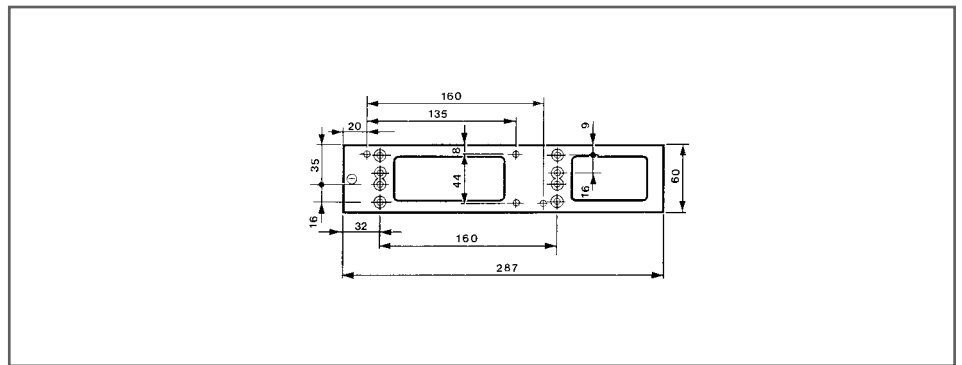


Fig. 12

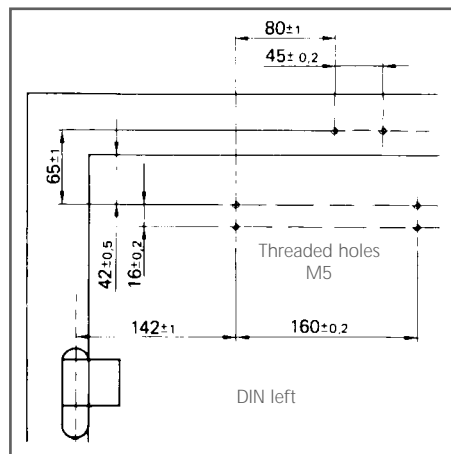


Fig. 13

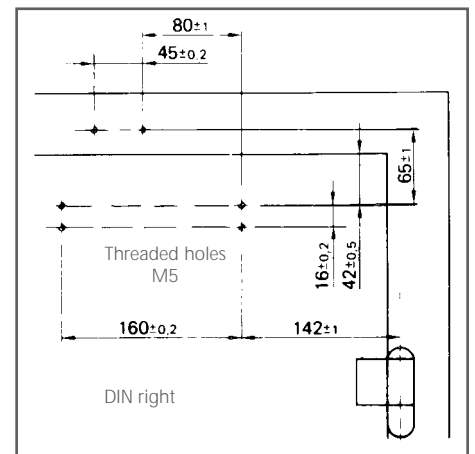


Fig. 14

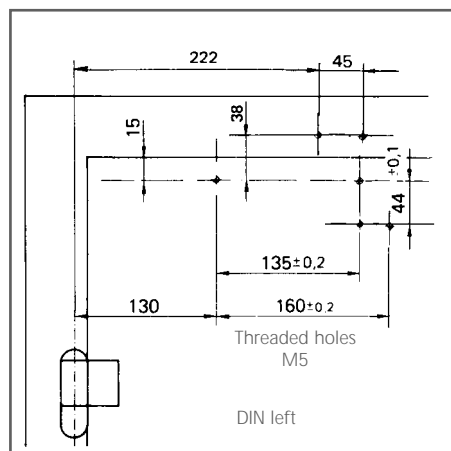


Fig. 15

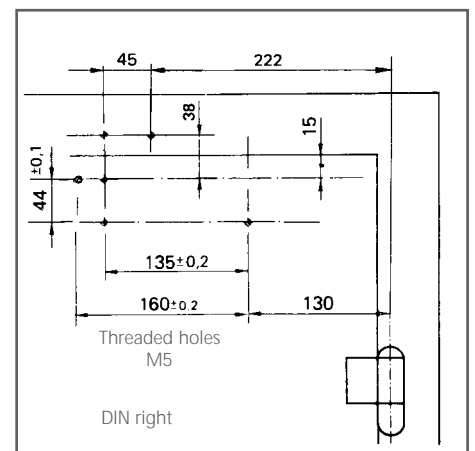


Fig. 16

¹⁾ Not permitted for use on fire or smoke protection doors

Overhead rack and pinion door closer

GEZE TS 4000

Ordering text

Description	Finish	ID No.
GEZE TS 4000 size 1–6, without link arm	silver	027835
	dark bronze	027836
	white RAL 9010	031229
	white RAL 9016	027837
	RAL colour	027838
GEZE TS 4000 , size 7 ³⁾ with standard link arm	silver	027776
	dark bronze	027779
	white RAL 9010	031235
	white RAL 9016	027781
GEZE TS 4000 , size 1–6, version for use in wet con- ditions with standard link ³⁾	silver	027763
	RAL colour	–
Standard link	silver	009464
	dark bronze	009465
	white RAL 9010	031231
	white RAL 9016	009466
	stainless steel effect	027131
Extended arm	silver	009467
	dark bronze	009467
	white RAL 9010	059950
	white RAL 9016	059951
	white RAL 9016	031232
Hold open arm ¹⁾ can be enabled / disabled	white RAL 9016	008960
	silver	028777
	dark bronze	028778
	white RAL 9010	031233
	white RAL 9016	028779
	RAL colour	028780

Mounting material

Description	Finish	ID No.
Mounting plate , hole pattern as per DIN EN 1154, appendix 1 for fire and smoke protection doors or doors where direct installation is not possible.	silver	049185
	dark bronze	052351
	white RAL 9010	031236
	white RAL 9016	068627
	galvanised steel	057956
	RAL colour	029176
Lintel angle bracket for transom mounting on side opposite hinge with deep soffit	silver	049240
	dark bronze	052352
Clamping plate for plate glass doors	silver	057126
	dark bronze	057127
	white RAL 9016	009491
	RAL colour	009494
Frame plate for parallel arm mounting	silver	053318
	dark bronze	053319
Mounting plate for segmental arch door (max. arch height 130 mm)	silver	058782
	dark bronze	058783
Drilling template	–	053134

Accessories

Description	Length (mm)	Finish	ID No.
Cover caps to GEZE TS 4500		silver	067724
		dark bronze	067725
		white RAL 9010	031212
		white RAL 9016	067726
		polished brass	072698
		stainless steel	072696
		RAL colour	000756
Serrated spindle extensions ²⁾	5	galvanised	052332
	10	galvanised	052333
	15	galvanised	052334
	20	galvanised	052335
	5	black chromated	052494
	10	black chromated	052495
	15	black chromated	052496
	20	black chromated	052497

Product description

Overhead door closer
GEZE TS 4000,
 size 1–6, size 7 as per
 EN 1154 A
 Closing force, closing
 speed and backcheck
 adjustable from the
 front. With visual size
 indicator and mounting
 plate
 With visual size indicator
 for closing speed and
 backcheck, alternatively
 with mounting plate

Finish:
 silver
 dark bronze
 white
 RAL

1) Not permitted for use on fire or smoke protection doors

2) Only permitted for smoke and fire doors if the intended use is listed in the approval notification of the door.

3) Cannot be used with hold-open arm.