

TS 550

GEZE TS 550

Floor spring for single action and double action doors, size 2-5 to EN 1154

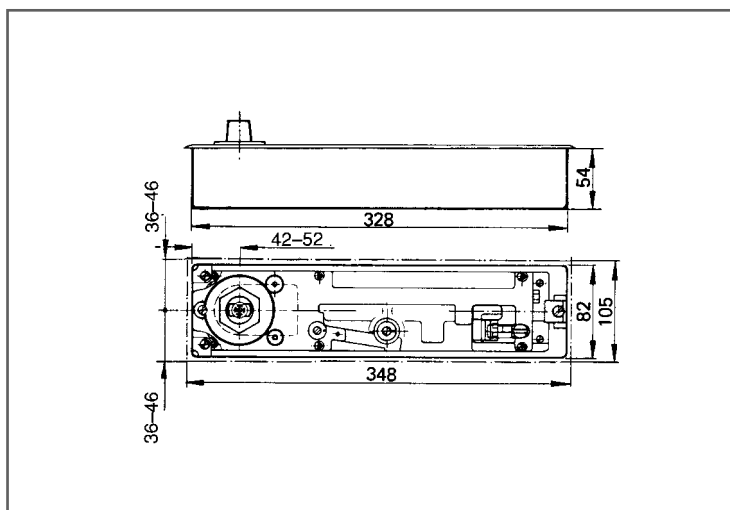
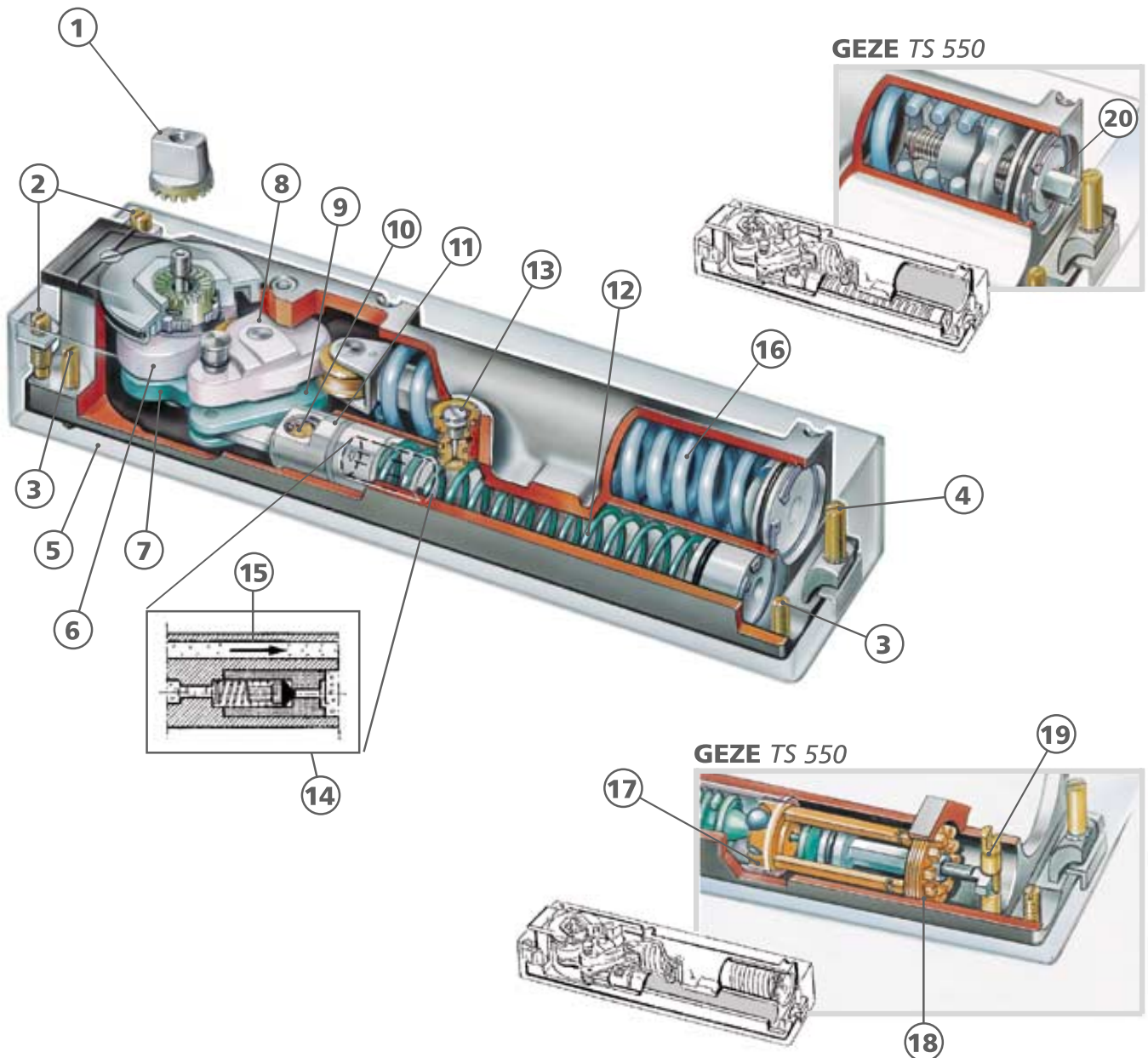


Fig. 5

Technology

Floor spring **GEZE TS 500** and **TS 550**

- | | | |
|------------------------------|-----------------------------|-----------------------------|
| 1 Toothed spindle | 9 Piston pivot lever | 18 Hold-open adjustment |
| 2 Clamping screw | 10 Oil screen | 19 Hold-open: ON/OFF |
| 3 Height adjustment screw | 11 Piston | 20 Closing force adjustment |
| 4 Fixing screw | 12 Spring for piston return | |
| 5 Cement box | 13 Regulating valve | |
| 6 Radial cam closing force | 14 Safety valve | |
| 7 Radial cam, hydraulic unit | 15 Oil return channel | |
| 8 Spring pivot lever | 16 Closing spring | |
| | 17 Ball ring for hold-open | |



Product features

- ▶ Closing force adjustable from outside, size 2-5 to EN 1154
- ▶ Closer in only one construction size
- ▶ Infinitely variable hold-open, can be enabled and disabled (80°-120°)
- ▶ Backcheck
- ▶ Adjustable closing speed
- ▶ Safety valve preventing deliberate overloading
- ▶ Closing range from approx. 170°
- ▶ Large adjustment range:
Height: 6 mm
Lateral: 10 mm
Length: 10 mm
- ▶ Galvanised cement box

Applications

- ▶ For right and left hand single action doors
- ▶ For double action doors
- ▶ For leaf widths up to 1250 mm
- ▶ For leaf weights up to 250 kg

Standard version/package

Floor spring complete with flat-conical spindle, cement box, and mounting instructions (cover plate not included).

Special version

GEZE TS 550 with fixed hold-open 120° - 150° (5°-steps)

GEZE TS 550 with delayed closing

If the **TS 550** is to be used in wet environments, it is advisable to fill the cavity between the closer and the cement box with a special sealing compound.

1 Canister of sealing compound, ID No. 058879

Cover plates

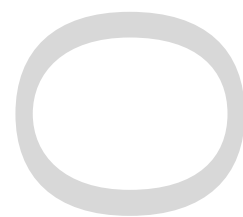
Various cover plates (which can be used for both right and left hand doors) with screw accessories are available for **GEZE TS 550**.

Material:

- ▶ Stainless steel
- ▶ Dark bronze
- ▶ Satin brass

Pivot lever / Guide rail

- ▶ For the installation of the floor spring a special pivot lever and guide rail with a pivot point of 36 mm is required
- ▶ See separate **GEZE Accessories** brochure



Standard installation

Example showing the installation of a door rail, upper pivot, and **GEZE TS 550** for a single action door, see Fig. 6.

Installation drawings are available for currently used profiles.

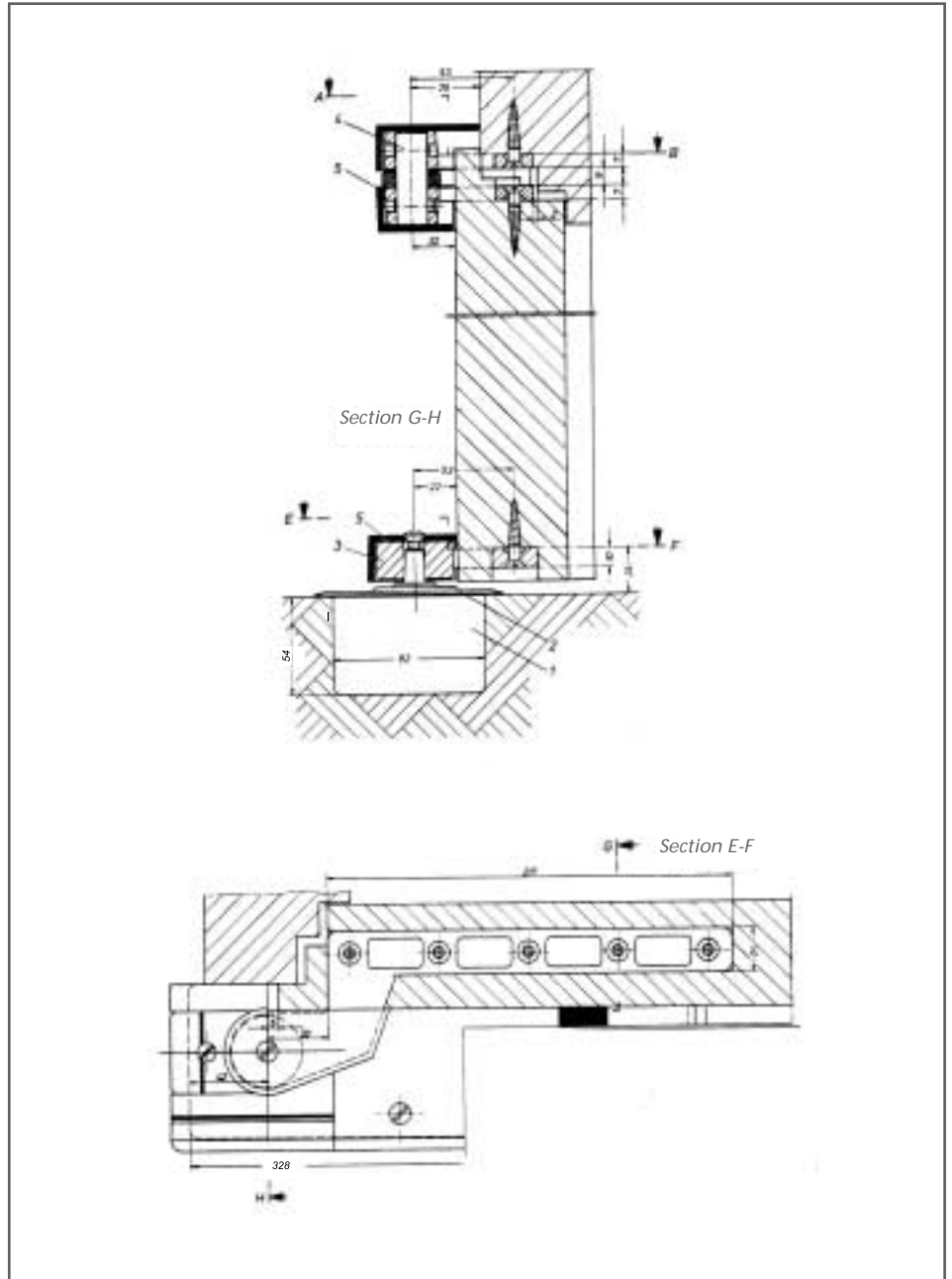


Fig. 6

Door rail model	S	H
(see Fig. 7)		
DM	16 mm	27 mm
DB, EK, FK	10 mm	24 mm
CM	19 mm	29 mm
C	19 mm	29 mm

If spindle extensions are used, the installation dimension for height "H" is increased by the length of the spindle extension.

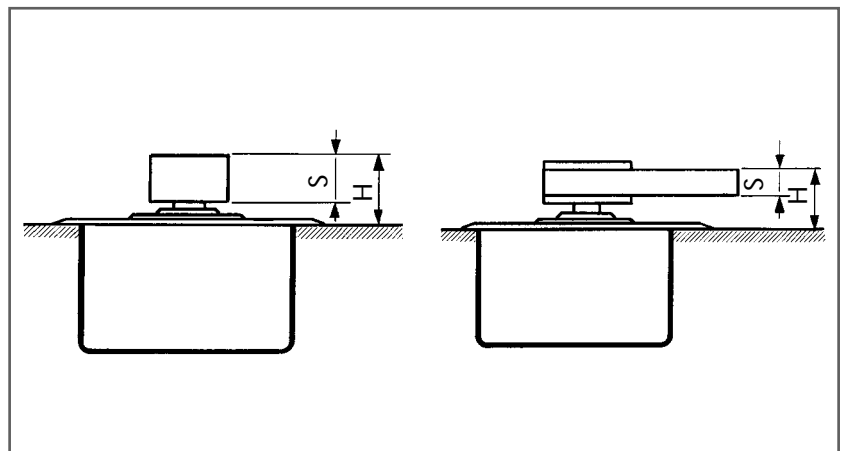


Fig. 7

Ordering text

Description	Hold open angle	ID No.
GEZE TS 550 floor mounted door closer for single action and double action doors	–	057887
GEZE TS 550 with fixed hold-open ¹⁾	120°	024900
	125°	000831
	130°	000832
	135°	000833
	140°	000834
	145°	000836
	150°	000837
GEZE TS 550 with delayed closing	–	020870

¹⁾ The specified hold-open angle applies to single action doors. With double action doors, each hold-open angle is 5° greater.
Example: A **GEZE TS 550** with 85° hold-open will have a hold-open of 90° if used as floor spring for double action doors.

Accessories

Description	Length (mm)	Finish	ID No.
Cover plate for GEZE TS 550		stainless steel	057766
		dark bronze	057769
		satin brass	057767
Toothed spindle extensions ¹⁾	5		010337
	8		050930
	10		010338
	13		052170
	15		010347
	20		010372
	25		010373
	28		050931
	30		010374
	35		010377
	40		010378
	45		010381
50		010385	

¹⁾ The use of an extended spindle may become necessary depending on the mounting position.
The original TS 550 spindle can be unscrewed and replaced with a longer version effortlessly.

Feature

Floor spring **GEZE TS 550** size 2–5 as per EN 1154 with infinitely variable hold-open, which may be enabled or disabled. Adjustable closing force and closing

speed for single and double-action doors with stainless steel cover plate.