

GEZE TS 3000 V / SYSTEM TS 5000

GEZE TS 5000

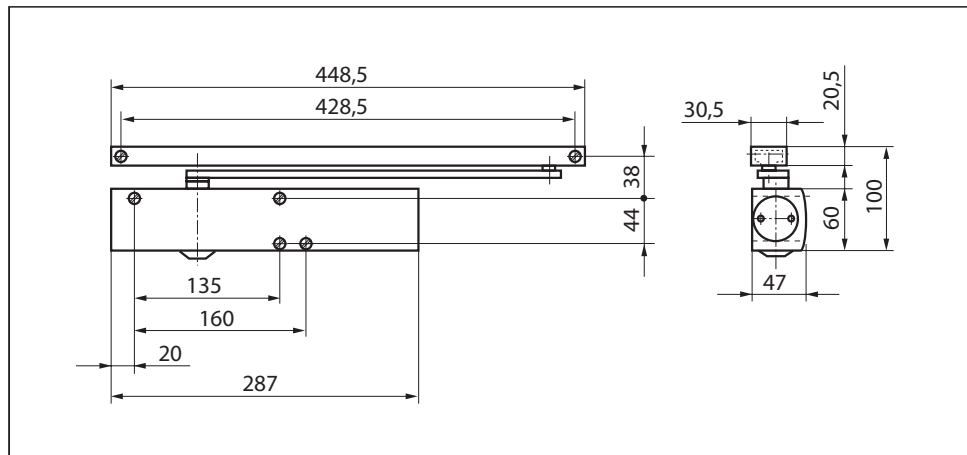
Guide rail door closer for single-leaf doors with up to 1400 mm leaf width

The TS 5000 overhead door closer stands for clear, clean lines and diverse system variations. It is for single-leaf right and left-hand single-action doors with large leaf widths up to 1400 mm and approved for use on fire and smoke doors. The closing force, size 2-6 to EN 1154, like the thermo-control closing speed, the hydraulic end stop and the backcheck can be effortlessly adjusted from the front when installed. Thanks to the visual size display the set closing force is easy to check.

Special versions:

- GEZE TS 5000 with mechanical hold-open, continuously adjustable between 80° and 130° (not approved for use on fire and smoke doors)
- GEZE TS 5000 S door closer with delayed closing adjustable from the front

GEZE TS 5000



Applications

- For single-action doors, leaf width up to 1400 mm
- Can be used for both right and left-hand doors without conversion
- For fire doors (door closer with mounting plate)

Closer technical data:

Product features	GEZE TS 5000 closer	GEZE TS 5000 S closer	GEZE TS 5000 L closer
Closing force to EN1154		2 - 6	
Recommended leaf width, up to		1400 mm	
Same version for left and right-hung doors	●	●	●
Product tested to	Door closer tested to EN1154		
Fire door suitability	●	●	●
Mounting plate with hole pattern to EN1154 supplement	●	●	●
Length		287 mm	
Overall depth		47 mm	
Height		60 mm	
Functions			
Adjustable closing force		Yes, continuously	
Adjustable closing speed	●	●	●
Adjustable end stop		Yes, via valve	
Integrated backcheck		Yes, hydraulically adjustable	
Integrated delayed closing		●	
Position of closing force adjustment		Front	
Visual display of the closing force	●	●	●
Safety valve against wilful damage	●	●	●
Thermo-control valves	●	●	●

Guide rail technical data:

Product features	Guide rail TS 5000/3000, adjustable height	Guide rail TS 5000/3000	T-STOP guide rail TS 5000/3000
Length	448.5 mm	448.5 mm	452.5 mm
Overall depth	30.5 mm	30.5 mm	33 mm
Height	20.5 mm	20.5 mm	30 mm
Functions			
Integrated opening restrictor	○	○	●
Integrated hold-open	○	○	○
Height correction possible	●		

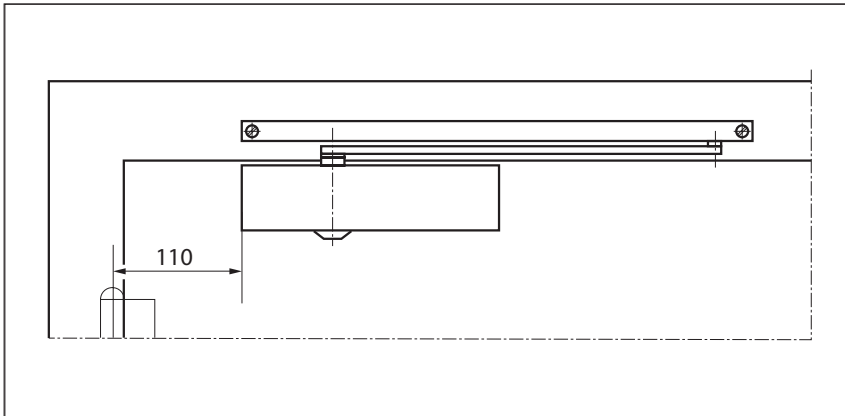
○ = optional

● = standard

GEZE TS 3000 V / SYSTEM TS 5000

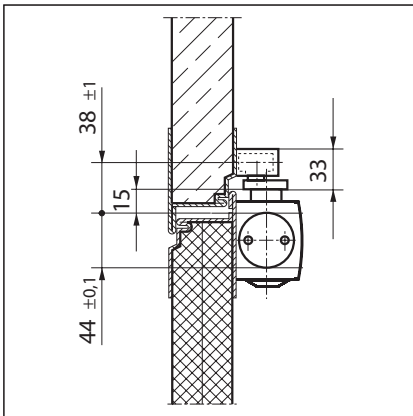
Door leaf mounting/hinge side TS 5000

View

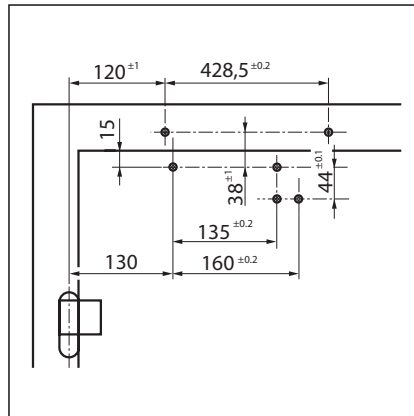


Mounting example of the GEZE TS 5000

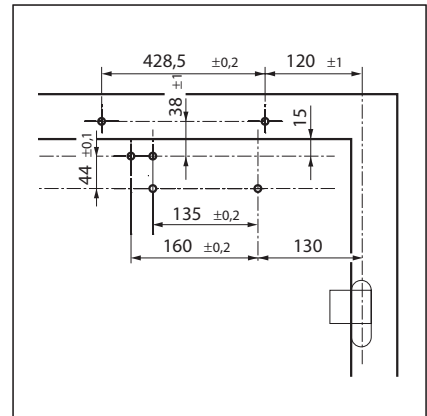
Direct mounting



Section = direct mounting

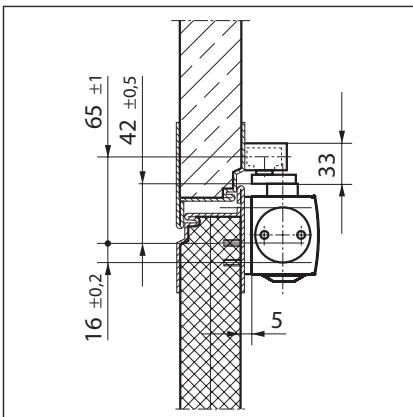


Fitting dimensions, left-hand door

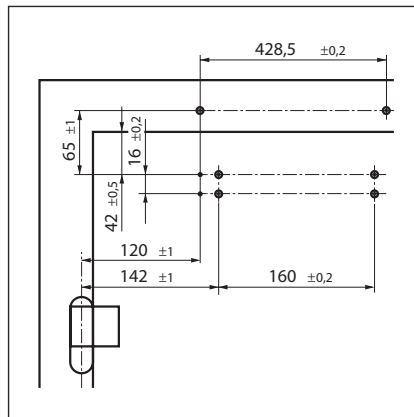


Fitting dimensions, right-hand door

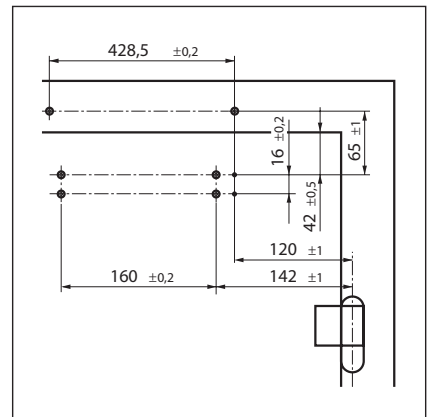
Mounting with mounting plate



Section = mounting with mounting plate

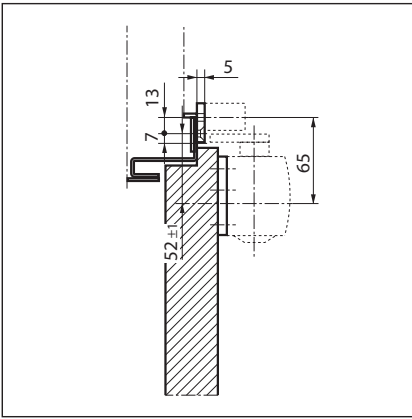


Fitting dimensions, left-hand door

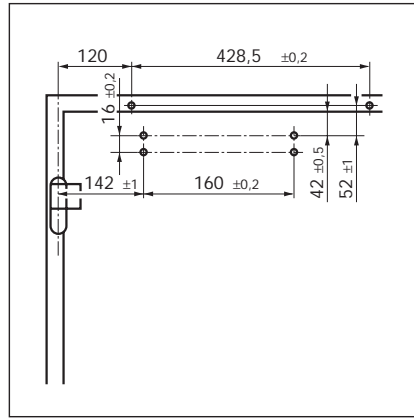


Fitting dimensions, right-hand door

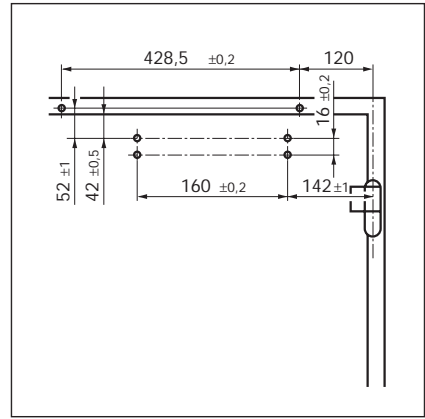
Mounting on narrow door frames



Section = mounting with mounting plate



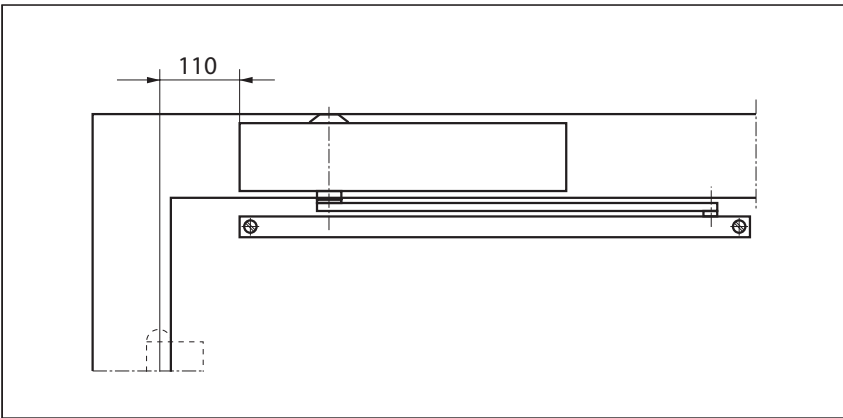
Fitting dimensions, left-hand door



Fitting dimensions, right-hand door

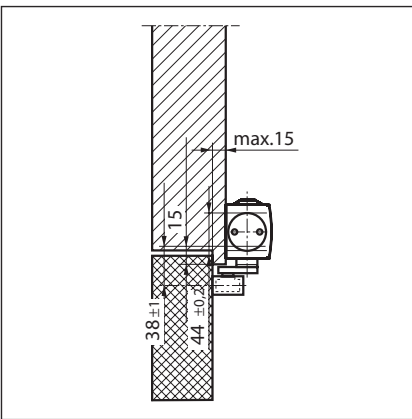
Frame mounted/opposite the hinge side TS 5000 (backcheck ineffective)

View

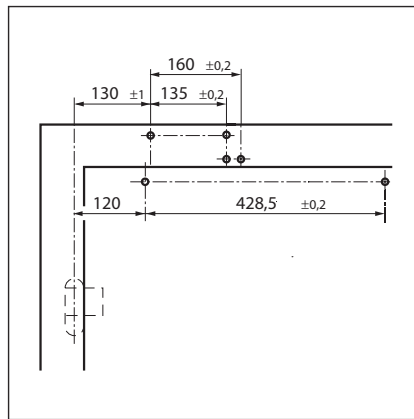


Mounting example of the GEZE TS 5000

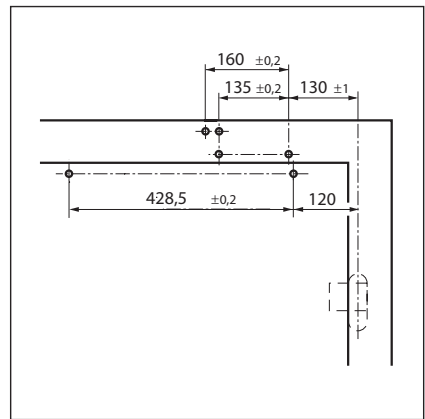
Direct mounting



Section = direct mounting



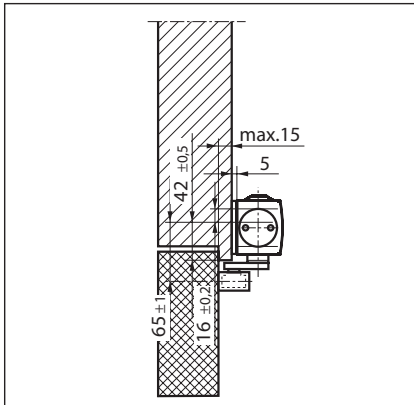
Fitting dimensions, right-hand door



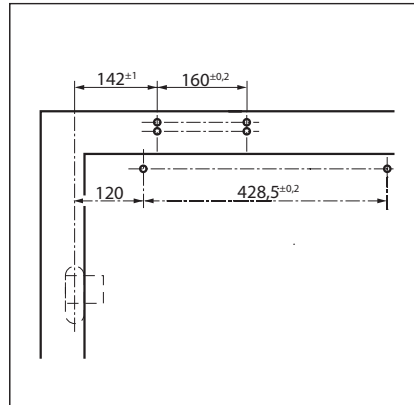
Fitting dimensions, left-hand door

GEZE TS 3000 V / SYSTEM TS 5000

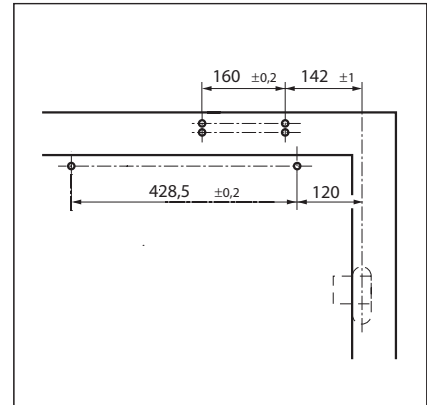
Mounting with mounting plate



Section = mounting with mounting plate



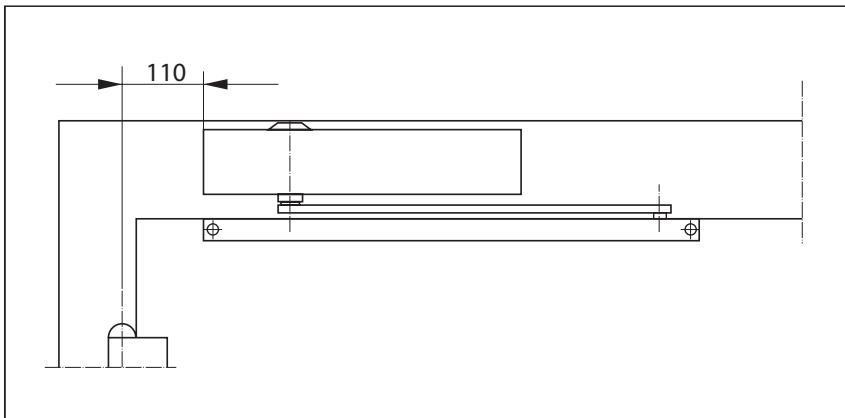
Fitting dimensions, right-hand door



Fitting dimensions, left-hand door

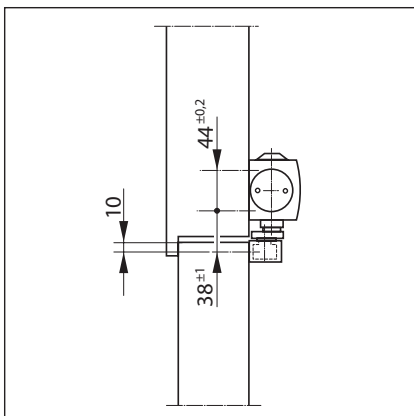
Frame mounted/hinge side TS 5000 L

View

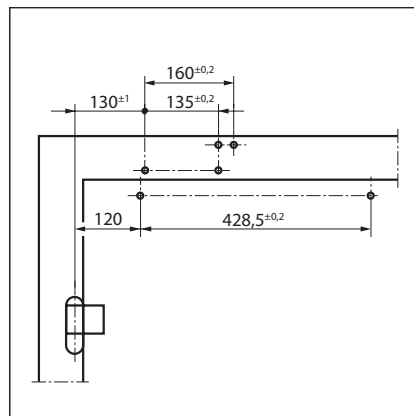


Mounting example of the GEZE TS 5000 L

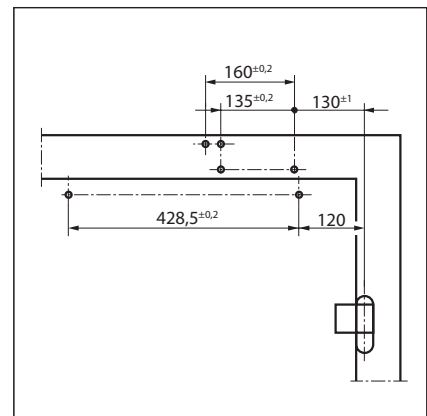
Direct mounting



Section = direct mounting

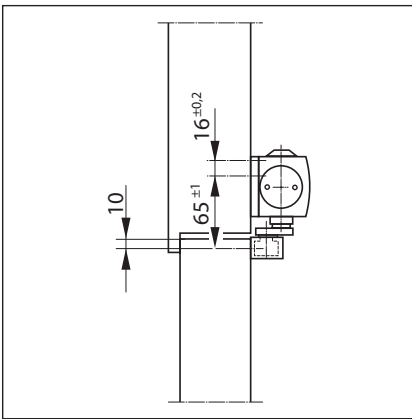


Fitting dimensions, left-hand door

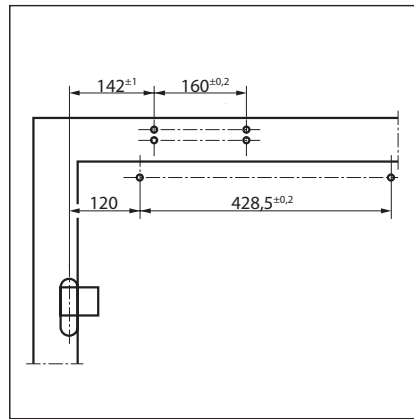


Fitting dimensions, right-hand door

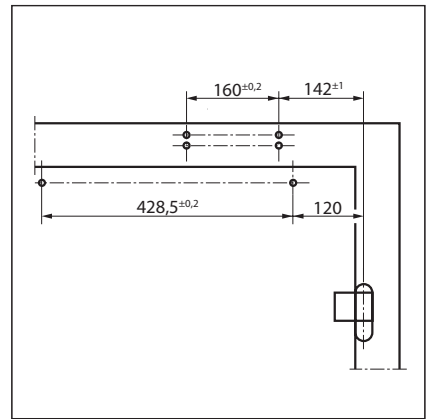
Mounting with mounting plate



Section = mounting with mounting plate



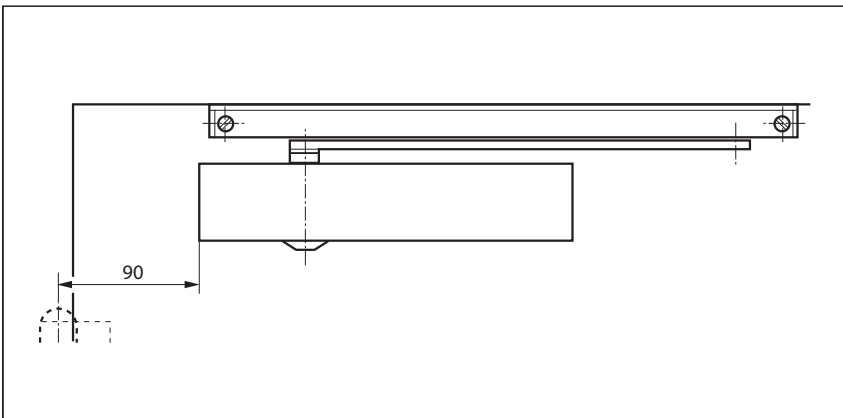
Fitting dimensions, left-hand door



Fitting dimensions, right-hand door

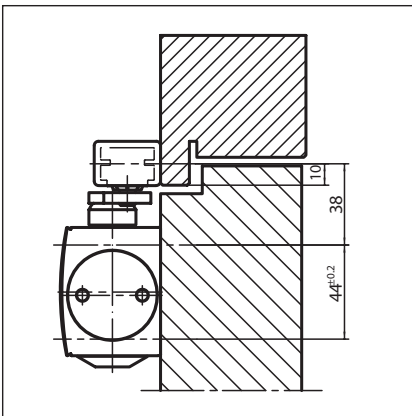
Door leaf mounting/opposite the hinge side TS 5000 L

View

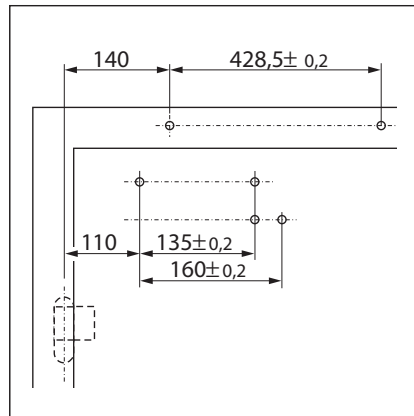


Mounting example of the GEZE TS 5000 L

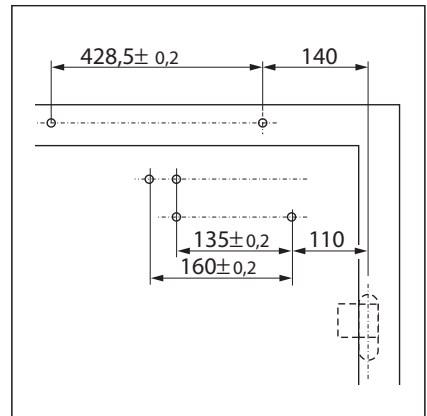
Direct mounting



Section = direct mounting

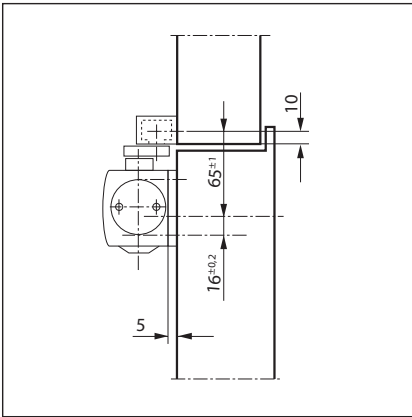


Fitting dimensions, left-hand door

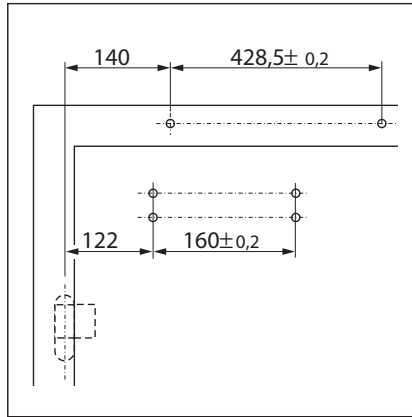


Fitting dimensions, right-hand door

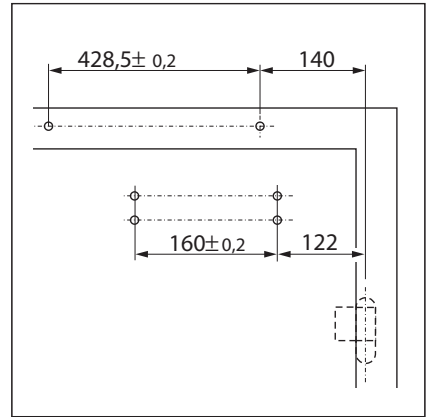
Mounting with mounting plate



Section = mounting with mounting plate

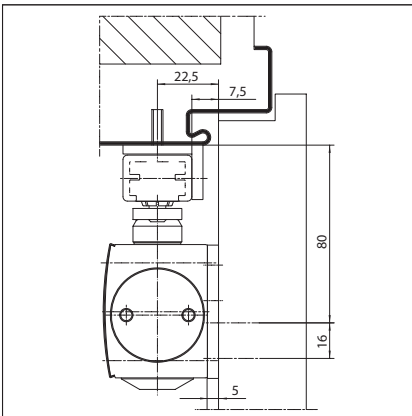


Fitting dimensions, left-hand door



Fitting dimensions, right-hand door

Mounting with lintel casing bracket



Section = mounting with mounting plate and lintel casing bracket

GEZE TS 5000 - order information

Description	Version	ID. No.
GEZE TS 5000 closer Size EN 2-6, with backcheck (without guide rail and lever)	dark bronze	027334
	to RAL ²⁾	027336
	white RAL 9016	027335
GEZE TS 5000 S closer Size EN 2-6, with delayed closing and backcheck (without guide rail and lever)	silver	027333
	dark bronze	107936
	to RAL ²⁾	107938
GEZE TS 5000 L closer Size EN 2-6, with backcheck (without guide rail and lever)	silver	107935
	white RAL 9016	107937
	dark bronze ²⁾	029399
Guide rail TS 5000/3000, adjustable height Height adjustment +/- 2 mm, with lever	to RAL ²⁾	027352
	silver ²⁾	027351
	white RAL 9016 ²⁾	029400
Guide rail BG TS 5000/3000, adjustable height Height adjustment +/- 2 mm, with lever, use for closer mounted on leaf, side opposite hinge	to RAL ²⁾	115192
	silver	115191
Guide rail TS 5000/3000 Standard, with lever	to RAL ²⁾	115194
	silver	115193
	dark bronze	068222
	to RAL ²⁾	000773
	Stainless steel effect ¹⁾	014945
Guide rail BG TS 5000/3000 Standard, with lever, use for closer mounted on leaf, side opposite hinge	silver	068221
	white RAL 9016	015695
	to RAL ²⁾	025656
	Stainless steel effect ¹⁾	028732
	silver	025655
T-STOP guide rail TS 5000/3000 with integrated opening restrictor and lever	white RAL 9016	029404
	to RAL ²⁾	102365
	Stainless steel effect ¹⁾	102364
	silver	102363
T-STOP guide rail BG TS 5000/3000 with integrated opening restrictor and lever, use for closer mounted on leaf, side opposite hinge	white RAL 9016	108481
	to RAL ²⁾	102368
	Stainless steel effect ¹⁾	102367
	silver	102366
	white RAL 9016	108482

GEZE TS 3000 V / SYSTEM TS 5000

Installation materials		
Door closer drilling template for TS 5000/4000/3000/2000		053134
Door closer clamping plate for glass doors for TS 5000/TS 4000	dark bronze	057127
	to RAL ²⁾	009494
	white RAL 9016	009491
All-glass door mounting and counter plate for TS 5000/TS 4000	silver	057126
	dark bronze	007924
	to RAL ²⁾	007926
Guide rail mounting plate for Standard / T-STOP / EFS guide rail	silver	007923
	to RAL ²⁾	104515
	white RAL 9016	129252
Door closer mounting plate for TS 5000/4000 with drilling pattern to EN 1154 supplement 1	silver	001512
	silver	049185
	dark bronze	052351
Lintel casing bracket, guide rail BG for TS 5000/TS 4000	to RAL ²⁾	029176
	galvanised	057956
	white RAL 9016	068627
Guide rail BG mounting plate for Standard / T-STOP / EFS guide rail	dark bronze	052352
	to RAL ²⁾	104451
	silver	049240
Lintel casing bracket, guide rail BG for standard guide rail	to RAL ²⁾	124684
	silver	124683
	dark bronze	030033
Lintel casing bracket, guide rail BG for T-STOP guide rail	Stainless steel effect ¹⁾	028393
	to RAL ²⁾	025658
	silver	025657
Lintel casing bracket, guide rail BG for T-STOP guide rail	white RAL 9016	030034
	to RAL ²⁾	115007
Accessories	silver	115006
	dark bronze	067725
Door closer cap for TS 5000/TS 4000	brass	072698
	to RAL ²⁾	000756
	Stainless steel	072696
	silver	067724
	white RAL 9016	067726
Mechanical hold-open unit for standard / T-STOP / Boxer 20.7 mm guide rail, adjustable holding force, can be switched on and off, can be overridden		071924
Flexible opening restrictor for lightweight doors for standard guide rail BG (riveted sliding block) & Boxer 20.7mm guide rail		069780

1) For dry rooms only

2) Additional charge for special RAL colours, see general information