

## GEZE TS 1000 C

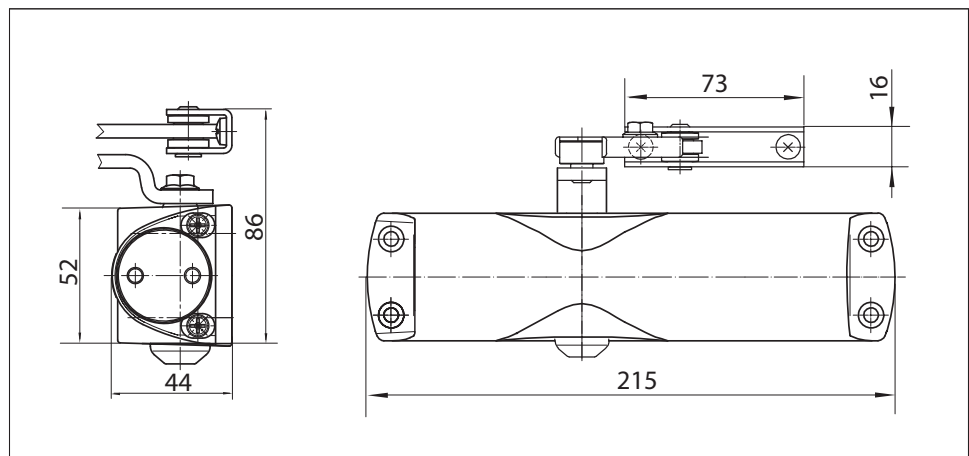
### Link arm door closer for single-leaf doors with a leaf width of up to 950 mm

The overhead door closer is suitable for single-leaf doors with a leaf width of up to 950 mm. The closing speed and hydraulic latching action can be adjusted. There are two different closing force settings, which can be selected simply by turning the bearing block for the link arm: 'Weak' closing force (size 2 acc. to EN 1154) for door leaf widths of up to 850 mm and "strong" closing force (size 3 acc. to EN 1154) for door leaf widths of up to 950 mm. The door closer is available with an optional mounting plate. This makes it suitable for left and right single-action doors without the need for conversion.

#### Special version:

- GEZE TS 1000 C with hold-open linkage featuring adjustable hold-open angle of between 70° and 150°

### GEZE TS 1000 C



#### Application range

- For internal doors
- For single-action doors, leaf width of up to 950 mm
- Compatible with left-hand and right-hand doors without the need for conversion
- Standard mounting on door leaf, hinge side; transom mounting on opposite hinge side also possible

**Closer specifications**

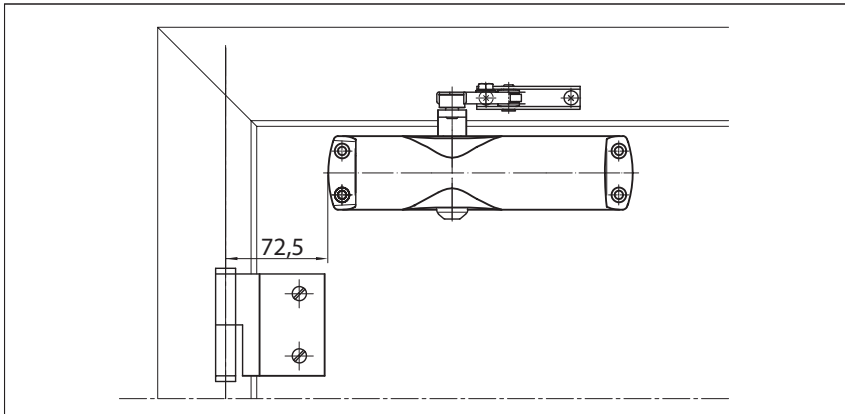
<b>Product features</b>	<b>GEZE TS 1000 C closer</b>
Closing force to EN1154	2/3
Leaf width recommended up to	950 mm
Identical version DIN-L and DIN-R	●
Product tested in acc. with	Door closer tested in acc. with EN1154
Length	215 mm
Installation depth	44 mm
Height	52 mm
<b>Functions</b>	
Adjustable closing force	d Via mounting
Adjustable closing speed	●
Adjustable latching action	d Via valve
Integrated back check	○
Closing force adjustment position	Mounting position

● = yes

○ = no

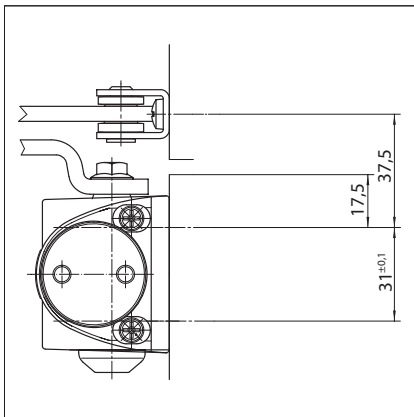
Door leaf mounting/hinge side TS 1000 C

View

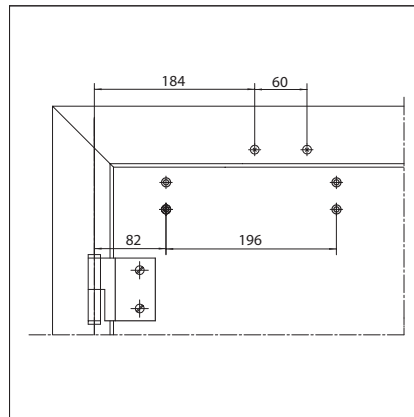


Mounting example for GEZE TS 1000 C

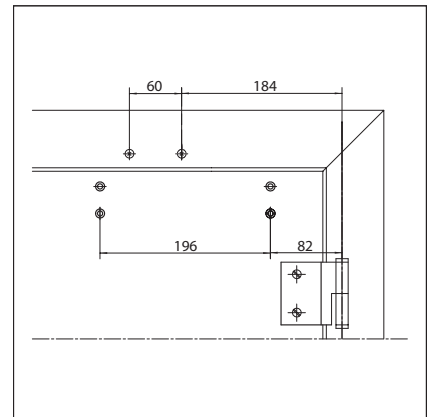
Direct mounting



Cross section = direct mounting

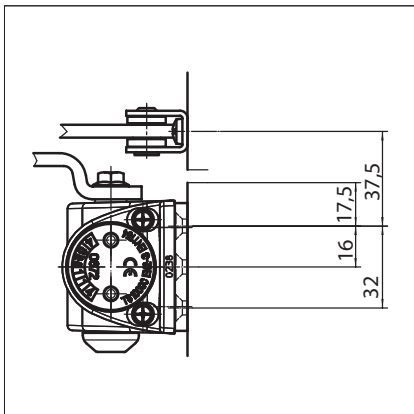


Fitting dimensions for left-hand door

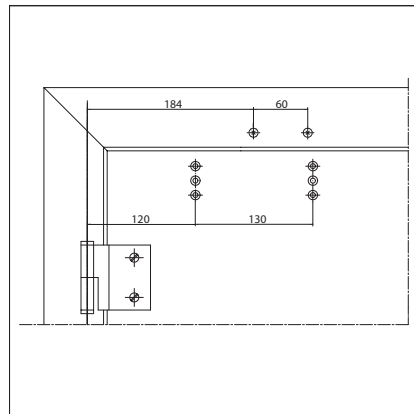


Fitting dimensions for right-hand door

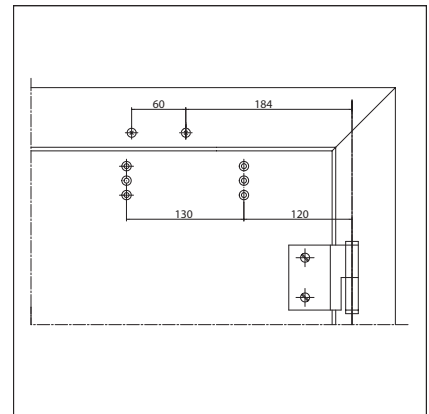
Mounting with mounting plate



Cross section = mounting with mounting plate



Fitting dimensions for left-hand door



Fitting dimensions for right-hand door