

GEZE TS1000 Overhead Door Closer



Installation Instructions

WARNING: DOOR CLOSERS WITH A POWER RATING LOWER THAN 3 OR WITH MECHANICAL HOLD OPEN DEVICES ARE NOT SUITABLE FOR USE WITH FIRE DOORS.

Components Checklist:

- | | |
|--------------------------|---|
| 1x Closer body & cover | 4x 5x55mm Self-tapping countersunk screws |
| 1x Guide Rail Assembly | 2x M5x40mm Countersunk screws |
| | 4x M5x55mm Countersunk screws |
| 2x M6 Allen Bolts | 2x 5x50 Self-tapping countersunk screws |
| 2x Plastic end caps | |
| 1x Plastic spindle cover | |

Tools Required For Installation:

- | | |
|-----------------------|---|
| Flat head screwdriver | 10mm Spanner |
| Posidrive screwdriver | 5mm Allen key (supplied) |
| Power drill | M5 Tap and Tap wrench (steel door mounting) |
| 4.2mm drill bit | |
| Template (supplied) | |
| Pencil | |

User Information for Door Closers

This information must be observed. Non compliance will absolve the manufacture from any liability. The door closer must only be used in accordance with its intended use; i.e. closing of side hung doors following manual opening.

Incorrect use may cause injury

- Obstruction of closing process (e.g. dragging doors, sticking weather strips/sealing rubbers, rough-running locks)
- Incorrect installation and adjustment (e.g. slamming doors)
- Danger of finger trap between frame and door leaf.
- Wrong size door closer.
- Closer used for other purpose than to close side hung doors.

Maintenance:

NOTE:

- Maintenance to be carried out by a specialist only.
- Check assembly for tolerance and undue wear.
- Tighten any screws that may have become loose.

At least once a year:

- Grease moveable parts.
- Check operation of doors and adjust if necessary.
- For door closers subject to release by Electro Mechanical and Electro Hydraulic means ensure that local regulation are adhered to.

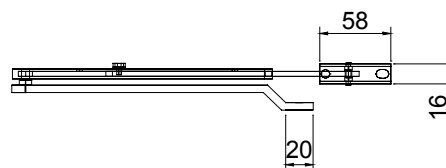
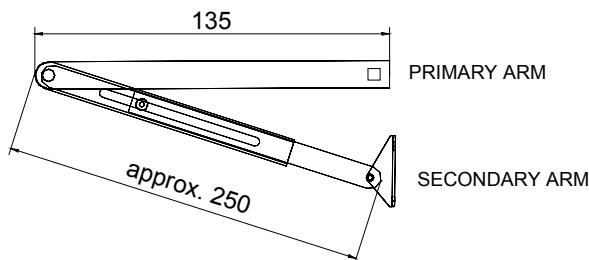
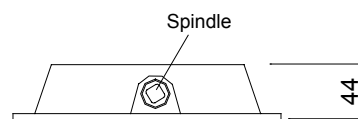
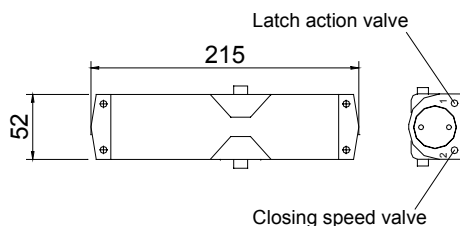
Installation and adjustment by specialist only

Where necessary, an additional doorstop or buffer must be fitted to limit the maximum opening of the door. This is of particular relevance for slide rail closers where the opening angle may be limited by frame. For further explanations see catalogue preface and product information.

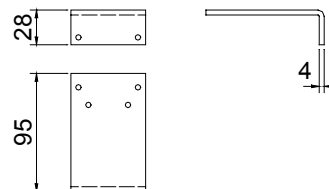
Door handing - DIN left / right

Stand facing the door on the hinge side / pull side. If the hinge or pivot is to your right hand side the door is considered to be DIN right. If the hinge or pivot is to your left hand side the door is considered to be DIN left.

TS1000 BODY



TS1000 PARALLEL ARM BRACKET



IMPORTANT WARNING:

HIGH INTERNAL PRESSURES, UNDER NO CIRCUMSTANCES ATTEMPT TO DISMANTLE THE CLOSER.

Fixing in figure 1

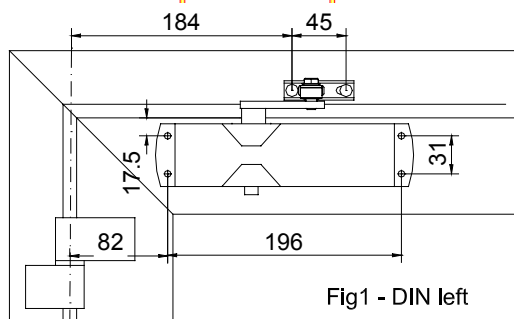
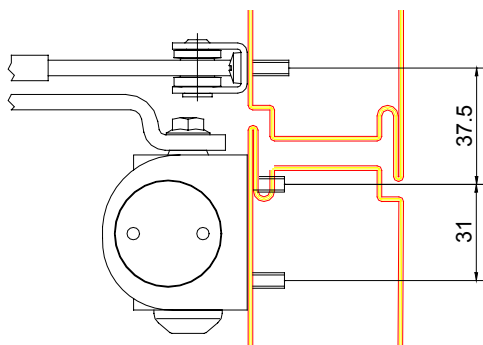


Fig1 - DIN left

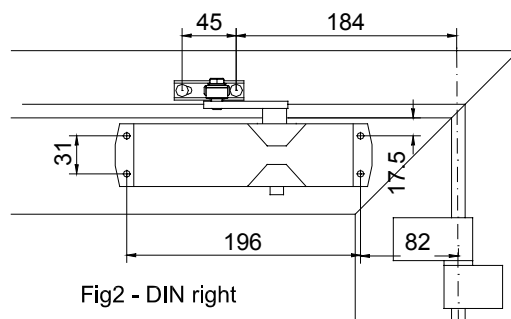


Fig2 - DIN right

➤ With the aid of the template mark out the fixing positions. Align the hinge point of the template with the centre line of the hinge on the door. (This applies to both left and right-hand doors.) There are two holes to be drilled/tapped on the transom for the arm shoe and four holes to be drilled/tapped on the door leaf for the closer body. If the template is not used refer to fixing dimensions (see figure 1 and 2 above.)

➤ Secure closer body with screws provided, making sure that the spindle is positioned towards the hinge side. (See figure 1 and 2 above.)

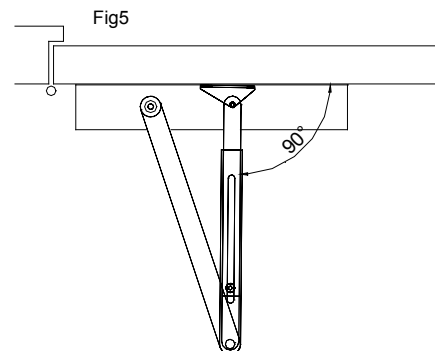
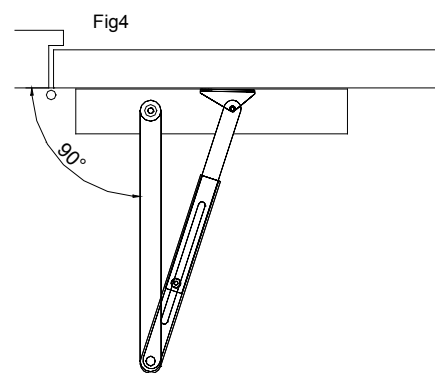
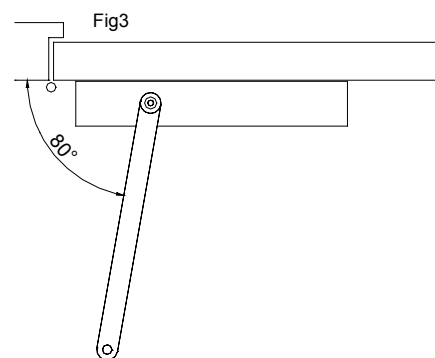
➤ Secure the arm to the spindle using M6 bolt supplied. Locate arm at approx. 80° with respect to the door leaf, towards the hinge point. (See figure 3.) Fix the shoe to the transom using the screws provided and loosen 10mm locking bolt on arm. Prime the closer slightly by rotating the **primary** arm to approx. 90° with respect to the door leaf and tighten the locking bolt. (See figure 4.)

➤ The latch action of the **TS1000C** can now be adjusted using the adjustment valve located on the side (see figure a) of the body of the closer next to the closing speed adjustment valve. Clockwise will decrease the latch action and anticlockwise will increase the latch action. **Do not overtighten.**

➤ The closing speed can now be adjusted using the adjustment valve located on the side (see figure a) of the body of the closer. Clockwise will decrease the closing speed and anticlockwise will increase the closing speed. **Do not overtighten.**

➤ Test installation by simulating persons using the entrance. The door should close smoothly without slamming and present no potential hazard to traffic.

➤ When commissioning is complete push on the, black plastic, spindle cover cap and clip on front cover.



Fixing in figure 61

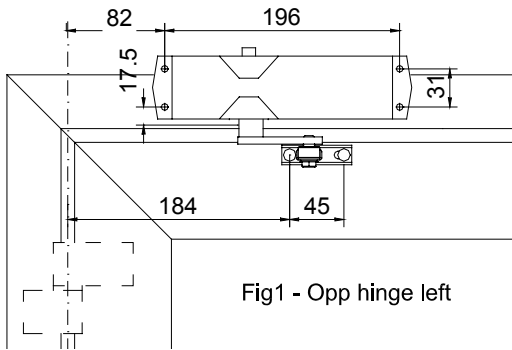
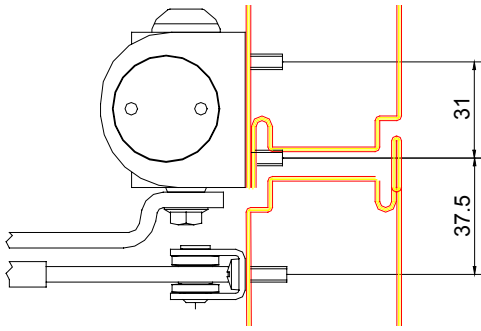
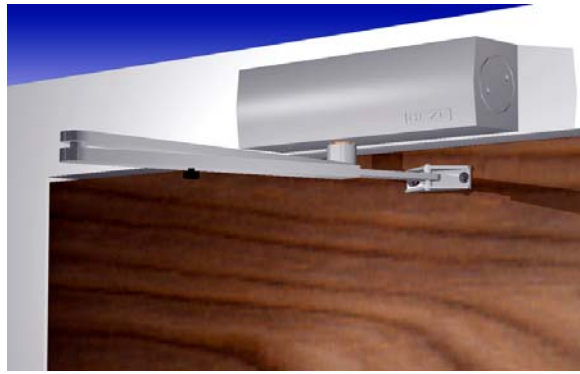


Fig1 - Opp hinge left

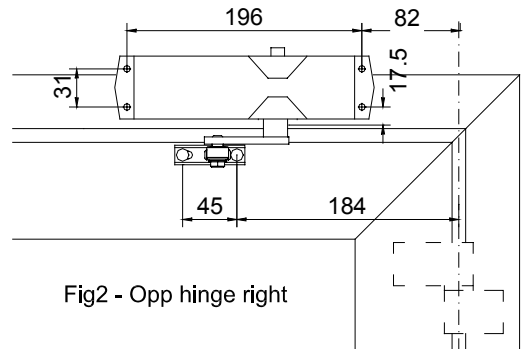


Fig2 - Opp hinge right

➤ With the aid of the template mark out the fixing positions. Align the hinge point of the template with the centre line of the hinge on the door. (This applies to both left and right-hand doors.) There are two holes to be drilled/tapped on the door leaf for the arm shoe and four holes to be drilled/tapped on the transom for the closer body. If the template is not used refer to fixing dimensions (see figure 1 and 2 above.)

➤ Secure closer body with screws provided, making sure that the spindle is positioned towards the hinge side. (See figure 1 and 2 above.)

➤ Secure the arm to the spindle using M6 allen bolt supplied. Locate arm at approx. 80° with respect to the door leaf, towards the hinge point. (See figure 3.) Fix the shoe to the door leaf using the screws provided and loosen 10mm locking bolt on arm. Prime the closer slightly by rotating the **primary** arm to approx. 90° with respect to the door leaf and tighten the locking bolt. (See figure 4.)

➤ The latch action of the **TS1000C** can now be adjusted using the adjustment valve located on the side of the body of the closer next to the closing speed adjustment valve. Clockwise will decrease the latch action and anticlockwise will increase the latch action. **Do not overtighten.**

➤ The closing speed can now be adjusted using the adjustment valve located on the side of the body of the closer. Clockwise will decrease the closing speed and anticlockwise will increase the closing speed. **Do not overtighten.**

➤ Test installation by simulating persons using the entrance. The door should close smoothly without slamming and present no potential hazard to traffic.

➤ When commissioning is complete push on the, black plastic, spindle cover cap and clip on the front cover.

