

## GEZE TS 2000 V

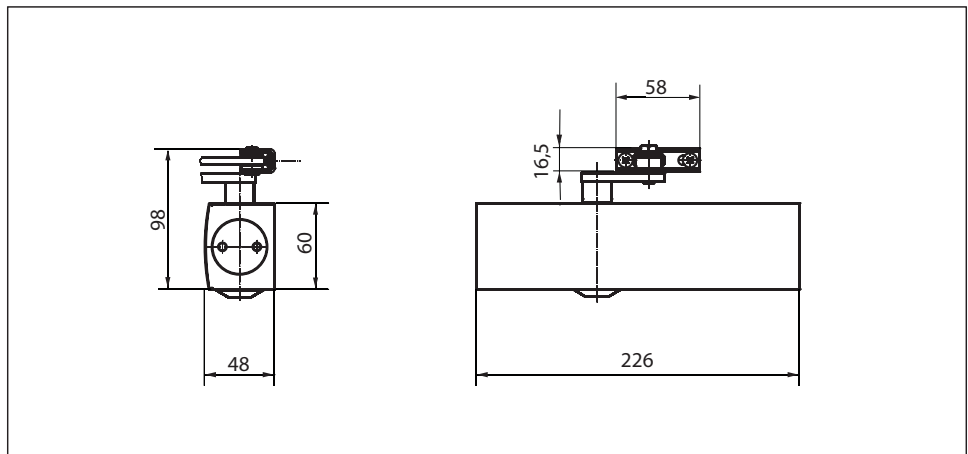
### Link arm door closer for single-leaf doors with a leaf width of up to 1250 mm

TS 2000 V overhead door closer is suitable for single-leaf doors with a leaf width of up to 1250 mm. The closing force is variable in accordance with DIN EN 1154, size 2/4/5 (closing force is varied by changing the mounting position, but same size of closer is used in all cases). The closing speed can be conveniently adjusted from the front and the latching action is adjusted by means of the link arm. The door closer is available with an optional mounting plate. This makes it suitable for left and right single-action doors without the need for conversion.

#### Special versions:

- GEZE TS 2000 V BC  
With hydraulic latching action that can be adjusted from the front and fixed back check setting
- GEZE TS 2000 V with hold-open linkage  
With adjustable hold-open angle of between 70° and 150°

## GEZE TS 2000 V



#### Application range

- For single-action doors, leaf width of up to 1250 mm
- Compatible with left-hand and right-hand doors without the need for conversion
- Standard mounting on door leaf, hinge side; transom mounting on opposite hinge side also possible
- Can be installed on door leaf on opposite hinge side with parallel arm mounting

**Closer specifications**

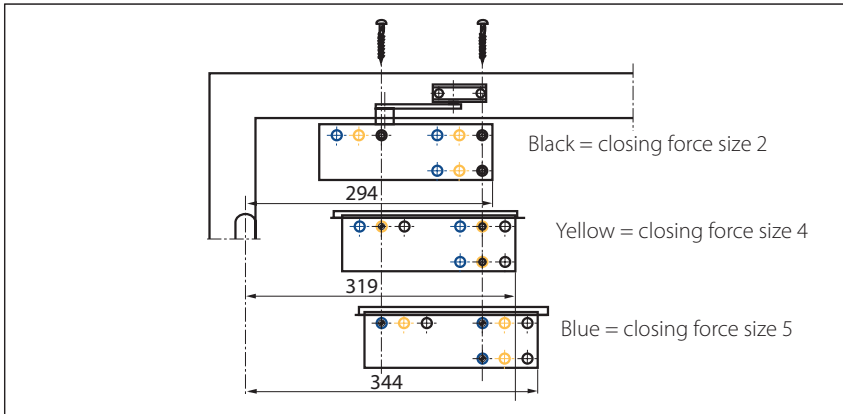
Product features	GEZE TS 2000 V closer	GEZE TS 2000 VBC closer
Closing force to EN1154	2/4/5	
Leaf width recommended up to	1250 mm	
Identical version DIN-L and DIN-R	●	●
Product tested in acc. with	Door closer tested in acc. with EN1154	
Length	226 mm	
Installation depth	48 mm	
Height	60 mm	
<b>Functions</b>		
Adjustable closing force	Yes, via mounting	
Adjustable closing speed	●	●
Adjustable latching action	● Via link arm	● Via valve
Integrated back check	○	● Hydraulic, fixed
Closing force adjustment position	Mounting position	
Thermo-constant valves	●	●

● = yes

○ = no

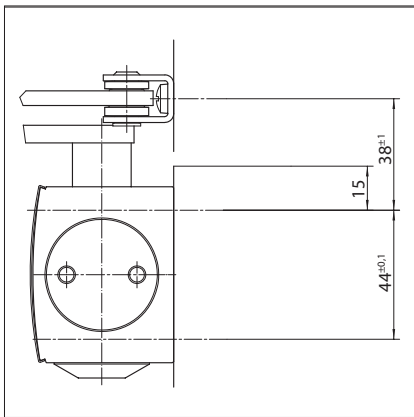
Door leaf mounting/hinge side TS 2000 V/V BC

View

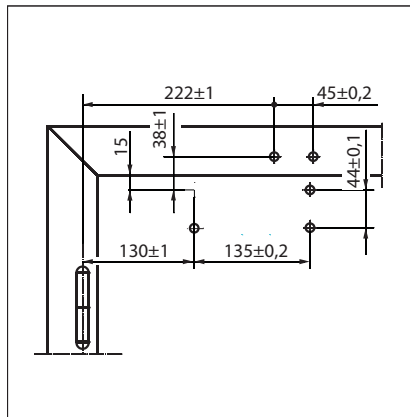


Mounting example for GEZE TS 2000 V/V BC (closing force EN 2/4/5)

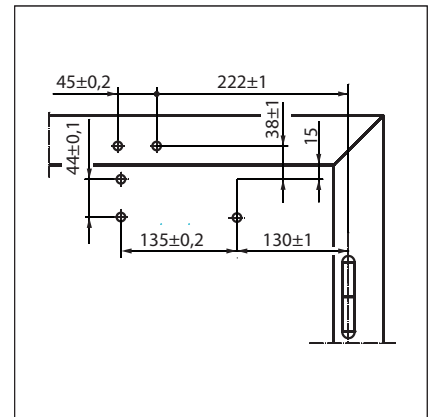
Direct mounting



Cross section = direct mounting

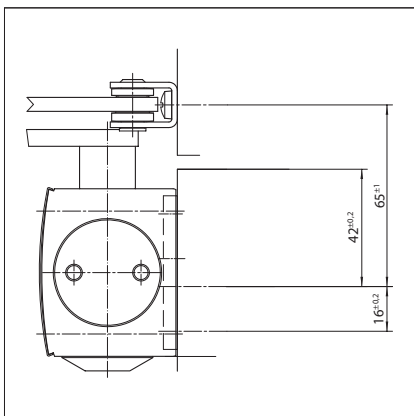


Fitting dimensions for left-hand door

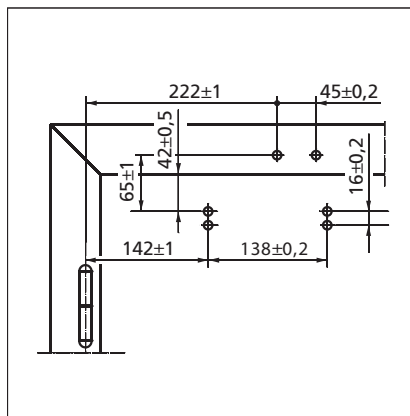


Fitting dimensions for right-hand door

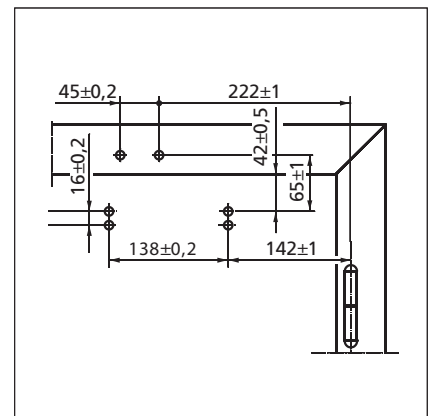
Mounting with mounting plate



Cross section = mounting with mounting plate



Fitting dimensions for left-hand door



Fitting dimensions for right-hand door