

GEZE TS 3000 V / SYSTEM TS 5000

GEZE TS 3000 V

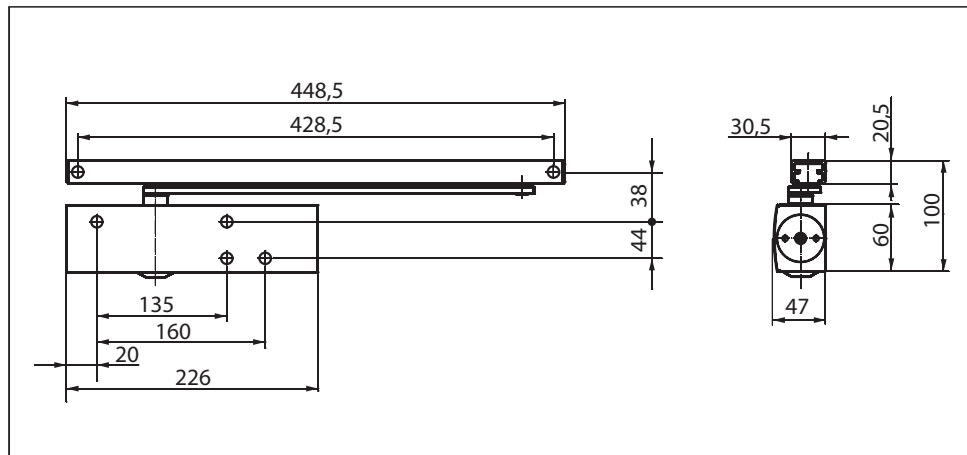
Guide rail door closer for single-leaf doors with up to 1100 mm leaf width

The TS 3000 V overhead door closer is for single-leaf right and left-hand single-action doors up to 1100 mm wide and is approved for mounting on fire and smoke doors. The closing force, size 1-4 to EN 1154, can be adjusted at the side, the hydraulic end stop and the thermo-controlled closing speed can be adjusted from the front.

Special versions:

- TS 3000 V with mechanical hold-open, continuously adjustable between 80° and 130° (not approved for mounting on fire and smoke doors)
- TS 3000 VBC with backcheck, adjustable from the front

GEZE TS 3000 V



Applications

- For single-action doors, leaf width up to 1100 mm
- Can be used for both right and left-hand doors without conversion
- For fire doors (door closer with mounting plate)

GEZE TS 3000 V / SYSTEM TS 5000

Closer technical data:

Product features	GEZE TS 3000 V closer	GEZE TS 3000 VBC closer	GEZE TS 3000 EN3 closer
Closing force to EN1154	1 - 4	1 - 4	3
Recommended leaf width, up to	1100 mm	1100 mm	950 mm
Same version for left and right-hung doors	●	●	●
Product tested to	Door closer tested to EN1154		
Fire door suitability	●	●	●
Mounting plate with hole pattern to EN1154 supplement	●	●	●
Length	226 mm		
Overall depth	46 mm		
Height	60 mm		
Functions			
Adjustable closing force	Yes, continuously	Yes, continuously	No
Adjustable closing speed	●	●	d
Adjustable end stop	Yes, via valve		
Integrated backcheck	No	Yes, hydraulically adjustable	No
Position of closing force adjustment	At the side	At the side	
Safety valve against wilful damage	●	●	●
Thermo-control valves	●	●	●

Guide rail technical data:

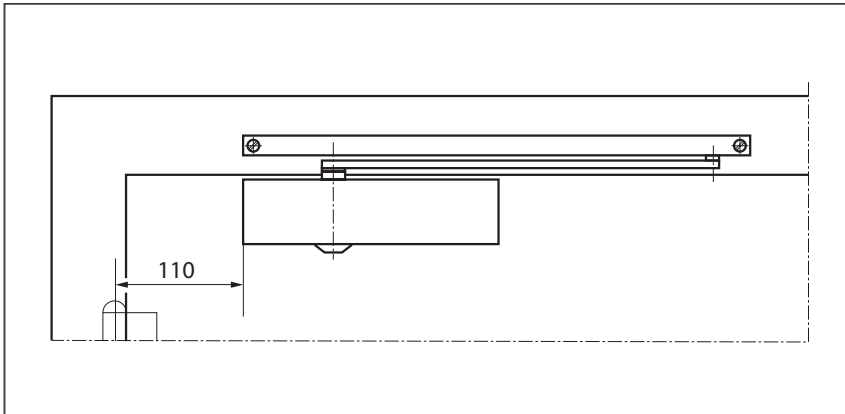
Product features	Guide rail TS 5000/3000, adjustable height	Guide rail TS 5000/3000	T-STOP guide rail TS 5000/3000
Length	448.5 mm	448.5 mm	452.5 mm
Overall depth	30.5 mm	30.5 mm	33 mm
Height	20.5 mm	20.5 mm	30 mm
Functions			
Integrated opening restrictor	○	○	●
Integrated hold-open	○	○	○
Height correction possible	●		

○ = optional

● = standard

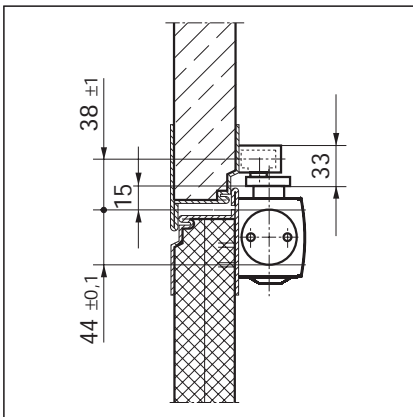
Door leaf mounting/hinge side TS 5000 V

View

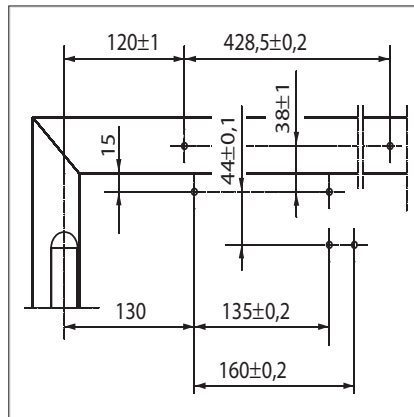


Mounting example of the GEZE TS 3000 V

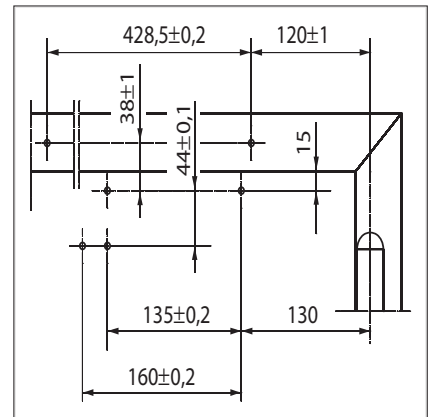
Direct mounting



Section = direct mounting

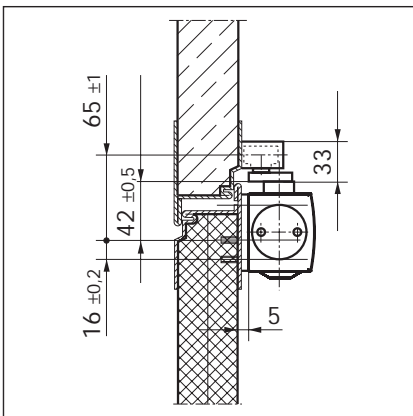


Fitting dimensions, left-hand door

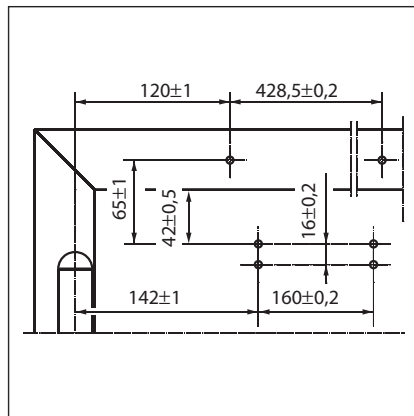


Fitting dimensions, right-hand door

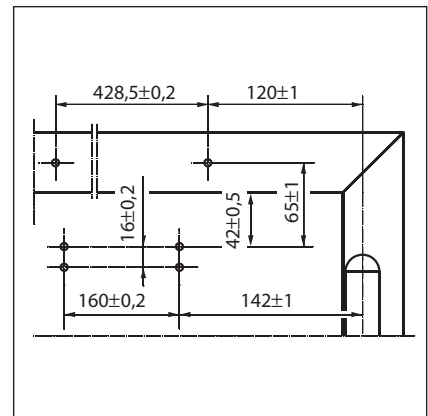
Mounting with mounting plate



Section = mounting with mounting plate



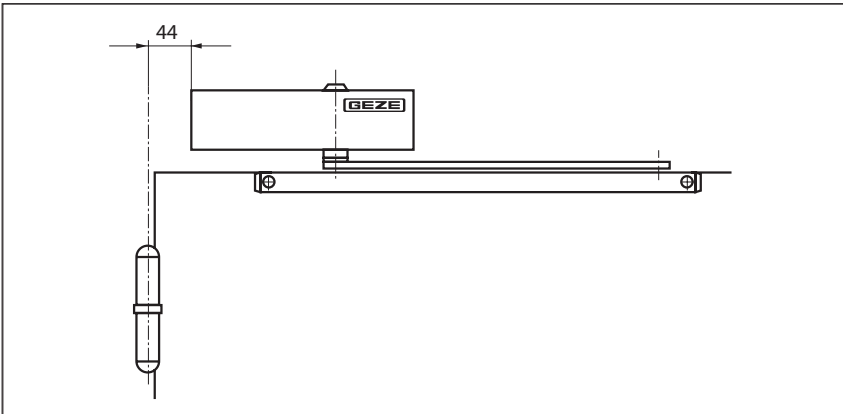
Fitting dimensions, left-hand door



Fitting dimensions, right-hand door

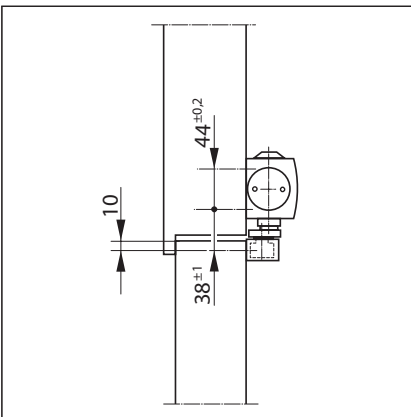
Frame mounted/hinge side TS 3000 V

View

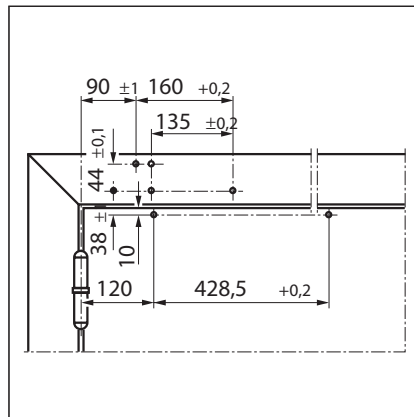


Mounting example of the GEZE TS 3000 V

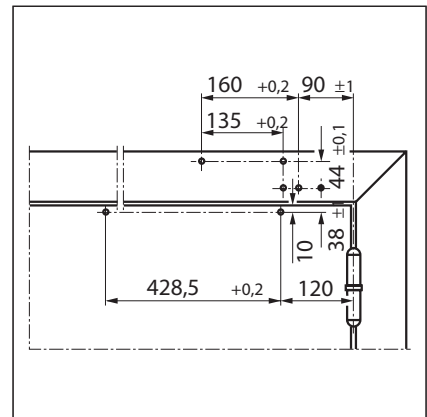
Direct mounting



Section = direct mounting

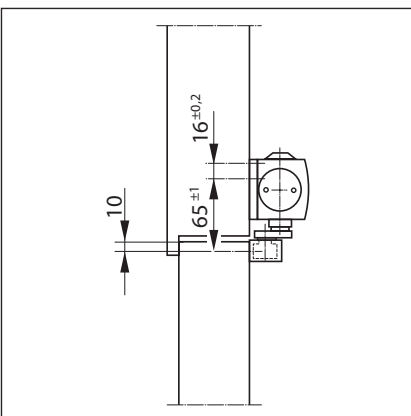


Fitting dimensions, left-hand door

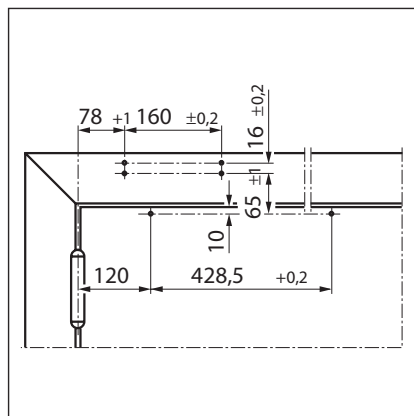


Fitting dimensions, right-hand door

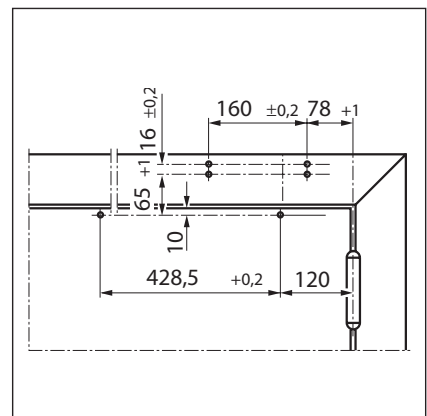
Mounting with mounting plate



Section = mounting with mounting plate



Fitting dimensions, left-hand door

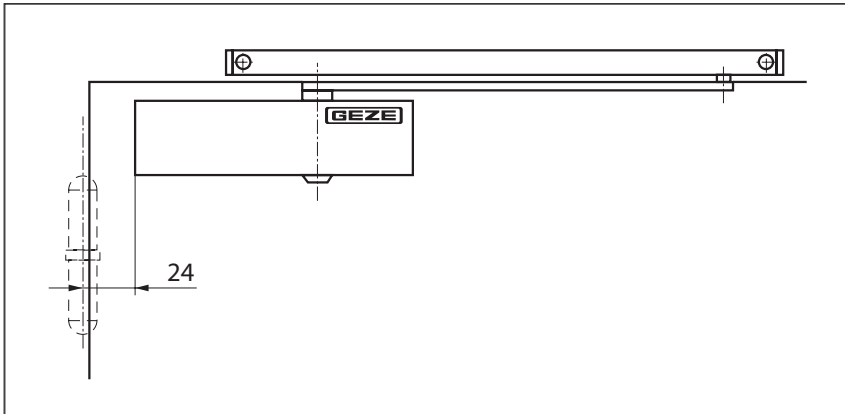


Fitting dimensions, right-hand door

GEZE TS 3000 V / SYSTEM TS 5000

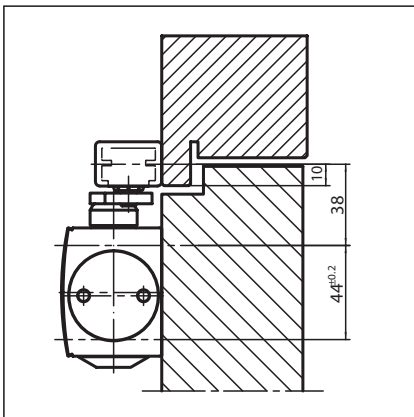
Door leaf mounting/opposite the hinge TS 3000 V

View

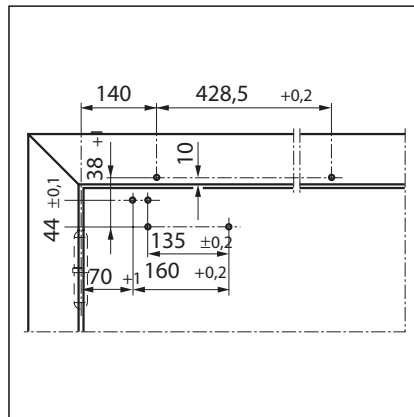


Mounting example of the GEZE TS 3000 V

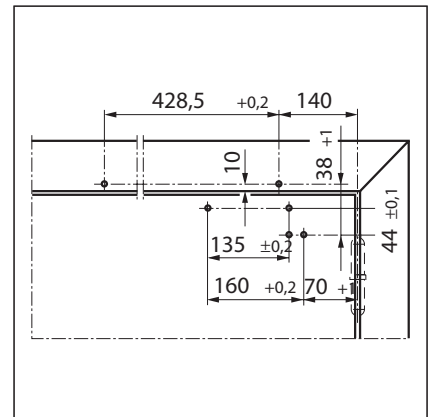
Direct mounting



Section = direct mounting

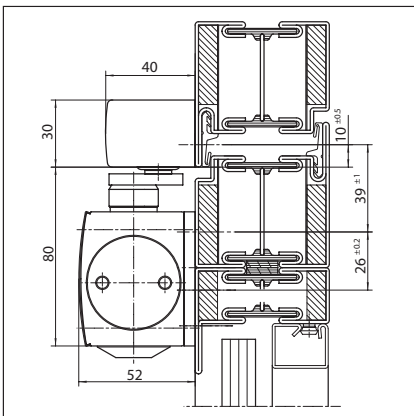


Fitting dimensions, right-hand door

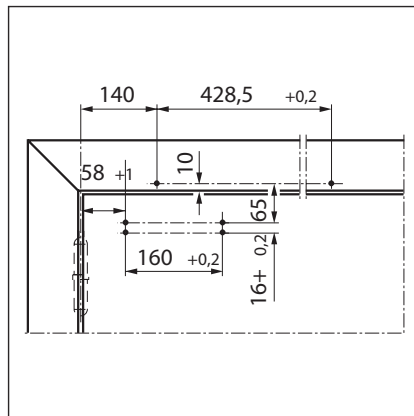


Fitting dimensions, left-hand door

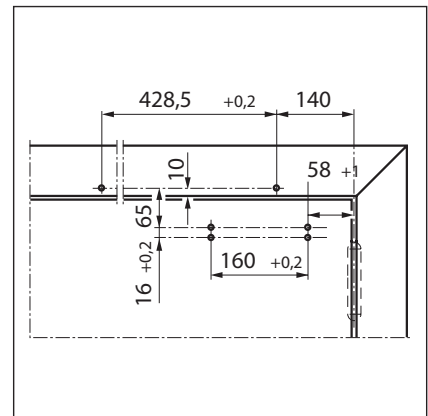
Mounting with mounting plate



Section = mounting with mounting plate



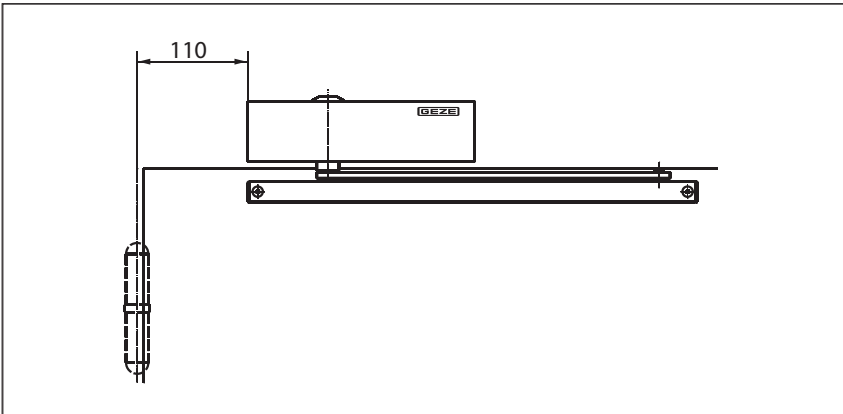
Fitting dimensions, right-hand door



Fitting dimensions, left-hand door

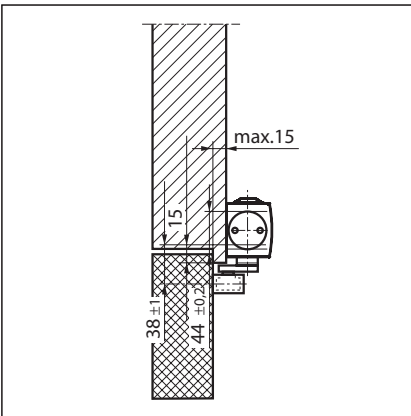
Frame mounted/opposite the hinge side TS 3000 V

View

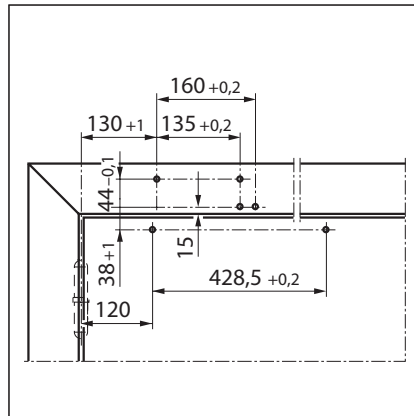


Mounting example of the GEZE TS 3000 V

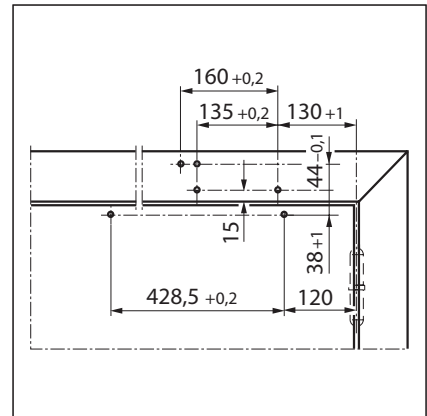
Direct mounting



Section = direct mounting

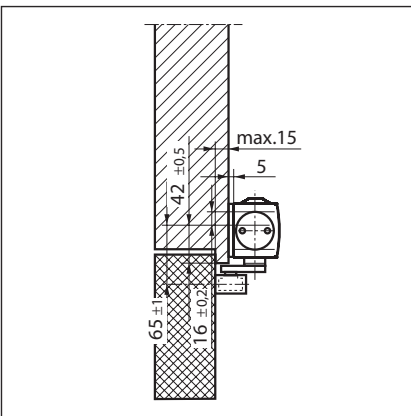


Fitting dimensions, right-hand door

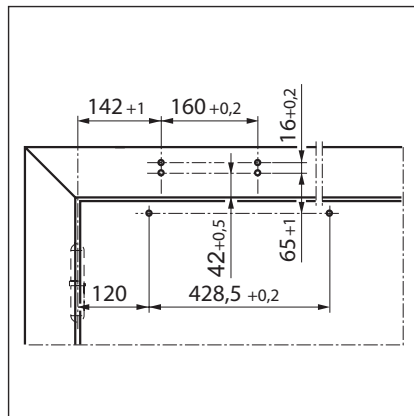


Fitting dimensions, left-hand door

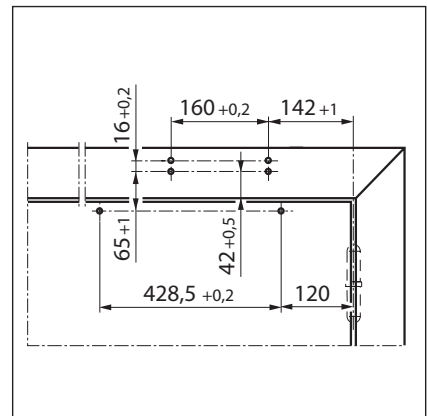
Mounting with mounting plate



Section = mounting with mounting plate



Fitting dimensions, right-hand door



Fitting dimensions, left-hand door

GEZE TS 3000 V / SYSTEM TS 5000

GEZE TS 3000 V - order information

Description	Version	ID. No.
GEZE TS 3000 V closer Size EN 1-4 (without guide rail and lever)	dark bronze	028349
	to RAL ²⁾	028351
	silver	028348
	white RAL 9016	028350
GEZE TS 3000 VBC closer Size EN 1-4 with backcheck (without guide rail and lever)	dark bronze	109327
	to RAL	109329
	silver	109326
	white RAL 9016	109328
GEZE TS 3000 EN3 closer Size EN 3 (without guide rail and lever)	dark bronze	102306
	to RAL ²⁾	102308
	silver	102247
	white RAL 9016	102307
Guide rail TS 5000/3000, adjustable height Height adjustment +/- 2 mm, with lever	to RAL ²⁾	115192
	silver	115191
Guide rail BG TS 5000/3000, adjustable height Height adjustment +/- 2 mm, with lever, use for closer mounted on leaf, side opposite hinge	to RAL ²⁾	115194
	silver	115193
Guide rail TS 5000/3000 Standard, with lever	dark bronze	068222
	to RAL ²⁾	000773
	Stainless steel effect ¹⁾	014945
	silver	068221
	white RAL 9016	015695
Guide rail BG TS 5000/3000 Standard, with lever, use for closer mounted on leaf, side opposite hinge	to RAL ²⁾	025656
	Stainless steel effect ¹⁾	028732
	silver	025655
	white RAL 9016	029404
	to RAL ²⁾	102365
T-STOP guide rail TS 5000/3000 with integrated opening restrictor and lever	Stainless steel effect ¹⁾	102364
	silver	102363
	white RAL 9016	108481
	to RAL ²⁾	102368
T-STOP guide rail BG TS 5000/3000 with integrated opening restrictor and lever, use for closer mounted on leaf, side opposite hinge	Stainless steel effect ¹⁾	102367
	silver	102366
	white RAL 9016	108482

Installation materials		
Door closer mounting plate for TS 3000 with drilling pattern to EN 1154 supplement 1.	silver	011230
	dark bronze	011232
	to RAL ²⁾	011234
	white RAL 9016	011233
Door closer clamping plate for glass doors for TS 3000/TS 2000 NV	dark bronze	014836
	to RAL ²⁾	014845
	white RAL 9016	014843
All-glass door mounting and counter plate for TS 3000/TS 2000 NV	silver	014835
	silver	090259
Guide rail BG mounting plate for Standard / T-STOP / EFS guide rail	to RAL ²⁾	124684
	silver	124683
Guide rail mounting plate for Standard / T-STOP / EFS guide rail	to RAL ²⁾	104515
	white RAL 9016	129252
	silver	001512
	dark bronze	030033
Lintel casing bracket, guide rail BG for standard guide rail	Stainless steel effect ¹⁾	028393
	to RAL ²⁾	025658
	silver	025657
	white RAL 9016	030034
Lintel casing bracket, guide rail BG for T-STOP guide rail	to RAL ²⁾	115007
	silver	115006
Door closer drilling template for TS 5000/4000/3000/2000		053134
Accessories		
Door closer cap for TS 3000/TS 2000	dark bronze	014849
	brass	072770
	to RAL ²⁾	014856
	Stainless steel	072769
	silver	013487
Mechanical hold-open unit for standard / T-STOP / Boxer 20.7 mm guide rail, adjustable holding force, can be switched on and off, can be overridden	white RAL 9016	014855
		071924
Flexible opening restrictor for lightweight doors for standard guide rail & Boxer 20.7 mm guide rail		069780

1) For dry rooms only

2) Additional charge for special RAL colours, see general information