



GEZE TS 4000 E

Overhead door closer with electrohydraulic hold-open according to EN 1155, closing force size 1-6

Product features

- ▶ Closing force size EN 1-6 adjustable
- ▶ Closer in only one construction size
- ▶ Optical power size indicator
- ▶ Thermo constant closing speed adjustable at front
- ▶ Latching action adjustable via link arm
- ▶ Infinitely variable hold-open angle between 80° and 180°
- ▶ Operating voltage 24 V DC
- ▶ Low power consumption approx. 1 Watt
- ▶ Same fitting hole pattern as all GEZE TS 4000 closers

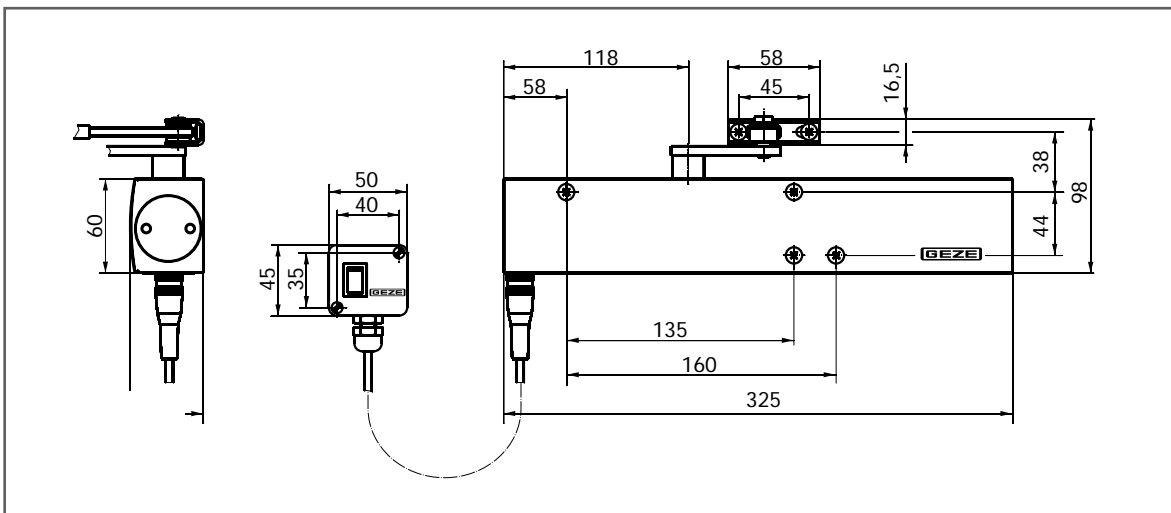


Fig. 20-1

Application range

- ▶ For single-action doors up to 1400 mm
- ▶ Can be used for right and left hand doors without adjustment
- ▶ For smoke and fire-proof doors

Standard version/package

Overhead door closer GEZE TS 4000 E for standard mounting, 24 V DC, complete with mounting material and installation template (mounting plate not included); still needed: link arm

- ▶ **GEZE TS 4000 E / transom mounting 24 V DC**
(on smoke and fire-proof doors only permitted if transom mounting has been approved for the respective door in the official approval certificate)

Electrical installation

The GEZE TS 4000 E has to be connected to a 24 V DC direct voltage supply to allow the door to be held open.

Function

- ▶ Voltage applied to closer = door held open
- ▶ No voltage applied or switched off = door not held open, door closes automatically
- ▶ The door can be closed manually at any time regardless of whether or not voltage is being applied

Electrical data

- ▶ Operating voltage 24 V DC $\pm 10\%$
- ▶ Connected load 45 mA
- ▶ Max. permissible residual ripple 20%
- ▶ Enclosure rating IP 43 (for interior use only)

Power supply cable, standard mounting

The power supply cable can be either surface-mounted or flush-mounted, see Fig. 21-1

Power is supplied from the terminal box to the closer via a cable with a threaded circular connector. To prevent the closer, terminal box, and cable from being damaged, the terminal box has to be mounted within the area shown on the illustration, see Fig. 22-1

Power cable supply, transom mounting

The power supply cable to the closer is flush-mounted. The cables are connected to special terminals in the closer, see Fig. 21-2

Specifications

Overhead door closer **GEZE TS 4000 E** 24 V DC for mounting on smoke and fire-proof doors, with electrohydraulic hold-open device infinitely variable between 80° and 180° as per EN 1155, closing force EN size 1-6 and closing speed adjustable at front, with visual size indicator, standard type of installation: door mount / hinge side, also available with optional mounting plate.

Finish:

- () silver
- () RAL ...

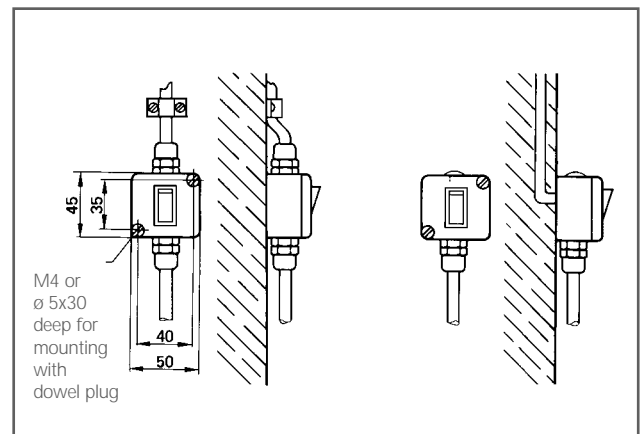


Fig. 21-1

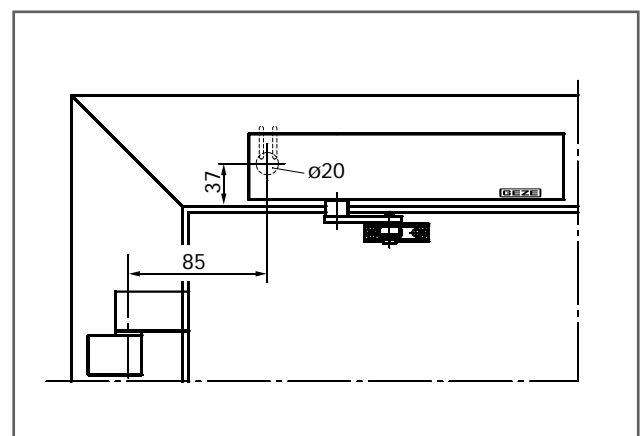


Fig. 21-2

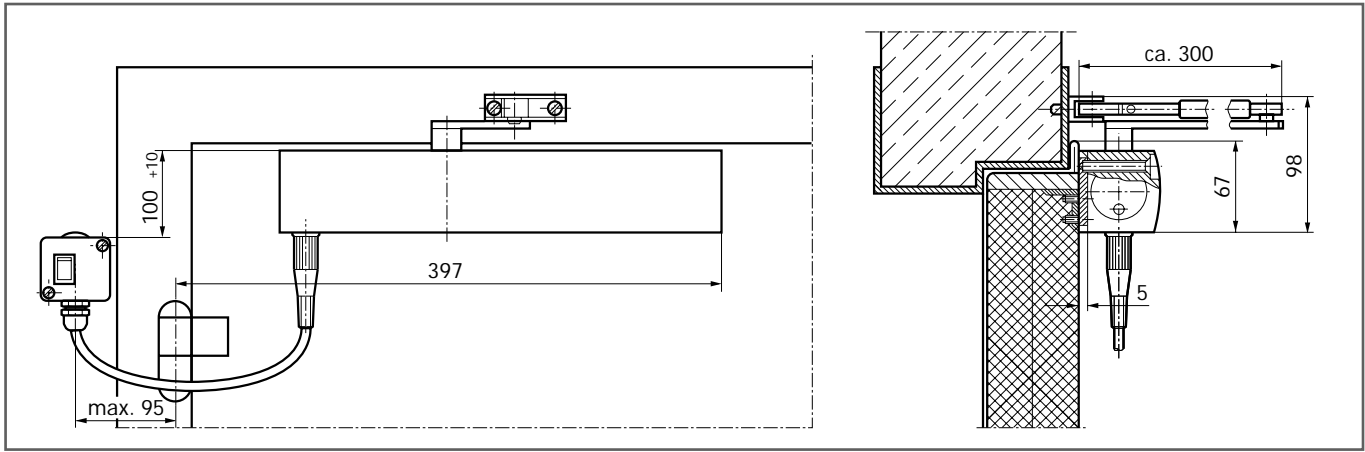


Fig. 22-1

Mounting on hinge side / door mount

Example showing the mounting of GEZE TS 4000 E with mounting plate to a fire-proof door, see Fig. 22-1

Mounting plate, 5 mm deep, drill-hole pattern to DIN EN 1154 appendix 1, for doors where direct mounting is not possible, see Fig. 22-2

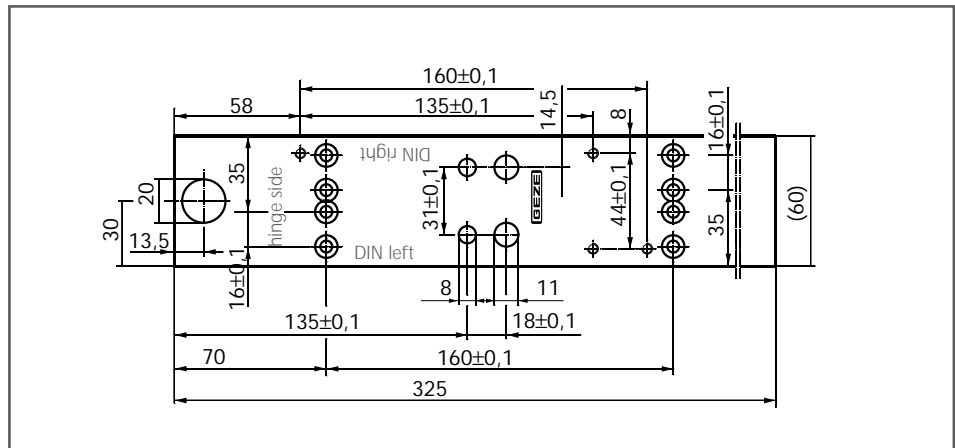


Fig. 22-2

Mounting dimensions for left closing door, see Fig. 22-3
for right closing door, see Fig. 22-4

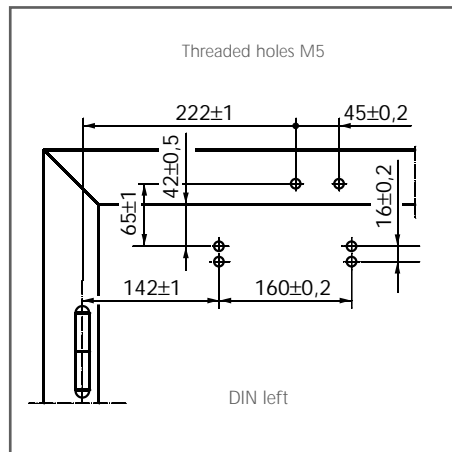


Fig. 22-3

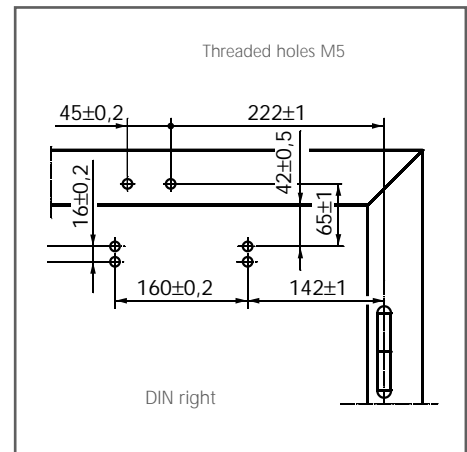


Fig. 22-4

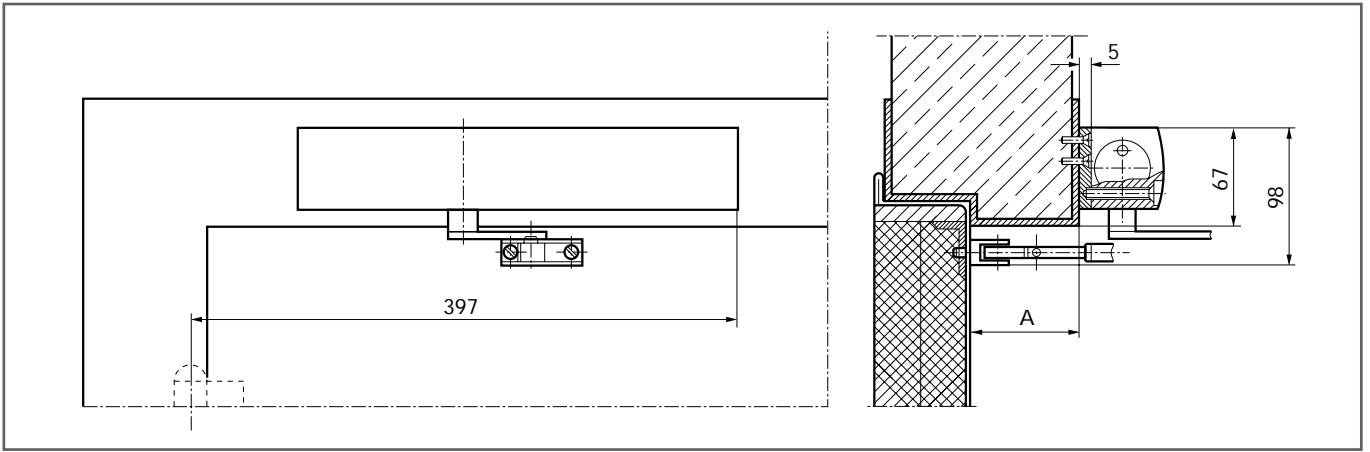


Fig. 23-1

Transom mounting / opposite hinge side

Example showing the mounting of GEZE TS 4000 E with mounting plate to a fire-proof door, see Fig. 23-1

For smoke and fire-proof doors, the lintel depth A should not exceed 70 mm.

Mounting plate, 5 mm deep, drill-hole pattern to DIN EN 1154 appendix 1, for doors where direct mounting is not possible, see Fig. 23-2

Mounting dimensions for right closing door, see Fig. 23-3 for left closing door, see Fig. 23-4

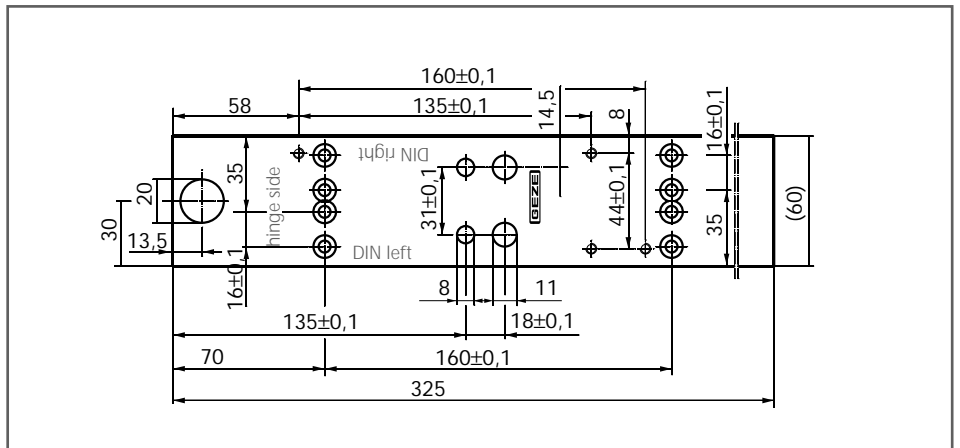


Fig. 23-2

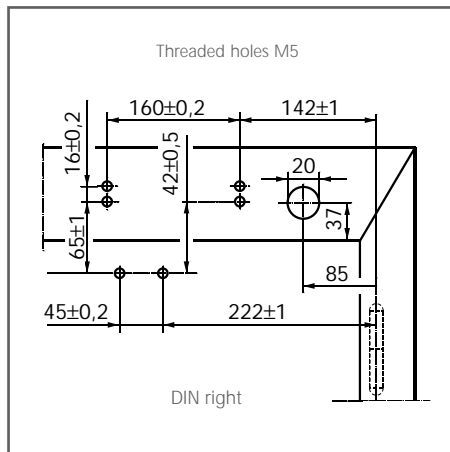


Fig. 23-3

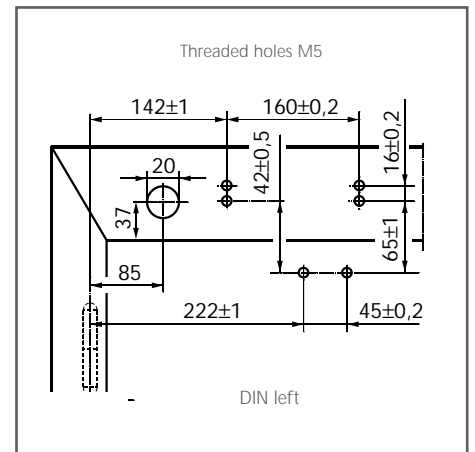


Fig. 23-4

GEZE TS 4000 E / EFS – Ordering text

Description	Finish	ID No.	
GEZE TS 4000 E for standard installation with terminal box, without arm	silver	105211	
	RAL colour	105212	
GEZE TS 4000 E for transom mounting without arm	silver	105213	
	RAL colour	105214	
GEZE TS 4000 E for transom mounting on hinge side ^{1) 2)} with guide rail	silver	105235	
	RAL colour	105236	
Standard arm	silver	102421	
	RAL colour	102425	
Freeswing arm for TS 4000 EFS	silver	106460	
	RAL colour	106462	
Guide rail	silver	102527	
	RAL colour	102528	
Freeswing guide rail ²⁾ for TS 4000 EFS	silver	106844	
	RAL colour	106466	
Mounting material			
Mounting plate	silver	059107	
	RAL colour	100044	
Accessories			
Serrated spindle extensions, length:	10 mm	galvanised	103548
	15 mm	galvanised	103549
	20 mm	galvanised	103550
	10 mm	black chromated	103677
	15 mm	black chromated	103678
	20 mm	black chromated	103679

¹⁾ Only in conjunction with standard or Freeswing guide rail, arm not possible

²⁾ At the moment not permitted for use with smoke and fire-proof doors, size 3 according to EN, leaf width up to 950 mm