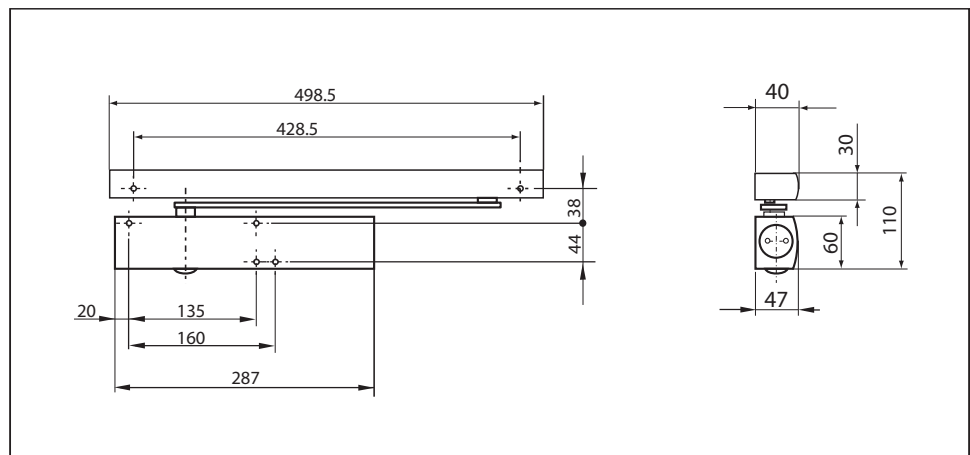


GEZE TS 5000 E

Guide rail door closer for single-leaf doors up to 1400 mm leaf width with electrical hold-open

Thanks to the electromechanical hold-open (to EN 1155) in the 30 mm low guide rail the TS 5000 E overhead door closer can be continuously adjusted to an exact point between 80° and 130°. Since this hold-open device is released in the event of fire or a power failure and the door closes safely, this closer is authorised for use with single leaf fire and smoke doors. The closing force, size 2-6 to EN 1154, the closing speed, the end stop and the backcheck can be adjusted from the front. The door closer has a visual size display. The holding force of the hold-open is adjustable and the hold-open position can be overridden.

GEZE TS 5000 E



Applications

- For single-action doors, leaf width up to 1400 mm
- Can be used for both right and left-hand doors without conversion
- For fire doors (door closer with mounting plate)

GEZE TS 3000 V / SYSTEM TS 5000

Closer technical data:

Product features	GEZE TS 5000 closer	GEZE TS 5000 L closer
Closing force to EN1154		2 - 6
Recommended leaf width, up to		1400 mm
Same version for left and right-hung doors	●	●
Product tested to	Door closer tested to EN1154	
Fire door suitability	●	●
Mounting plate with hole pattern to EN1154 supplement	●	●
Length		287 mm
Overall depth		47 mm
Height		60 mm
Functions		
Adjustable closing force		Yes, continuously
Adjustable closing speed	●	●
Adjustable end stop		Yes, via valve
Integrated backcheck		Yes, hydraulically adjustable
Position of closing force adjustment		Front
Visual display of the closing force	●	●
Safety valve against wilful damage	●	●
Thermo-control valves	●	●

Guide rail technical data:

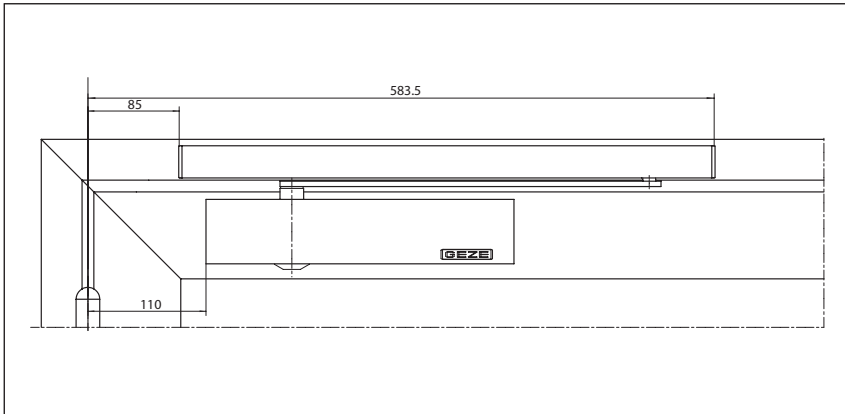
Product features	TS 5000 E-guide rail	BG TS 5000 E-guide rail
Supply voltage		24V DC
Enclosure rating		IP 43
Product tested to	Hold-open device tested to EN1154	
Length		498.5 mm
Overall depth		40 mm
Height		30 mm
Functions		
Integrated hold-open		Electrical
Hold-open position can be overridden	●	●
Hold-open angle	80°-130°	from 80°
Height correction possible	●	●

○ = optional

● = standard

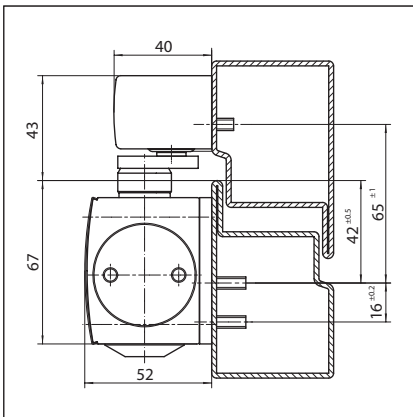
Door leaf mounting/hinge side TS 5000 E

View

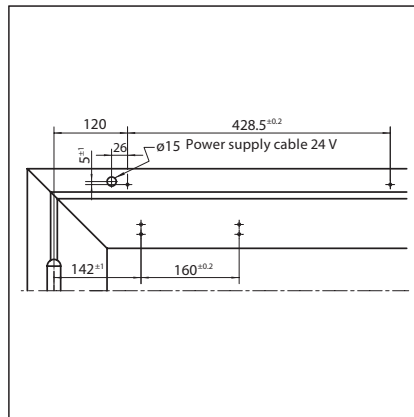


Mounting example of the GEZE TS 5000 E

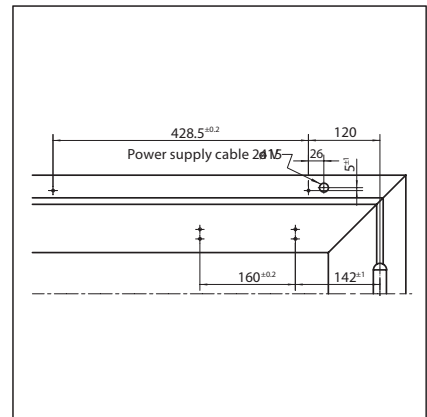
Mounting with mounting plate



Section = mounting with mounting plate

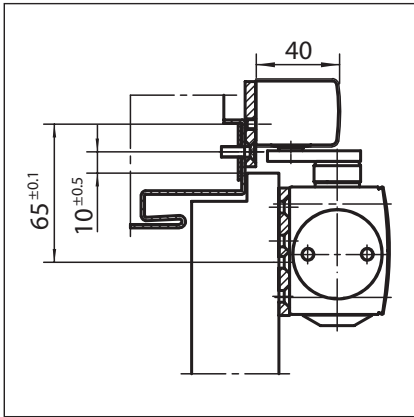


Fitting dimensions, left-hand door

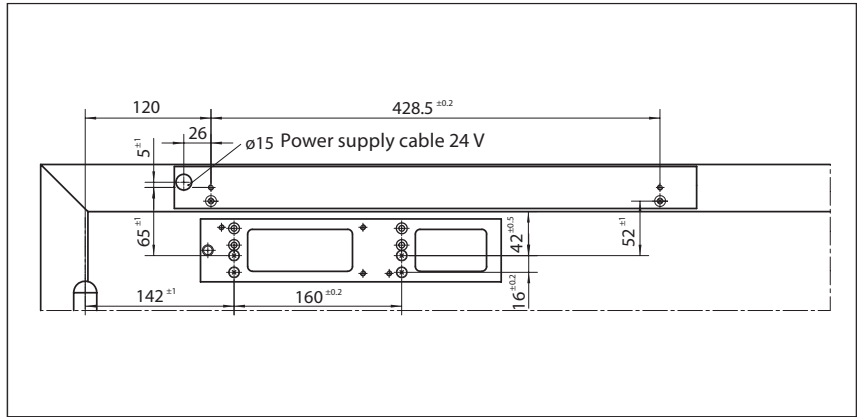


Fitting dimensions, right-hand door

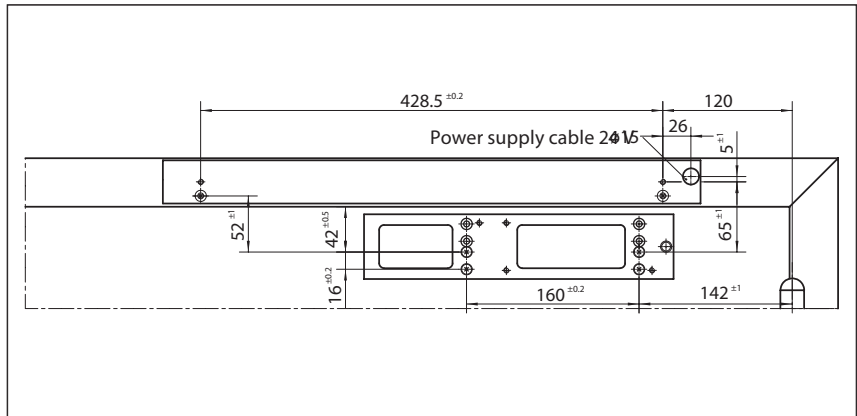
Mounting on narrow door frames



Section = mounting with mounting plate



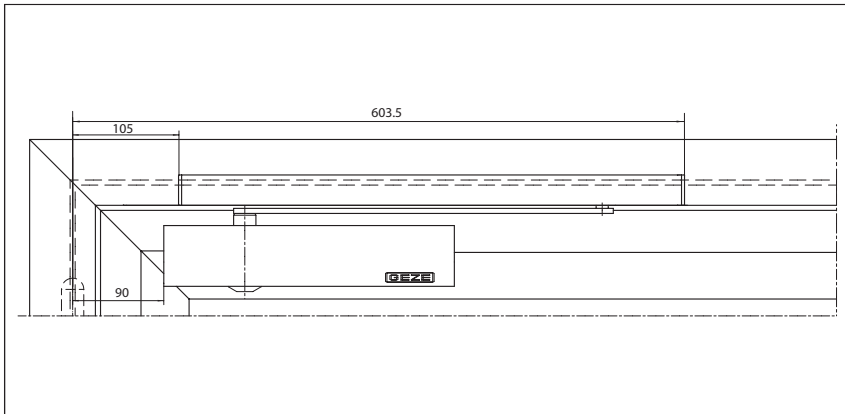
Fitting dimensions, left-hand door



Fitting dimensions, right-hand door

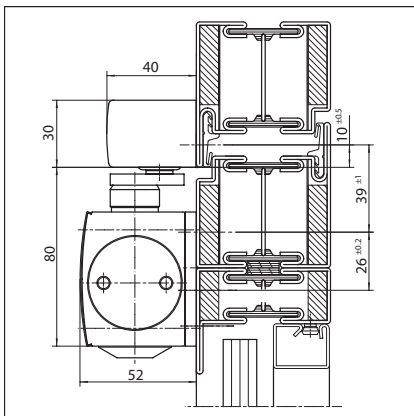
Door leaf mounting/opposite the hinge side TS 5000 L-E

View

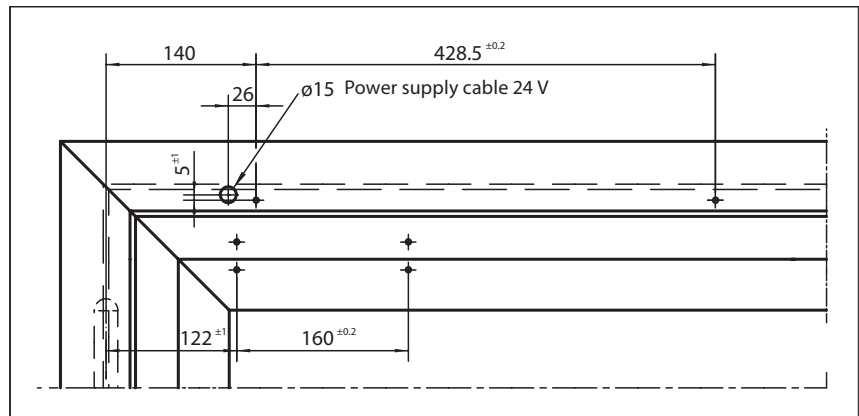


Mounting example of the GEZE TS 5000 L-E with mounting plate on a fire door

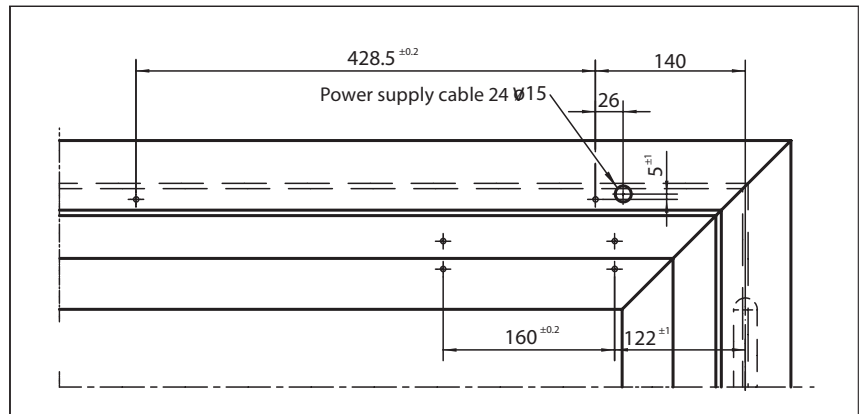
Mounting with mounting plate



Section = mounting with mounting plate

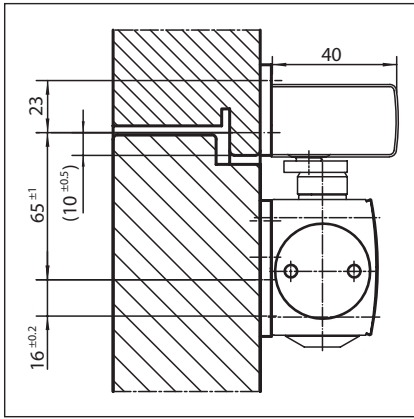


Fitting dimensions, right-hand door

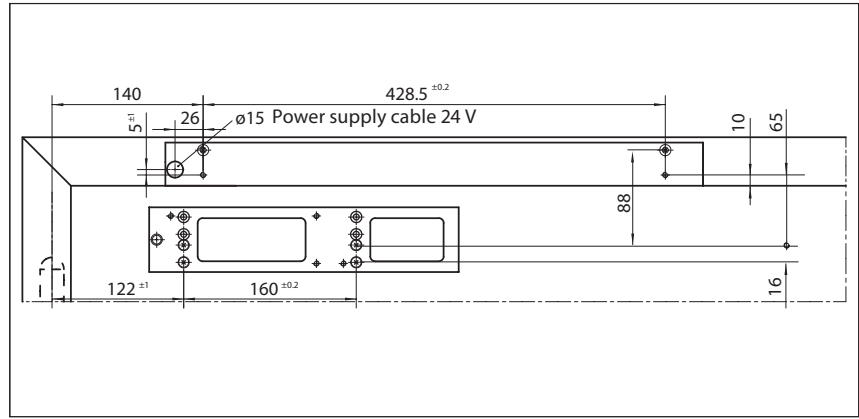


Fitting dimensions, left-hand door

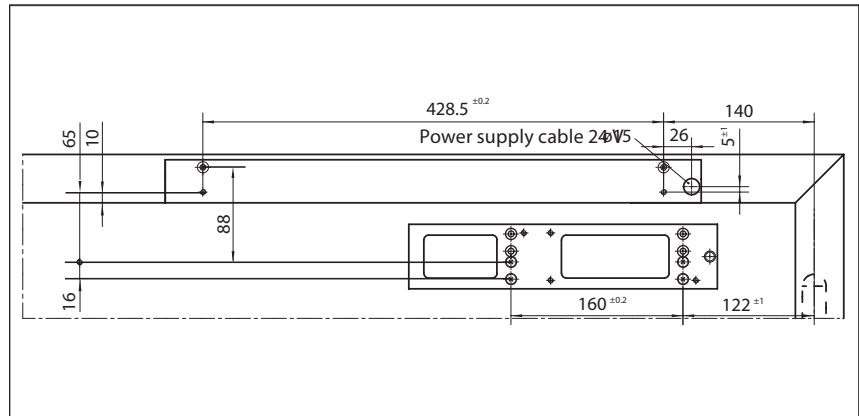
Mounting on narrow door frames



Section = mounting with mounting plate



Fitting dimensions, right-hand door



Fitting dimensions, left-hand door

GEZE TS 5000 E - order information

Description	Version	ID. No.
GEZE TS 5000 closer Size EN 2-6, with backcheck (without guide rail and lever)	dark bronze	027334
	to RAL ²⁾	027336
	white RAL 9016	027335
	silver	027333
GEZE TS 5000 L closer Size EN 2-6, with backcheck (without guide rail and lever)	dark bronze ²⁾	029399
	to RAL ²⁾	027352
	silver ²⁾	027351
	white RAL 9016 ²⁾	029400
TS 5000 E-guide rail with electrical hold-open and lever	dark bronze	116296
	to RAL ²⁾	116299
	Stainless steel effect ¹⁾	116298
	white RAL 9016	116297
BG TS 5000 E-guide rail with electrical hold-open and lever	silver	116295
	to RAL ²⁾	120072
	Stainless steel effect ¹⁾	120071
	white RAL 9016	120040
	silver	120039
Installation materials		
Door closer drilling template for TS 5000/4000/3000/2000		053134
Guide rail mounting plate for E-guide rail	to RAL ²⁾	123295
	silver	123294
Door closer mounting plate for TS 5000/4000 with drilling pattern to EN 1154 supplement 1	silver	049185
	dark bronze	052351
	to RAL ²⁾	029176
	galvanised	057956
Guide rail BG mounting plate for E-guide rail	white RAL 9016	068627
	to RAL ²⁾	123290
Lintel casing bracket, guide rail BG for E-guide rail	silver	123289
	to RAL ²⁾	123323
	silver	123322
Accessories		
Door closer cap for TS 5000/TS 4000	dark bronze	067725
	brass	072698
	to RAL ²⁾	000756
	Stainless steel	072696
	silver	067724
	white RAL 9016	067726
GEZE RSZ6 smoke switch control unit approved for all GEZE hold-open devices	Stainless steel effect ¹⁾	099856
	white RAL 9016	099858
	dark bronze	099857
	to RAL ²⁾	099859
GEZE RS 5 smoke switch for mounting on ceiling and lintel	silver	099851
	dark bronze	028939
	to RAL ²⁾	028941
	Stainless steel effect ¹⁾	028942
	silver	027052
	white RAL 9016	028940
GEZE interrupter button Concealed version, for manual release of electrically controllable door closers and retention magnets	alpine white	116266
Surface-mounted box pack		120503

1) For dry rooms only

2) Additional charge for special RAL colours, see general information