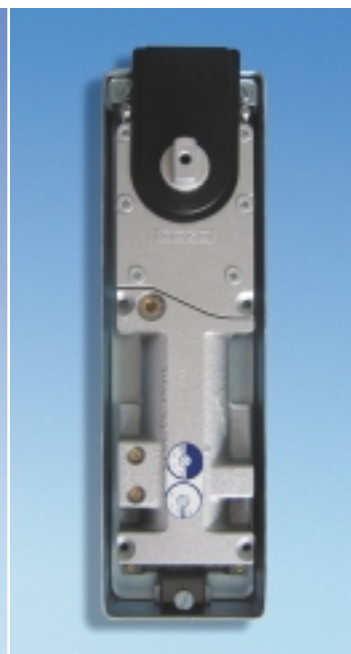
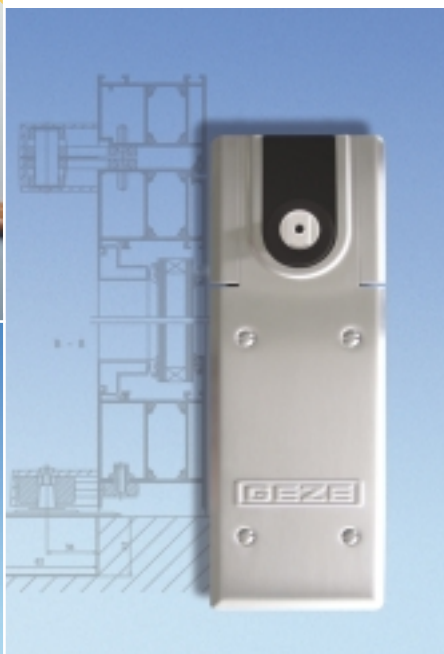
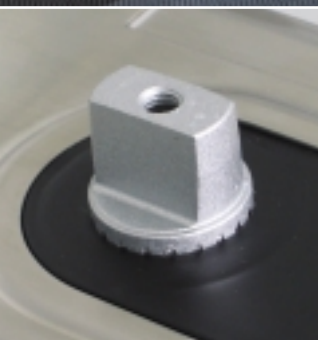


Floor springs for single-action and double-action doors



GEZE TS 500 NV / TS 500 N EN3





GEZE TS 500 NV / TS 500 N EN3

Floor springs for single-action and double-action doors

Product features GEZE TS 500 NV

- ▶ Overall height 42 mm
- ▶ Closing force adjustable size 1-4 according to EN 1154
- ▶ Back check
- ▶ Closing speed and latching action adjustable
- ▶ Safety valve preventing deliberate overloading
- ▶ Closing range from approx. 170°
- ▶ Large adjustment range: height 6 mm, lateral 10 mm, length 10 mm
- ▶ Galvanised cement box

Product features GEZE TS 500 N EN3

- ▶ Overall height 42 mm
- ▶ Closing force size 3 according to EN 1154
- ▶ Back check
- ▶ Closing speed adjustable
- ▶ Safety valve preventing deliberate overloading
- ▶ Closing range from approx. 170°
- ▶ Large adjustment range: height 6 mm, lateral 10 mm, length 10 mm
- ▶ Galvanised cement box

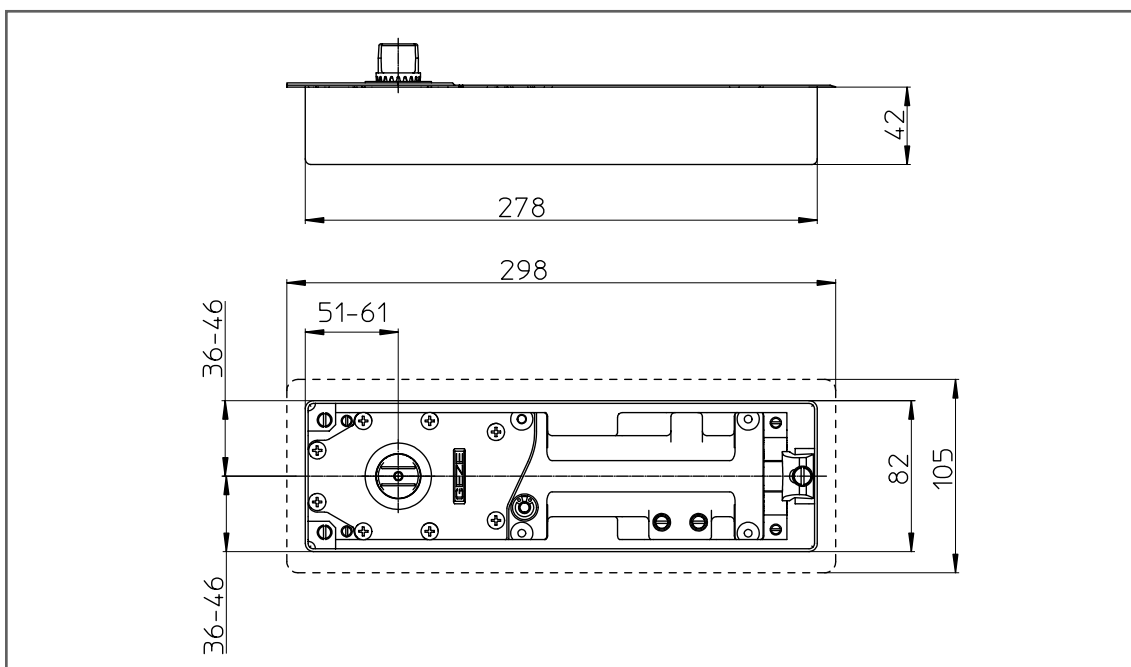
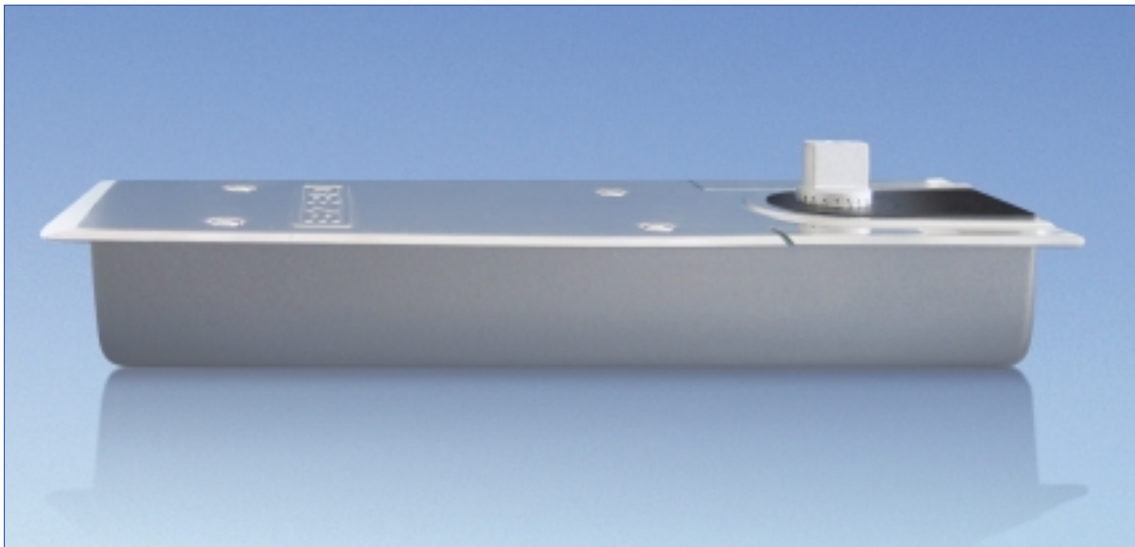


Fig. 2-1 (drawing showing GEZE TS 500 NV)

Application range GEZE TS 500 NV

- ▶ For right and left hand closing single-action doors
- ▶ For internal double-action doors
- ▶ For leaf width up to 1100 mm
- ▶ For leaf weights up to 150 kg

Application range GEZE TS 500 N EN3

- ▶ For internal right and left closing single-action doors
- ▶ For internal double-action doors
- ▶ For leaf width up to 950 mm
- ▶ For leaf weights up to 100 kg

Standard version/Package

Floor spring complete with flat-tapered spindle, cement box and installation instructions. Without hold-open mechanism (cover plate not included).

Special versions

- ▶ With hold-open mechanism 85°, 90°, 105° and 120°
- ▶ With extended spindle up to 50 mm (5 mm selection)

Cover plates

Various cover plates with screw accessories are available for GEZE TS 500 NV and GEZE TS 500 N EN3. Cover plates can be used for both right and left hand closing single-action doors and for double-action doors.

Material: Stainless steel, dark bronze and satin brass.

Pivot lever/Guide rail

For the installation of a floor spring for a single-action door a special pivot lever and door rail with a pivot point of 36 mm is required. (see separate brochure GEZE Accessories, ID No. 091608)

GEZE TS 500 NV

- 1 Toothed spindle
- 2 Adjustment closing force
- 3 Adjustment closing speed
- 4 Adjustment latching action

Specification text

Floor spring **GEZE TS 500 NV**
closing force adjustable size 1-4 acc. to EN 1154, latching action and closing speed adjustable, with fixed back check, overall height 42 mm, for double-action and single-action doors

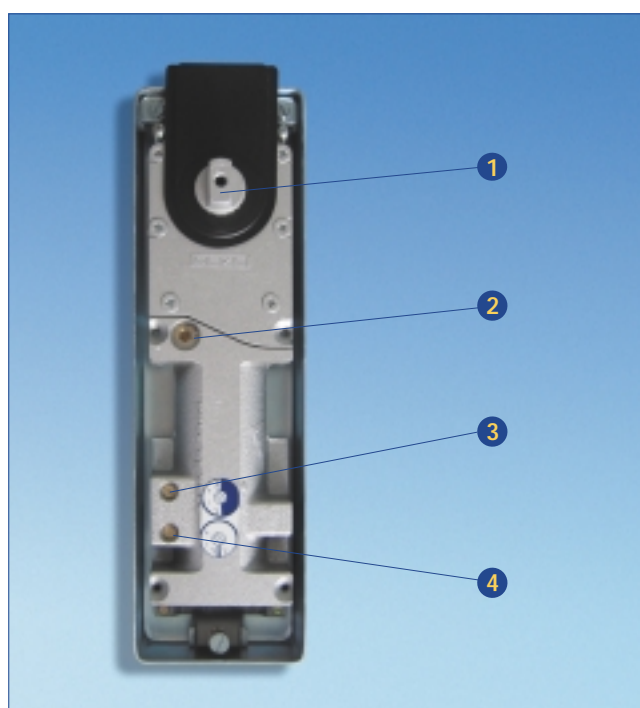
- () without hold-open mechanism
- () with hold-open mechanism, hold-open angle 85°
- () with hold-open mechanism, hold-open angle 90°
- () with hold-open mechanism, hold-open angle 105°
- () with hold-open mechanism, hold-open angle 120°

Cover plate:
() stainless steel
() dark bronze
() satin brass

Floor spring **GEZE TS 500 N EN3**
closing force size 3 acc. to EN 1154, closing speed adjustable, with fixed back check, overall height 42 mm, for internal, double-action and single-action doors

- () without hold-open mechanism
- () with hold-open mechanism, hold-open angle 85°
- () with hold-open mechanism, hold-open angle 90°
- () with hold-open mechanism, hold-open angle 105°
- () with hold-open mechanism, hold-open angle 120°

Cover plate:
() stainless steel
() dark bronze
() satin brass



Standard installation

Example showing the installation of a door rail, upper pivot, and floor spring GEZE TS 500 NV for a single-action door, see Fig. 4-1

Installation drawings are available for currently used profiles.

Drawing showing the dimensions of GEZE TS 500 NV (same dimensions for GEZE TS 500 N EN3), see Fig. 2-1

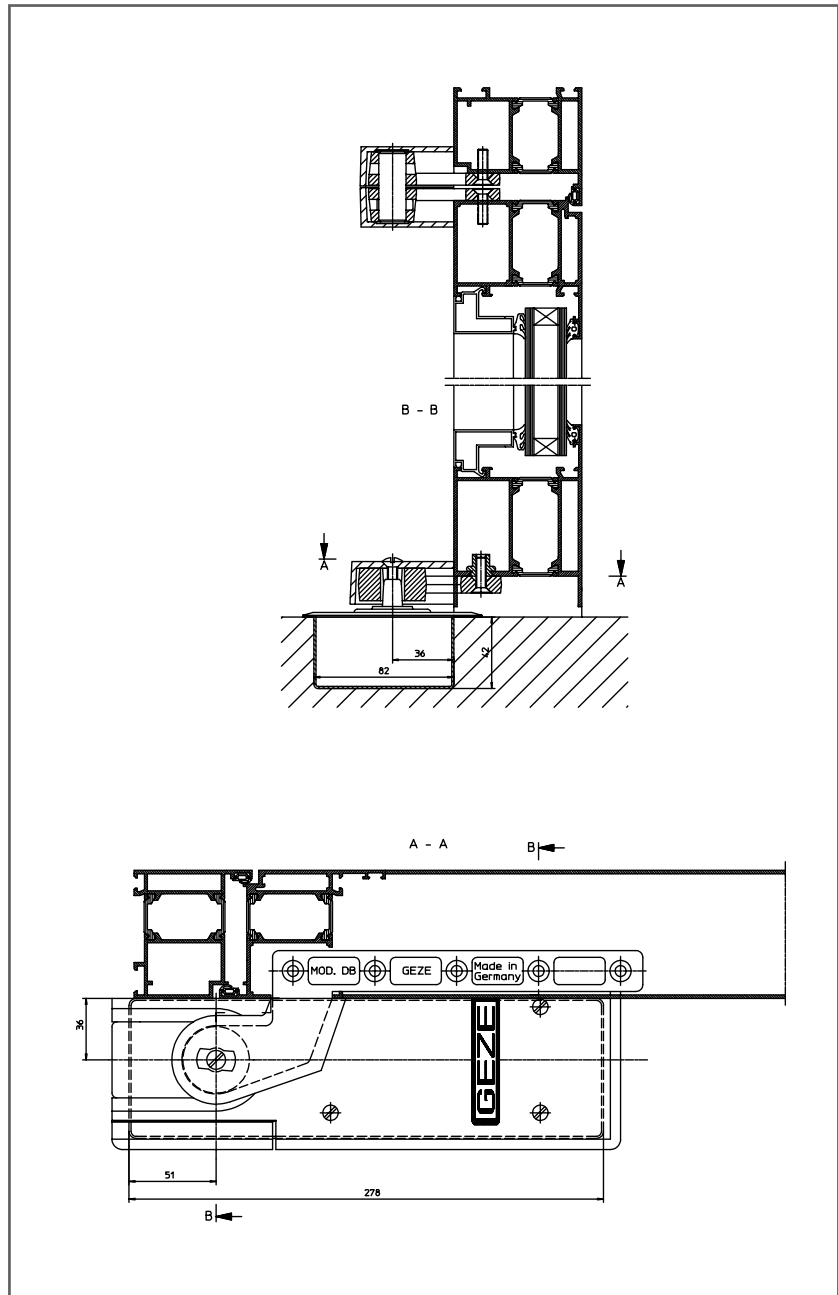


Fig. 4-1

Door rail, see Fig.4-2

Model	S	H
DM	16 mm	27 mm
DB, EK, FK	10 mm	24 mm
CM	19 mm	29 mm
C	19 mm	29 mm

If spindle extensions are used, the installation dimension for height "H" is increased by the length of the spindle extension.

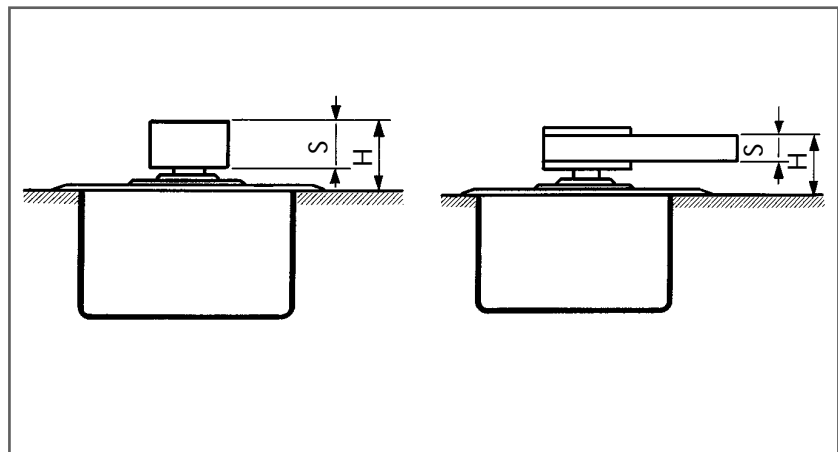


Fig. 4-2

GEZE TS 500 NV / TS 500 N EN3 – Ordering information

Description	Finish	ID No.
GEZE TS 500 NV without hold-open mechanism		102084
GEZE TS 500 NV with hold-open mechanism ¹⁾	hold-open angle: 85°	103974
	90°	104028
	105°	104029
	120°	104030
GEZE TS 500 N EN3 without hold-open mechanism		103086
GEZE TS 500 N EN3 with hold-open mechanism ¹⁾	hold-open angle: 85°	104046
	90°	104047
	105°	111594
	120°	111596
Accessories		
Cover plate for floor spring GEZE TS 500 NV / TS 500 N EN3	stainless steel	102127
	dark bronze	103011
	satın brass	103012
Toothed spindle extensions ²⁾	length 5 mm	010337
	8 mm	050930
	10 mm	010338
	13 mm	052170
	15 mm	010347
	20 mm	010372
	25 mm	010373
	28 mm	050931
	30 mm	010374
	35 mm	010377
	40 mm	010378
	45 mm	010381
50 mm	010385	

¹⁾ The specified hold-open angle applies to single-action doors. With double-action doors, each hold-open angle is 5° greater.
Example: A GEZE TS 500 NV with 85° hold-open will have a hold-open angle of 90°, if used as floor spring for double-action doors.

²⁾ The use of unextended spindle may become necessary depending on the mounting position. The original GEZE TS 500 NV / TS 500 N EN3 spindle can be easily unscrewed and replaced by a longer version.



GEZE GmbH
P.O. Box 1363
71226 Leonberg
Germany

GEZE GmbH
Reinhold-Vöster-Straße 21-29
71229 Leonberg
Germany
Telefon +49 (0) 7152-203-0
Telefax +49 (0) 7152-203-310

GEZE Online:
www.geze.com

GEZE Branch offices

Germany

GEZE GmbH
Niederlassung Nord/Ost
Bühningstraße 8
13086 Berlin (Weissensee)
Tel. +49 (0) 30-47 89 90-0
Fax +49 (0) 30-47 89 90-17
E-mail: berlin.de@geze.com

GEZE GmbH
Niederlassung West
Nordsternstraße 65
45329 Essen
Tel. +49 (0) 201-83082-0
Fax +49 (0) 201-83082-20
E-mail: essen.de@geze.com

GEZE GmbH
Niederlassung Mitte
Adenauerallee 2
61440 Oberursel (b. Frankfurt)
Tel. +49 (0) 6171-63610-0
Fax +49 (0) 6171-63610-1
E-mail: frankfurt.de@geze.com

GEZE GmbH
Niederlassung Süd
Reinhold-Vöster-Straße 21-29
71229 Leonberg
Tel. +49 (0) 7152-203-594
Fax +49 (0) 7152-203-438
E-mail: leonberg.de@geze.com

GEZE Subsidiaries

Germany

GEZE Sonderkonstruktionen GmbH
Planken 1
97944 Boxberg-Schweigern
Tel. +49 (0) 7930-9294-0
Fax +49 (0) 7930-9294-10
E-mail: sk.de@geze.com

GEZE Service GmbH
Reinhold-Vöster-Straße 25
71229 Leonberg
Tel. +49 (0) 7152-9233-0
Fax +49 (0) 7152-9233-60
E-mail: info@geze-service.com

GEZE Service GmbH
Niederlassung Berlin
Bühningstraße 8
13086 Berlin (Weissensee)
Tel. +49 (0) 30-470217-30
Fax +49 (0) 30-470217-33

Europe

Benelux

GEZE Benelux B.V.
Leemkuil 1
Industrieterrein Kapelbeemd
5626 EA Eindhoven
Tel. +31 (0) 40-26290-80
Fax +31 (0) 40-26290-85
E-mail: benelux.nl@geze.com

France

GEZE France S.A.R.L.
ZAC de l'Orme Rond
RN 19
77170 Servon
Tel. +33 (0) 1-60626070
Fax +33 (0) 1-60626071
E-mail: france.fr@geze.com

Great Britain

GEZE UK Ltd.
Blenheim Way
Fradley Park
Lichfield
Staffordshire WS13 8SX
Tel. +44 (0) 1543-443000
Fax +44 (0) 1543-443001
E-mail: geze.uk@geze.com

Italy

GEZE Italia Srl
Via Giotto 4
20040 Cambiagio (MI)
Tel. +39 02 95 06 95-11
Fax +39 02 95 06 95-33
E-Mail italia.it@geze.it

GEZE Engineering Roma Srl
Via Lucrezia Romana 91
00178 Roma
Tel. +39 06-7265311
Fax +39 06-72653136
E-mail: gezeroma@libero.it

GEZE Engineering Bari Srl
Via Treviso 58
70022 Altamura (Bari)
Tel. +39 080-3115219
Fax +39 080-3164561
E-mail: gezebari@libero.it

Austria

GEZE Austria GmbH
Mayrwiesstraße 12
5300 Hallwang b. Salzburg
Tel. +43 (0) 662-663142
Fax +43 (0) 662-663142-15
E-mail: austria.at@geze.com

Poland

GEZE Polska Sp. z o.o.
ul. Annopol 3 (Zeran Park)
03-236 Warszawa
Tel. +48 (0) 22-8142211
Fax +48 (0) 22-6142540
E-mail: geze@geze.pl

Switzerland

GEZE Schweiz AG
Bodenackerstrasse 79
4657 Dulliken
Tel. +41 (0) 62-285 54 00
Fax +41 (0) 62-285 54 01
E-mail: schweiz.ch@geze.com

Spain

GEZE Iberia S.R.L.
Pol. Ind. El Pla
C/ Comerc, 2-22, Nave 12
08980 Sant Feliu de Llobregat
(Barcelona)
Tel. +34-(0) 9-02 19 40 36
Fax +34-(0) 9-02 19 40 35
E-Mail iberia.es@geze.com

Scandinavia

Sweden

GEZE Scandinavia AB
Mallslingan 10
Box 7060
18711 Täby
Tel. +46 (0) 8-7323-400
Fax +46 (0) 8-7323-499
E-mail: sverige.se@geze.com

Norway

GEZE Scandinavia AB avd. Norge
Postboks 63
2081 Eldsvoll
Tel. +47 (0) 639-57200
Fax +47 (0) 639-57173
E-mail: norge.se@geze.com

Finland

GEZE Finland
Branch office of GEZE Scandinavia AB
Postbox 20
158 71 Hollola
Tel. +358 (0) 10-400 51 00
Fax +358 (0) 10-400 51 20
E-mail: finland.se@geze.com

Middle East

U.A.E.

GEZE Middle East
P.O. Box 17903
Jebel Ali Free Zone
Dubai
Tel. +971 (0) 4-8833112
Fax +971 (0) 4-8833240
E-mail: geze@emirates.net.ae

Asia

GEZE Asia Pacific Ltd.
Unit 630, Level 6, Tower 2
Grand Central Plaza
138 Shatin Rural Committee Road
Shatin, New Territories
Hong Kong
Tel. +852 (0) 237-57382
Fax +852 (0) 237-57936
E-mail: info@geze.com.hk

GEZE Industries (Tianjin) Co., Ltd.
Shuangchengzhong Road
Beichen Economic Development
Area (BEDA)
Tianjin 300400, P.R. China
Tel. +86 (0) 22-26973995-0
Fax +86 (0) 22-26972702
E-mail: geze@public1.tpt.tj.cn

GEZE Industries (Tianjin) Co., Ltd.
Branch Office Shanghai
Dynasty Business Center
Room 401-402
No. 457 WuRuMuQi North Road
200040 Shanghai, P.R. China
Tel. +86-(0) 21-52 34 09-60/-61/-62
Fax +86-(0) 21-52 34 09-63
E-mail: gezesh@geze.com.cn

GEZE Industries (Tianjin) Co., Ltd.
Branch Office Guangzhou
Room 1113, Jie Tai Plaza
218-222 Zhong Shan Liu Road
510180 Guangzhou
P.R. China
Tel. +86 (0) 20-813207-02
Fax +86 (0) 20-813207-05
E-mail: gezegz@public2.sta.net.cn

GEZE Industries (Tianjin) Co., Ltd.
Branch Office Beijing
The Grand Pacific Building
B Tower Room 201
8 A, Guanghua Road
Chaoyang District
100026 Beijing, P.R. China
Tel. +86-(0) 10-65 81 57-32/-42/-43
Fax +86-(0) 10-65 81 57 33
E-mail: gezebj@geze.com.cn

GEZE Asia Sales Ltd.

No. 88-1-408, East Road
Free Trade Zone of Tianjin Port
Tianjin, P.R. China
Tel. +86 (0) 22-26 97 39 95-0
Fax +86 (0) 22 26 97 27 02
E-mail: geze@public1.tpt.tj.cn

GEZE Asia Pacific Ltd.
Branch Office Singapore
Level 4

177 Kaki Bukit Avenue 1
Shun Li Industrial Park
Singapore 416023
Tel. +65 6846 1338
Fax +65 6846 9353
E-mail: info@geze.com.hk

