

## The hard facts - for your TS 550 NV

Technical data :

Order number	123950
Utilised for	Single and double action doors
Closing force as per EN 1154	Infinitely adjustable EN3 - EN6
Load	300 kg
Max. opening angle	single action door 170°, double action door 175°
Dimensions (length x height x width)	342 x 54 x 82 mm
Pivotal distance, lengthwise	51 - 60 mm
Pivotal distance, diagonal	36 - 46 mm
Adjusting range in cement box	9 mm in length, 6 mm in height, 10 mm in width
Closing speed	Adjustable
Latching action	Adjustable
Closing delay	Adjustable
Back check	Fixed as of approx. 70°
Hold-open	Variable between 80° and 165°, switchable
Safety valve	Against wilful overloading
Axis top	Interchangeable 5 - 50 mm
Test cycles	1.000.000

Accessories :

Sturdy cover plate, 1.5 mm thick

Stainless steel, satin	125888
Brass, satin	125890
Dark bronze	125889

Axis extensions

5 mm	010337
8 mm	050930
10 mm	010338
13 mm	052170
15 mm	010347
20 mm	010372
25 mm	010373
28 mm	050931
30 mm	010374
35 mm	010377
40 mm	010378
45 mm	010381
50 mm	010385

Special sealing compound against moisture

For one closer	058879
----------------	--------



Id. Nr. 129624 · Vers. GB 06/08 · Subject to alterations

**GEZE GmbH**  
P.O. Box 1363  
71226 Leonberg  
Germany

GEZE GmbH  
Reinhold-Vöster-Straße 21-29  
71229 Leonberg  
Germany  
Telefon +49 (0) 7152-203-0  
Telefax +49 (0) 7152-203-310

[www.geze.com](http://www.geze.com)

**Germany**  
GEZE GmbH  
Niederlassung Nord/Ost  
Bührlingstraße 8  
13086 Berlin (Weissensee)  
Tel. +49 (0) 30-47 89 90-0  
Fax +49 (0) 30-47 89 90-17  
E-mail: berlin.de@geze.com

**GEZE GmbH**  
Niederlassung West  
Nordsternstraße 65  
45329 Essen  
Tel. +49 (0) 201-83082-0  
Fax +49 (0) 201-83082-20  
E-mail: essen.de@geze.com

**GEZE GmbH**  
Niederlassung Mitte  
Adenauerallee 2  
61440 Oberursel (b. Frankfurt)  
Tel. +49 (0) 6171-63610-0  
Fax +49 (0) 6171-63610-1  
E-mail: frankfurt.de@geze.com

**GEZE GmbH**  
Niederlassung Süd  
Reinhold-Vöster-Straße 21-29  
71229 Leonberg  
Tel. +49 (0) 7152-203-594  
Fax +49 (0) 7152-203-438  
E-mail: leonberg.de@geze.com

**GEZE Sonderkonstruktionen GmbH**  
Planken 1  
97944 Boxberg-Schweigern  
Tel. +49 (0) 7930-9294-0  
Fax +49 (0) 7930-9294-10  
E-mail: sk.de@geze.com

**GEZE Service GmbH**  
Reinhold-Vöster-Straße 25  
71229 Leonberg  
Tel. +49 (0) 7152-9233-0  
Fax +49 (0) 7152-9233-60  
E-mail: info@geze-service.com

**Germany**  
GEZE Service GmbH  
Niederlassung Berlin  
Bührlingstraße 8  
13086 Berlin (Weissensee)  
Tel. +49 (0) 30-470217-30  
Fax +49 (0) 30-470217-33

**Austria**  
GEZE Austria GmbH  
Mayrwiesstraße 12  
5300 Hallwang b. Salzburg  
Tel. +43 (0)662-663142  
Fax +43 (0)662-663142-15  
E-mail: austria.at@geze.com

**Asia Pacific**  
GEZE Asia Sales Ltd.  
No. 88-1-408, East Road  
Free Trade Zone of Tianjin Port  
Tianjin, P.R. China  
Tel. +86 (0)22-26 97 39 95-0  
Fax +86 (0)22 26 97 27 02  
E-mail: Asiasales-info@geze.com.cn

**Baltic States**  
GEZE Baltic States  
Dzelzavas iela 120 5  
1021 Riga  
Tel. +371 (0)67 896 035  
Fax +371 (0)67 896 036  
E-mail: office-latvia@geze.com

**Benelux**  
GEZE Benelux B.V.  
Leemkuil 1  
Industrieterrein Kapelbeemd  
5626 EA Eindhoven  
Tel. +31 (0)40-26290-80  
Fax +31 (0)40-26290-85  
E-mail: benelux.nl@geze.com

**China**  
GEZE Industries (Tianjin) Co., Ltd.  
Shuangchenzhong Road  
Beichen Economic Development Area (BEDA)  
Tianjin 300400, P.R. China  
Tel. +86 (0)22-26973995-0  
Fax +86 (0)22-26972702  
E-mail: Sales-info@geze.com.cn

GEZE Industries (Tianjin) Co., Ltd.  
Branch Office Shanghai  
R. 3010, Tower 2, Grand Gateway  
No. 3 Hongqiao Road  
XuHui District  
200030 Shanghai, P.R. China  
Tel. +86 (0)21-644 75 908  
Fax +86 (0)21-644 72 007  
E-mail: gezesh@geze.com.cn

**China**  
GEZE Industries (Tianjin) Co., Ltd.  
Branch Office Guangzhou  
Room 17C3  
Everbright Bank Building, No. 689  
Tian He Bei Road  
510630 Guangzhou, P.R. China  
Tel. +86 (0)20-38 73 18 42  
Fax +86 (0)20-38 73 18 34  
E-mail: gezegz@geze.com.cn

GEZE Industries (Tianjin) Co., Ltd.  
Branch Office Beijing  
No. 6-32 Building  
Jili Avenue  
Daxing District  
100076 Beijing, P.R. China  
Tel. +86-(0)10-87 97 51-77/78  
Fax +86-(0)10-87 97 51-71  
E-mail: gezebj@geze.com.cn

GEZE Sonderkonstruktionen (Tianjin), Ltd.  
No. 6-32 Building  
Jili Avenue  
Daxing District  
100076 Beijing, P.R. China  
Tel. +86-(0)10-87 96 51-52  
Fax +86-(0)10-87 97 14-76  
E-mail: SalesSK-info@geze.com.cn

**France**  
GEZE France S.A.R.L.  
ZAC de l'Orme Rond  
RN 19  
77170 Servon  
Tel. +33 (0)1-60626070  
Fax +33 (0)1-60626071  
E-mail: france.fr@geze.com

**Hungary**  
GEZE Hungary  
Bartók Béla út 105 – 113  
1115 Budapest  
Tel. + 36 (0)1 481 4670  
Fax + 36 (0)1 481 4671  
E-mail: office-hungary@geze.com

**Iberia**  
GEZE Iberia S.R.L.  
Pol. Ind. El Pla  
C/ Comerc, 2-22, Nave 12  
08980 Sant Feliu de Llobregat (Barcelona)  
Tel. +34 (0)9-02 19 40 36  
Fax +34 (0)9-02 19 40 35  
E-Mail info@geze.es

**India**  
GEZE India  
409, Apeejay Business Center  
39, Haddows Road  
Chennai – 600 006  
Tamil Nadu  
Tel. + 91 (0)44 2821 1300  
Fax + 91 (0)44 2821 1300  
E-mail: office-india@geze.com

**Italy**  
GEZE Italia Srl  
Via Giotto, 4  
20040 Cambiago (MI)  
Tel. +39 02 95 06 95-11  
Fax +39 02 95 06 95-33  
E-Mail italia.it@geze.it

GEZE Engineering Roma Srl  
Via Lucrezia Romana, 91  
00178 Roma  
Tel. +39 06-7265311  
Fax +39 06-72653136  
E-mail: roma@geze.biz

**Kazakhstan**  
GEZE Central Asia  
384 Raiymbek ave., 3rd Floor  
050061 Almaty  
Tel. + 7 (0)777 265 06 05  
E-mail: office-kazakhstan@geze.com

**Poland**  
GEZE Polska Sp. z o.o.  
ul. Annopol 21  
03-236 Warszawa  
Tel. +48 (0)22-440 44 40  
Fax +48 (0)22-440 44 00  
E-mail: geze.pl@geze.com

**Romania**  
GEZE Romania  
Str. Ionescu Baican nr. 22  
021835 Bucuresti, sector 2  
Tel. +40 (0)21 250 77 50  
Fax +40 (0)21 250 77 50  
E-mail: office-romania@geze.com

**Russian Federation**  
GEZE Russia  
Kolodesnij pereulok 3, Str. 25  
Office No. 5201-5203  
107076 Moscow  
Tel. +7 (0)495 589 9052  
Fax +7 (0)495 589 9051  
E-mail: office-russia@geze.com

**Scandinavia**  
GEZE Scandinavia AB  
Mallslingan 10  
Box 7060  
18711 Täby, Sweden  
Tel. +46 (0)8-7323-400  
Fax +46 (0)8-7323-499  
E-mail: sverige.se@geze.com

GEZE Scandinavia AB avd. Norge  
Postboks 63  
2081 Eidsvoll, Norway  
Tel. +47 (0)6 39-57 200  
Fax +47 (0)6 39-57 173  
E-mail: norge.se@geze.com

GEZE Finland  
Branch office of GEZE Scand. AB  
Postbox 20  
158 71 Hollola  
Tel. +358 (0)10-400 51 00  
Fax +358 (0)10-400 51 20  
E-mail: finland.se@geze.com

**Scandinavia**  
GEZE Denmark  
Branch office of GEZE Scand. AB  
Høje Taastrup Boulevard 53  
2630 Taastrup  
+45 (0)46-323324  
+45 (0)46-323326  
E-Mail: danmark.se@geze.com

**South Africa**  
DCLSA Distributors (Pty.) Ltd.  
1027 Richards Drive, Midrand  
P.O. Box 7934  
Midrand 1685  
Tel. +27 (0)11 315 82 86  
Fax. +27 (0)11 315 82 61  
E-mail: info@dclsa.co.za

**Switzerland**  
GEZE Schweiz AG  
Bodenackerstrasse 79  
4657 Dulliken  
Tel. +41 (0)62-285 54 00  
Fax +41 (0)62-285 54 01  
E-mail: schweiz.ch@geze.com

GEZE Security Systems GmbH  
Bodenackerstrasse 79  
4657 Dulliken  
Tel. +41 (0)62-285 55 00  
Fax +41 (0)62-285 55 01  
E-mail: schweiz.ch@geze.com

**Turkey**  
GEZE Turkey  
Atatürk mah. Ata 2-3  
PLAZA kat 9 D. 84  
34757 Atasehir – Istanbul  
Tel. + 90 (0)216 4554315  
Fax + 90 (0)216 4558215  
E-mail: office-turkey@geze.com

**Ukraine**  
GEZE Ukraine  
Vikentija Hvojki str. 21  
Office 151  
04655 Kiev  
Tel. +380 (0)44 499 77 25  
Fax +380 (0)44 499 77 25  
E-mail: office-ukraine@geze.com

**United Arab Emirates/GCC**  
GEZE Middle East  
P.O. Box 17903  
Jebel Ali Free Zone  
Dubai  
Tel. +971 (0)4-8833112  
Fax +971 (0)4-8833240  
E-mail: geze@emirates.net.ae

**United Kingdom**  
GEZE UK Ltd.  
Blenheim Way  
Fradley Park  
Lichfield  
Staffordshire WS13 8SY  
Tel: +44 (0) 1543 443000  
Fax: +44 (0) 1543 443001  
Email: info@geze-uk.com



Galerieverein Stadt Leonberg

## GEZE Floor spring TS 550 NV



# The new GEZE TS 550 NV Floor spring – robustness and with all extras included

The TS 550 NV offers convenience and elegance for single action as well as double action doors with a leaf weight up to 300 kg. The invisible functionality is an undeniable advantage especially for all-glass doors. Its versatility and durability is particularly useful for highly frequented doors in the entry area, e.g. in office buildings or hall doors. During the development, particular emphasis was placed on the following points:



### Convenient and simple for the planner and fitter

- ▶ Variable adjustable EN 3-6 closing force guarantees flexible use even for great wind loads or heavy doors
- ▶ Overall depth of only 54 mm - utilisation also possible for existing doors
- ▶ Leaf weights up to 300 kg are possible
- ▶ Leaf widths up to 1,400 mm for ideal passages
- ▶ Adjustable latching action guarantees secure closing
- ▶ All adjustments - even the closing force - are possible from above

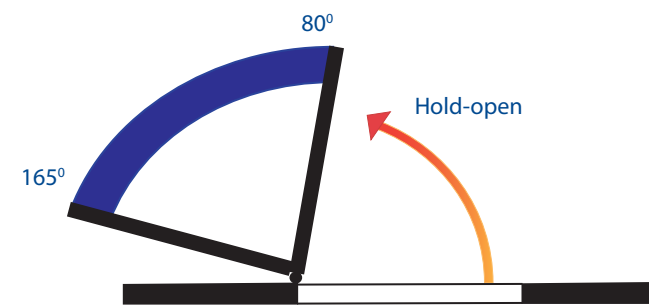


### Convenient and secure for the user

- ▶ Progressive hydraulic hold-open between 80° - 165° - flexible adaptation to all conditions
- ▶ Integrated closing delay prevents the door from closing too quickly – e.g. facilitates goods transport
- ▶ Integrated back check prevents damage and/or the door from slamming open uncontrolled
- ▶ High-quality individual components for years of usage without signs of wear.



Switchable, progressive hydraulic hold-open of the door in the range of 80° - 165°. Stays open at any, and not just one, position and thereby perfectly adapts itself to the respective usage conditions.



**Hint:** If you would prefer delayed closing rather than complete door hold-open - e.g. for convenient loading and unloading, or in hospitals - then this can be activated simply by using the valve as an alternative to the hold-open!



Interchangeable spindle top and up to 300 kg load

Convenient adjustable closing force of EN3 to EN6 from above (even after installation)

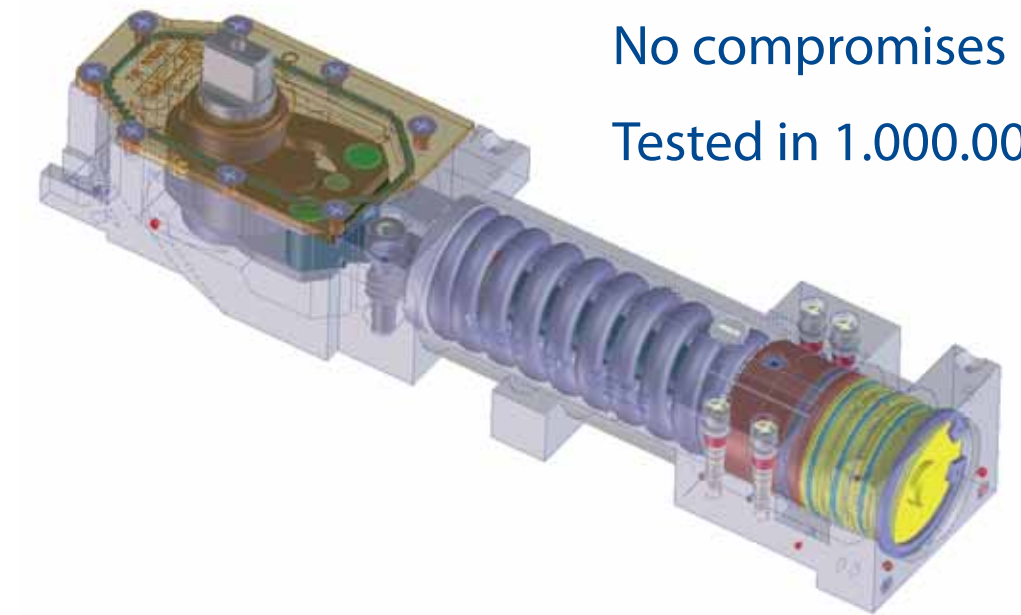
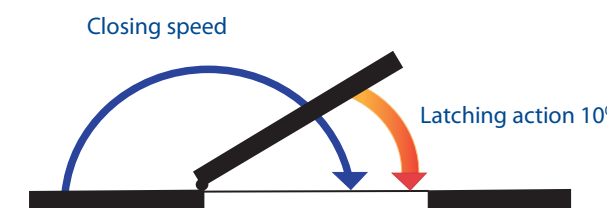
3 valves to adjust the:

- ▶ Closing speed
- ▶ Latching action
- ▶ Hold-open / Closing delay

New fastening system for simple and secure fixation



Always have full control of your doors: With two valves you can easily adjust the closing speed as well as the latching action to safely close the door. In addition, the thermo-stabilised valves omit the conversion between summer and winter.



No compromises :  
Tested in 1.000.000 cycles

### Convincing quality!

The new TS 550 NV - a floor spring for the toughest use.

- Spring** Advanced and of high-strength chromium-silicon steel. No loss of strength even after years of operation.
- Piston** Case-hardened piston for the greatest tensile strength and extreme resistance towards wear, combined with innovative sealing technology
- Housing** Sturdy grey cast iron, high corrosion resistance
- Mount** Designed for extra heavy leaf weights of up to 300 kg. Additional supporting roller bearings for a high degree of efficiency.
- Safety valve** Wilful damage to the closer and/or the door by over-pushing is excluded.

### Specification text

GEZE floor spring TS 550 NV, closing force infinitely adjustable between size EN3 - EN6, with switchable, variable hold-open between 85° to 165°, load up to 300 kg, closing speed and latching action adjustable, fixed back check, closing delay possible, for single and double action doors.

Surface plate  
 ( ) Stainless steel, satin  
 ( ) LM, dark bronze  
 ( ) Brass, satin

