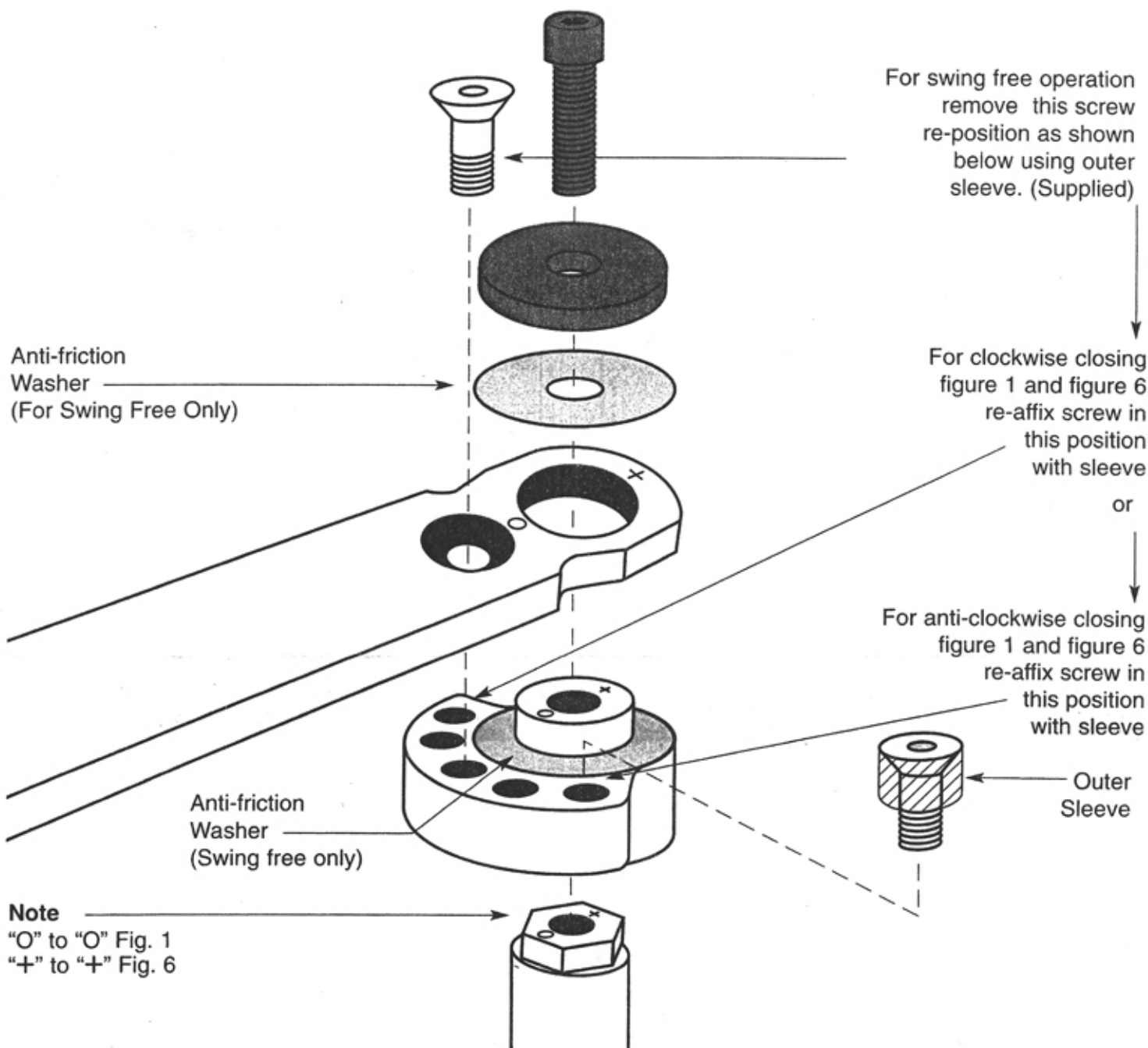
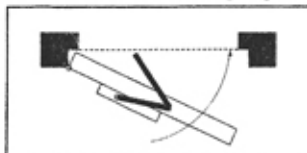


# Hold Open Swing Free Arm

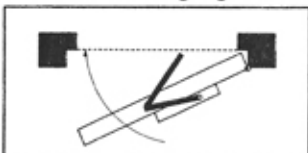
The arm unit is supplied assembled for hold-open function in any application.



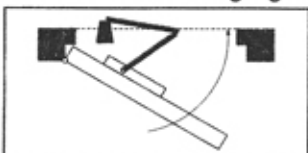
Anti-clockwise closing. fig. 1



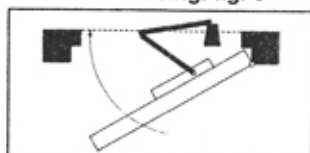
Clockwise closing. fig. 1



Anti-clockwise closing. fig. 6



Clockwise closing. fig. 6

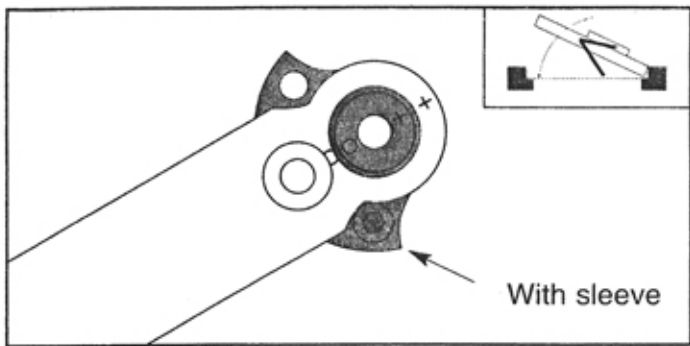


Once the unit is fitted and power is supplied, open the door to at least 90 degrees to activate the swing free action. The door will now operate as if there was no door closer fitted until either the fire alarm is activated, power is lost or the test switch is operated. When any of the above occurs the door will automatically close by the action of the door closer.

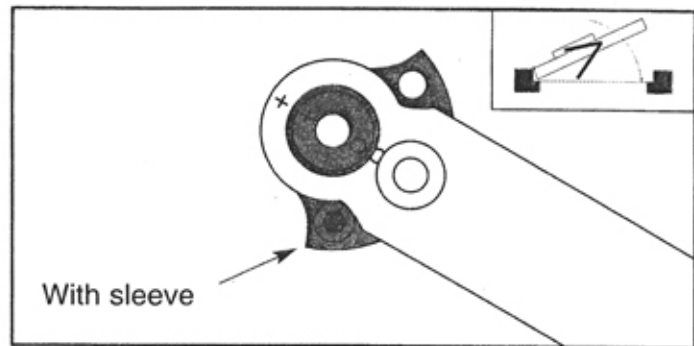
**Note**

Fig. 6 only restriction opening. Select one of the mid position holes in conjunction with handing requirement.

# Swing Free Applications

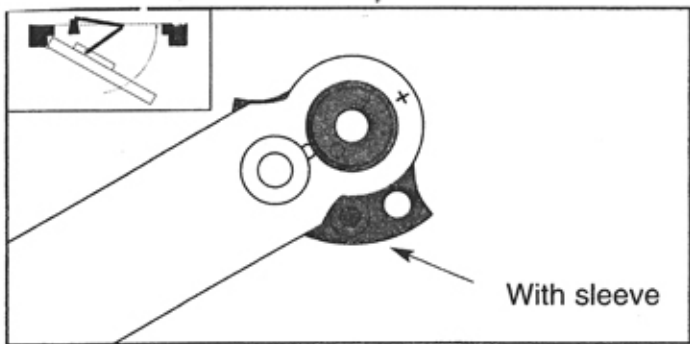


Anti-clockwise closing swing free Fig 1

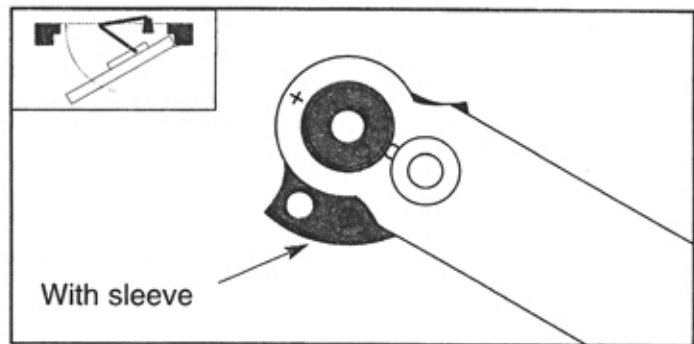


Clockwise closing swing free Fig 1

Where the closer is fitted in figure 6 and the door cannot be opened beyond 90°, fit the counter sunk screw with sleeve one hole nearer the centre as shown below.

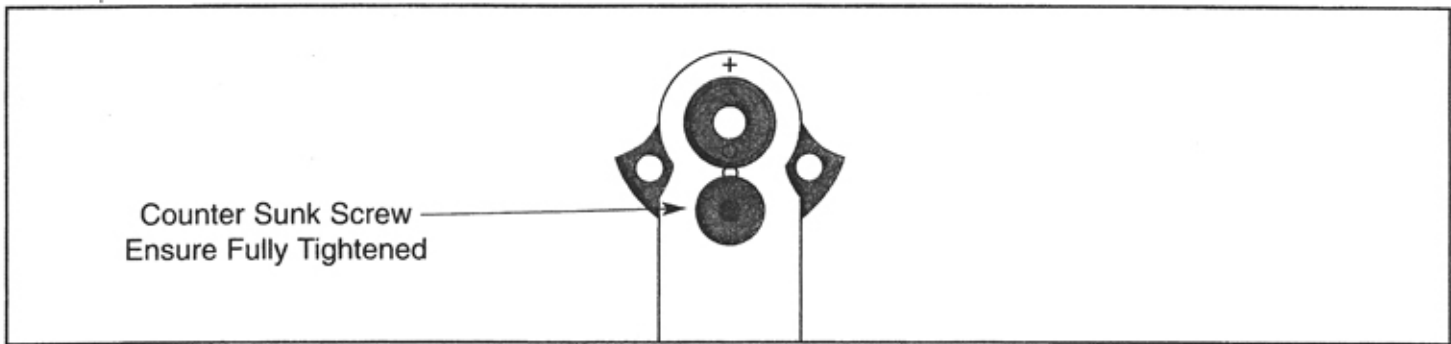


Anti-clockwise closing swing free Fig 6



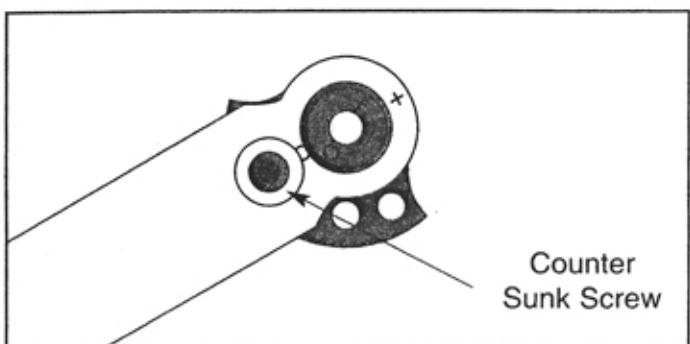
Clockwise closing swing free Fig 6

# Hold Open Applications

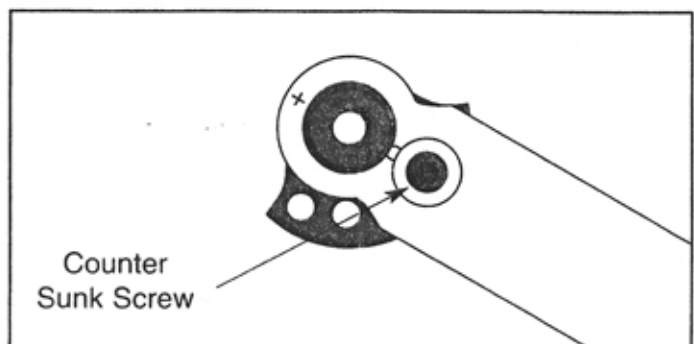


Clockwise closing hold open & Anti-clockwise closing hold open Fig 1

Where the closer is fitted in figure 6, fit the counter sunk screw one hole away from the centre through the arm aperture as shown below.



Anti-clockwise closing hold open Fig 6



Clockwise closing hold open Fig 6