



GEZE TS 550 E

Floor spring with electromechanical hold-open device, EN1155, size range 3-6

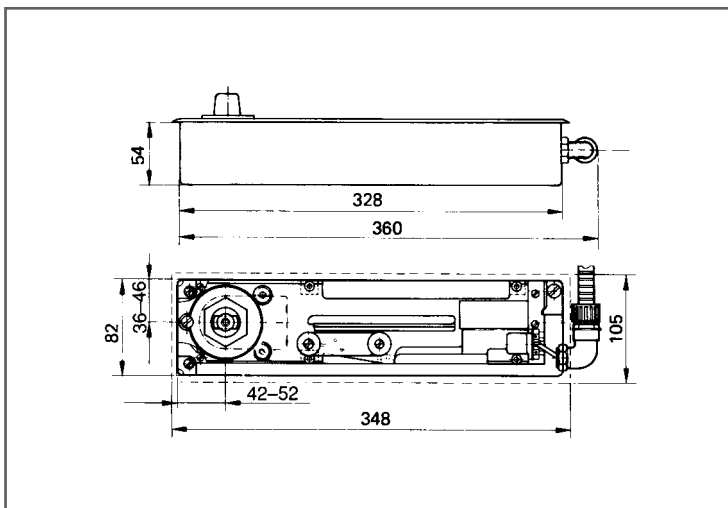


Fig. 10

Approved for recognised smoke detection systems by the institute for civil engineering, Berlin.
(Certificate on request)

550 E

Product features

- ▶ Infinitely variable hold-open, can be enabled and disabled (80°-180°)
- ▶ Closing force adjustable from outside, size 2-5 to EN 1154
- ▶ Closer in only one construction size
- ▶ Adjustable closing speed
- ▶ Adjustable latching action
- ▶ Safety valve
- ▶ Closing range from approx. 180°
- ▶ Large adjustment range:
Height: 6 mm
Lateral: 10 mm
Length: 10 mm
- ▶ Operating voltage 24 V DC
- ▶ Connection cable approx. 3 m

Applications

- ▶ For right and left hand single action doors
- ▶ For leaf widths up to 1400 mm
- ▶ For leaf weights up to 250 kg
- ▶ For smoke and fire doors with provision for DIN floor spring

Standard version/package

Floor mounted door closer complete with flat-conical spindle, cement box, and mounting instructions and plug-in extension lead (cover plate not included).

Cover plates

Various cover plates (which can be used for both right and left hand doors) with screw accessories are available for **GEZE TS 550 E**.

Material:

- ▶ Stainless steel
- ▶ Dark bronze
- ▶ Satin brass

Pivot lever / Guide rail

- ▶ For the installation of the floor spring a special pivot lever and guide rail with a pivot point of 36 mm is required
- ▶ See separate **GEZE Accessories** brochure

Accessories

Protective conduit for electric cable (approx. 3m)

Door closer size EN	Door leaf width to EN (mm)
3	to 950
4	over 950 to 1100
5	over 1100 to 1250
6	over 1250 to 1400

Explanations

The standards stipulate that the door closer size (closing force of the closer) must be selected appropriate to the door width. The next highest size must be selected if

the structural (door height, door weight) or local conditions (wind influence) make this necessary.

The **GEZE TS 550 E** covers several door closer sizes in one housing. These sizes can be adjusted using an adjustment screw.

TS 550 E

TS 550 E

Standard installation

Example showing the installation of a door rail, upper pivot, and **GEZE TS 550** for a single action door, see Fig. 6 on page 14.

Installation drawings are available for currently used profiles.

Door rail model	S (mm)	H (mm)
(see Fig. 11)		
DM	16	27
DB, EK, FK	10	24

If spindle extensions are used, the installation dimension for height "H" is increased by the length of the spindle extension.

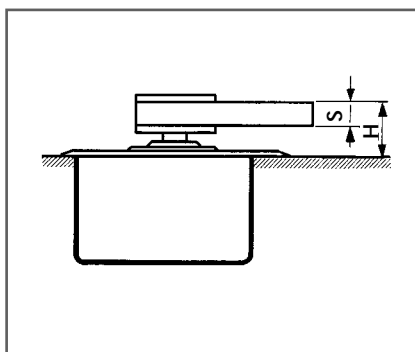


Fig. 11

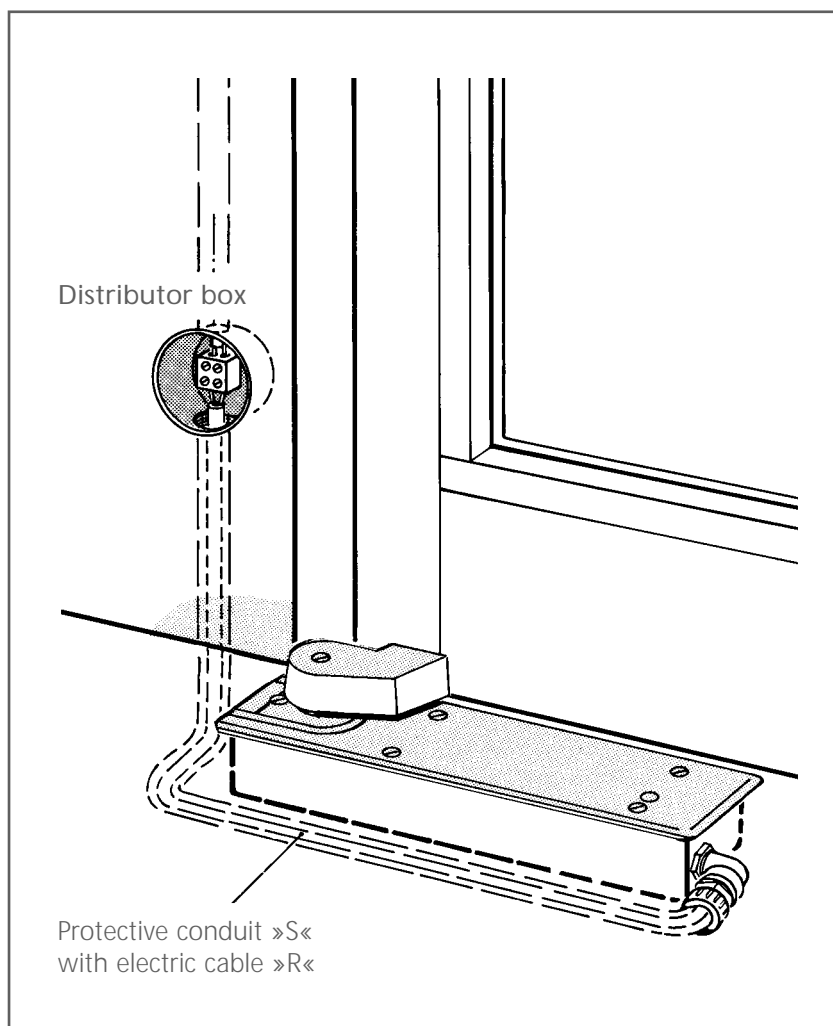


Fig. 12

Electrical installation

The closer **GEZE TS 550 E** must be connected to a power supply to allow the door to be held open.

Electrical data

- ▶ Operating voltage 24 V DC
- ▶ Voltage tolerances +10% / -15%
- ▶ Max. residual ripple 20%
- ▶ Connected load 110 mA

Function

- ▶ Voltage applied to closer = door held open
- ▶ No voltage applied or switched off = door not held open; door closes automatically

The door can be closed manually at any time regardless of whether or not voltage is being applied. If a power failure occurs or the closer is electrically tripped,

the closer must be »tensioned« again. To allow this, the door must close with back-check at least once. The closer can then be held open again. This effect only occurs in the case of a power failure or electrical tripping, and not if the door is closed manually whereby the closer can be actuated in the same way as the standard **TS 550** with mechanical hold-open.


Power supply cable

The power supply cable should be laid to a junction box next to the door closer. The cable »R« is included in the package and should be installed in a protective conduit as shown in the illustration.

The protective conduit »S« is available as a **GEZE-accessory** (see Fig. 12).

Floor spring with electromechanical fixing **GEZE TS 550 E**

Ordering text

Description	Operating voltage	Rebate type	ID No.
 GEZE TS 550 E	24 V DC	DIN left	064975
		DIN right	064976

Accessories

Description	Length (mm)	Finish	ID No.
Cover plate for GEZE TS 550 E		stainless steel	057766
		dark bronze	057769
		satin brass	057767
Protective conduit			063558
Spindle extensions ^{1) 2)}	5		010337
	8		050930
	10		010338
	13		052170
	15		010347
	20		010372
	25		010373
	28		050931
	30		010374
	35		010377
	40		010378
45		010381	
50		010385	

1) Only for approved fire and smoke protection doors where the use of spindle extensions has been specified in the official approval certificate.
2) The use of an extended spindle may become necessary depending on the mounting position.
The original TS 550 spindle can be unscrewed and replaced with a longer version effortlessly.

Feature

Floor spring
GEZE TS 550 E 24 V DC,
with electromechanical
hold-open can be adju-
sted effortlessly and pre-
cisely between 80° and

180°. Closing force
size 3-6 as per EN 1155,
adjustable closing speed
and latching action,
with stainless steel
cover plate.