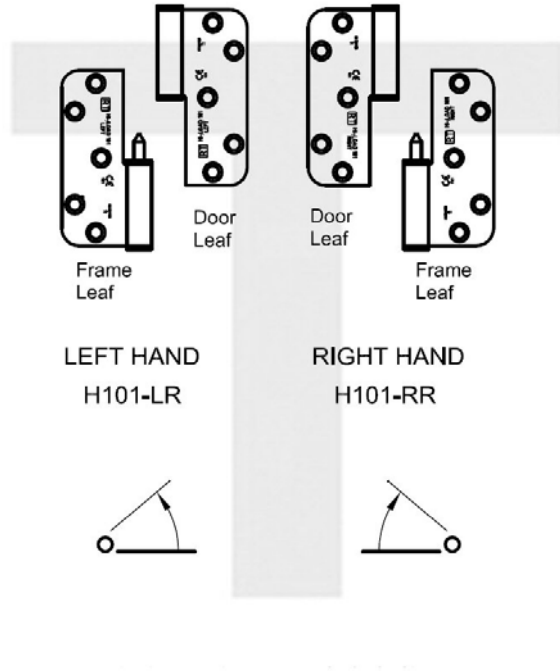
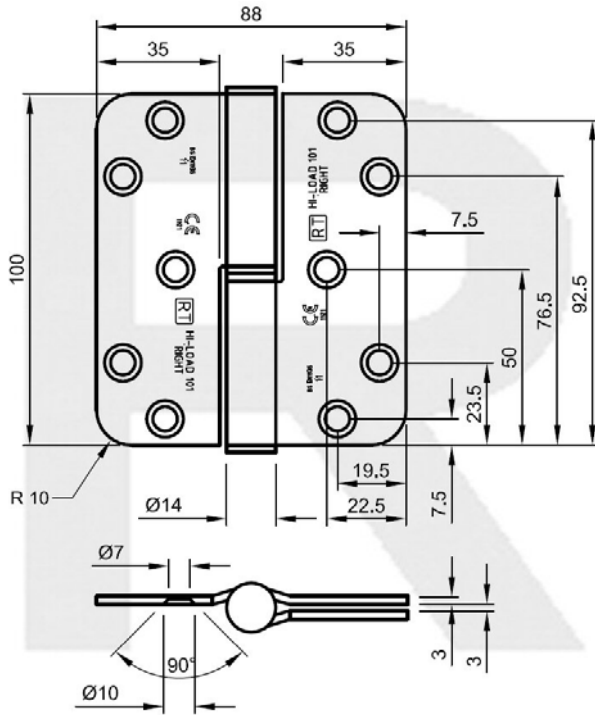


Royde & Tucker H101 HI-LOAD lift-off hinge



- 100x88x3mm lift-off hinge
- Grade 316, 304 stainless or mild steel
- Maintenance free, guaranteed for 25 years
- CE Certificate No. 1121-CPD-AC0029 (SS)
- CE Certificate No. 1121-CPD-AC0020 (MS)
- Certifire Approved – CF209
- To BS EN 1935 Grade 11
- c/w M5 x 30mm screws
- Appropriate for use with backcheck door closers
- Maximum adjusted door weight 80kg
- Minimum door thickness 44mm
- Unit weight 0.28kg
- Packing box quantity 10 or 50 OR door leaves and frame leaves packed separately in 20's or 100's

Note: R10 corner radius for easier fitting

Royde & Tucker Ltd
 Bilton Road
 Cadwell lane
 Hitchin
 SG4 0SB
 Tel: 01462 444444
 Fax: 01462 444433
 www.ratman.co.uk
 e-mail: sales@ratman.co.uk

Royde & Tucker Hinge instruction

HI-LOAD STEEL LIFT OFF BUTT HINGES

MODELS: - H086, H087, H101, H105, H107, H126

HI-LOAD lift-off hinges are designed for medium and high frequency use doors. In accordance with BS 4787, three hinges per door leaf should be fitted. HI-LOAD hinges are guaranteed against wear for a period of 25 years, provided they are correctly specified and fitted.

Model	Minimum Door Thickness	Maximum Adjusted Door Weight-3 Hinges
H086	35 mm	40 kgs
H087	35 mm	60 kgs
H101	44 mm	80 kgs
H105	44 mm	80 kgs
H107	44 mm	120 kgs
H126	44 mm	120 kgs

ADJUSTED DOOR WEIGHT CALCULATION TABLE			
Actual Door Weight +	Doors of excess width, Please refer to catalogue	= Adjusted Door Weight	
	Door Closer		+20%
	Door Closer (Backcheck)		+75%
	Extra Heavy Use Light Use		+10% -10%

FIXING INSTRUCTIONS:

Lift off hinges are left and right handed. Always fit the hinge part with the pin to the door frame, and with the pin pointing up.

- 1) Mark out and cut mortice.
- 2) Drill pilot holes, sized to suit the fixing screws and the type of frame material being screwed into.
- 3) Ensure screws are fully tightened.
- 4) No lubrication or maintenance is required.

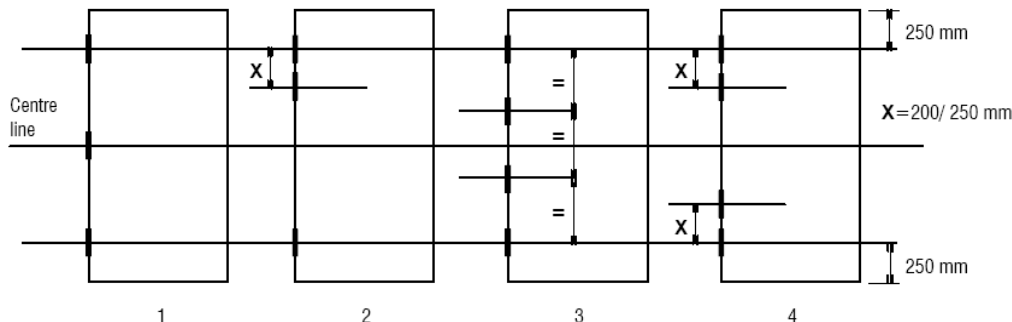
IMPORTANT:

- a) HI-LOAD hinges are very accurately manufactured with very little clearance or play. Ensure that the hinge halves are accurately fitted both vertically and laterally, and that the axes of the pins are in line.
- b) The HI-LOAD hinge should not need painting – if it is to be painted, on no account must paint be allowed onto the bearing surfaces.
- c) The HI-LOAD hinge must not be stoved or heated.
- d) When assembling the door to the frame take care not to damage the bronze bearing.
- e) For all fire doors, the hinges should be bedded in intumescent mastic in accordance with the manufacturer's instructions.

HINGE POSITIONING:

For maximum resistance to warping, position the hinges with equal spacing. (diag. 1 & 3)

For maximum load carrying ability, fit 2 hinges high and 1 or 2 hinges low. (diag. 2 & 4)



Bright zinc finish offers both a pleasing aesthetic and robust finish. However, it must be remembered that it is a sacrificial plating and may discolour and tarnish when exposed to adverse conditions. i.e. dampness, salt spray, wet trade pollution and certain cleaning materials.

Royde & Tucker Ltd

Bilton Road
Cadwell lane
Hitchin
SG4 0SB

Tel: 01462 444444

Fax: 01462 444433

www.ratman.co.uk

e-mail: sales@ratman.co.uk