

Outside Access Devices



All Exidor 500 series OAD's have been certified for use with the Exidor 500 series range of bolts and latches. The use of any other OAD will invalidate the CE marking on these products.

500/L Lever Operated Outside Access Device

The Exidor 500/L offers a lever operated outside access device that meets the dimensional requirements of the Equality Act 2010 (formerly known as the DDA) and BS8300 – Approved Document “M”.

The 500/L is supplied with three keys, and has the advantage that a master keyed 40mm Euro profile cylinder can be used. Suitable for use with the Exidor 500 series, the 500/L offers access from the outside of the door.

- Non-handed
- Meets the dimensional requirements of BS8300 and approved document “M”
- Surface mounted on the outside of the door using two/three machine screws
- Same fixing points as the 500/K – easy retro fit
- Supplied as standard for doors up to 55mm thick

Performance

When locked, the lever is disengaged from the mechanism and still rotates therefore preventing unauthorised entry and damage to the unit. When unlocked, the lever, spindle and mechanism engage allowing the shoot bolts, latch or Pullman latches to be withdrawn from the outside of the door. The lever remains engaged until the mechanism is re-locked.

Finishes

Available as standard in silver, white or black, there is also a choice of RAL colours (see page 4).

500/K Knob Operated Outside Access Device

The Exidor 500/K offers a Knob operated outside access device that is supplied with three keys and has the advantage that a master keyed 40mm Euro profile cylinder can be used. Suitable for use with the Exidor 500 series, the 500/K offers access from the outside of the door.

- Non-handed
- Surface mounted on the outside of the door using two/three machine screws
- Same fixing points as the 500/L – easy retro fit
- Supplied as standard for doors up to 55mm thick

Performance

When locked, the Knob is disengaged from the mechanism and still rotates therefore preventing unauthorised entry and damage to the unit. When unlocked, the Knob, spindle and mechanism engage allowing the shoot bolts, latch or Pullman latches to be withdrawn from the outside of the door. The Knob remains engaged until the mechanism is re-locked.

Finishes

Available as standard in silver, white or black, there is also a choice of RAL colours (see page 4).



500/LEC

Options available

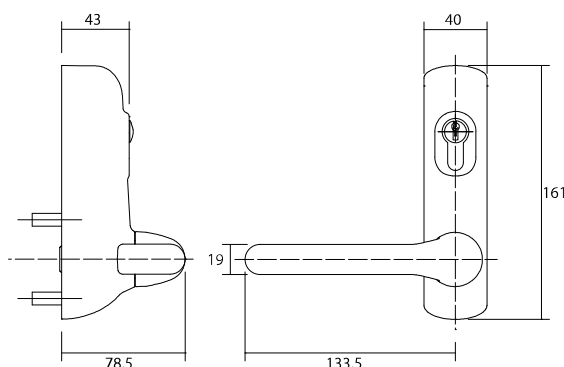
- 500/LEC Lever operated OAD with Euro cylinder
- 500/LEA Lever operated OAD with Euro profile aperture



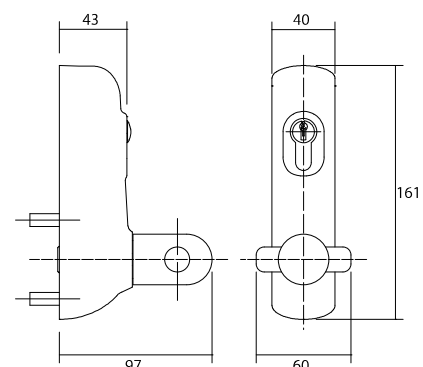
500/KEC

Options available

- 500/KEC Knob operated OAD with Euro cylinder
- 500/KEA Knob operated OAD with Euro profile aperture



500/LEC



500/KEC