

**Mechanical Push Button Outside Access Devices**

- CL1 Push Button Mechanical Code Lock**
- CL2 Push Button Mechanical Code Lock with Passage Function**
- CL3 Quick Code Mechanical Code Lock**  
(Code can be changed without removing the unit)
- CL4 Quick Code Mechanical Code Lock with Passage Function**  
(Code can be changed without removing the unit)

The CL range of mechanical push button outside access devices offer a simple solution where access control is required to operate the 500 series of panic and emergency hardware.

There are two options within the range, the standard CL1/CL2 and the quick code CL3/CL4.

The quick code option allows the mechanical code to be changed swiftly, without having to remove the unit from the door.

Each version is available as a standard product, or with the passage function which allows the unit to be set in the code free mode allowing the handle to be opened without entering a code.

Finished in PVD stainless steel or PVD brass, the CL range is suitable for high usage exterior applications, including corrosive environments, and all are supplied with three spindles, ensuring complete compatibility with the Exidor 500 series.

- 1,584 different codes available
- Non handed
- Reversible safety lever
- Surface mounted using concealed screws
- Clutch protection on the outside lever
- Supplied with spindles for doors from 35mm to 60mm thick
- PVD weather resistant finish
- Available in stainless steel or brass finishes

**Performance**

Once the correct code has been entered, the handle is released allowing the operation of the 500 series panic and emergency hardware from the outside of the door. When the handle returns to the horizontal position, it re-locks and the code needs to be entered again if access is required.

If the unit is set in passage mode, no code is required to operate the handle.

**Finishes**

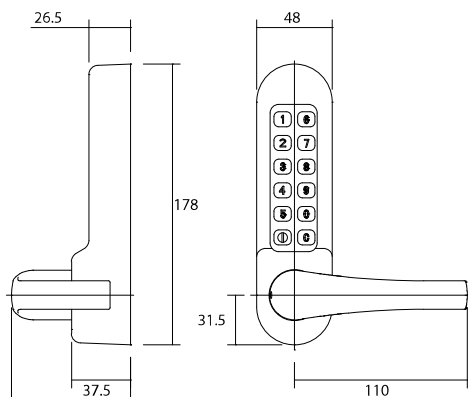
PVD stainless steel or PVD brass.



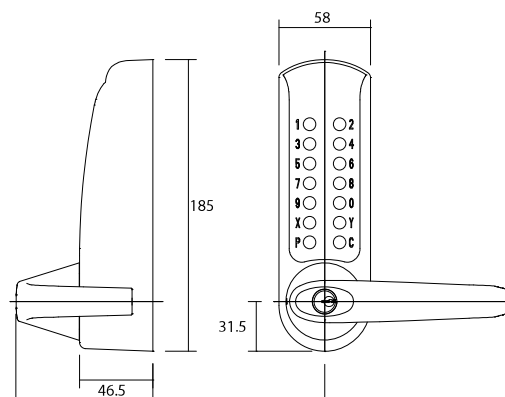
CL1 / CL2



CL3 / CL4



CL1 / CL2



CL3 / CL4