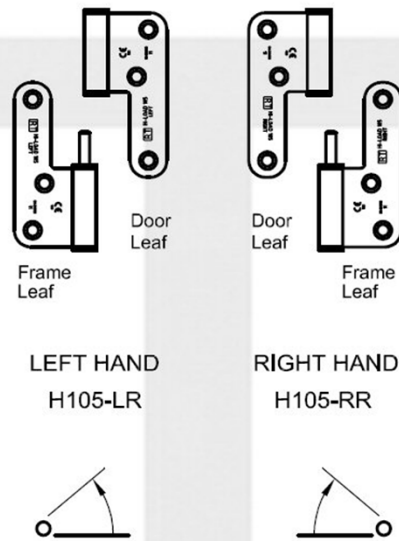
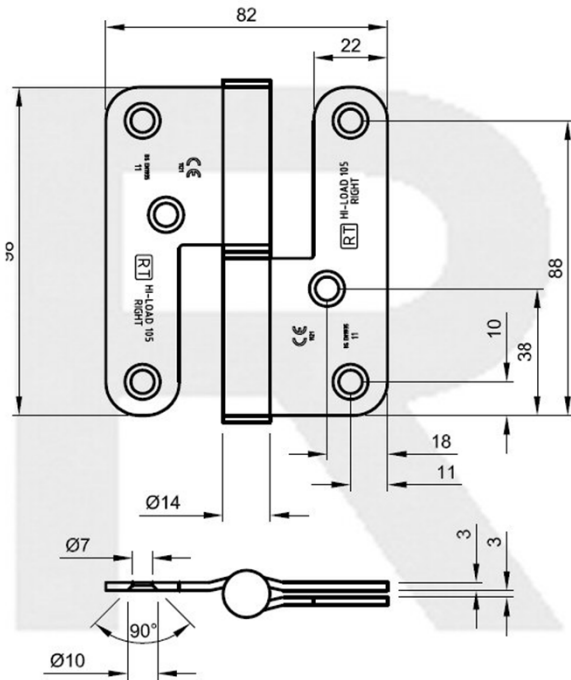


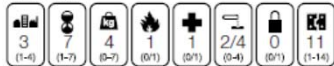
Royde & Tucker H105 HI-LOAD butt hinge



LEFT HAND
 H105-LR

RIGHT HAND
 H105-RR

BS EN 1935



- 98x82x3mm Lift-off hinge
- Maximum adjusted door weight 80kg
- To BS EN 1935 Grade 11
- Minimum door thickness 35mm
- Maintenance free, guaranteed for 25 years
- CE Certificate No. 1121-CPR-AC0030 (SS)
- CE Certificate No. 1121-CPR-AC0021 (MS)
- Suitable for use on fire doors: Certifire approved – CF209
- To be fitted with HP105 intumescent hinge pads, if being installed on fire doors
- c/w metric 5 x 32mm wood screws
- Unless stated Mild steel substrate, Grade 304 or 316 stainless steel available

Royde & Tucker Ltd
 Bilton Road
 Cadwell lane
 Hitchin
 SG4 0SB

Tel: 01462 444444

Fax: 01462 444433

www.ratman.co.uk

e-mail: sales@ratman.co.uk