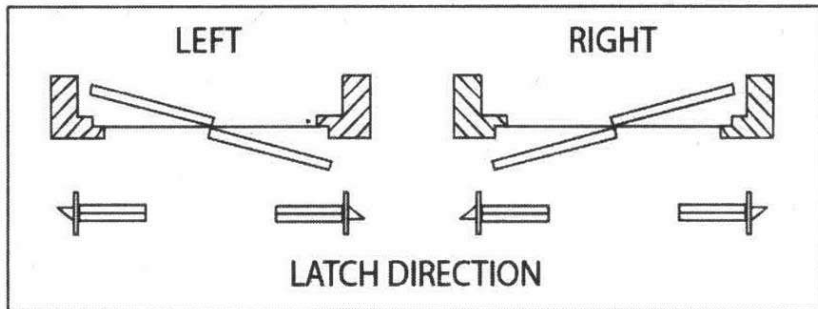
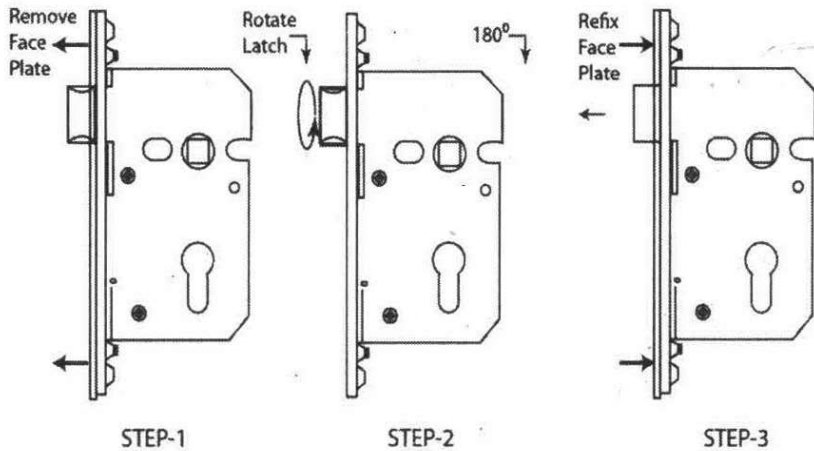


**PLEASE READ INSTRUCTIONS CAREFULLY
BEFORE BEGINNING INSTALLATION**

Determine the latch direction according to door handing as shown in fig.1.



2.Refer to fig 2, if the latch direction needs reversing.



3. Position lock in mortice and mark around outer forend. Remove the lock and create a recess 4.7mm deep at the previously marked position. Remove the outer forend, replace the lock. For fire door application use intumescent packs (1 pack per latch / lock, 1mm for 30 mins. & 2 mm for 60 mins.).
4. Insert lock into door and secure with screws supplied, determine the position of the strike on the door frame and fix as required fig. 3 & 4

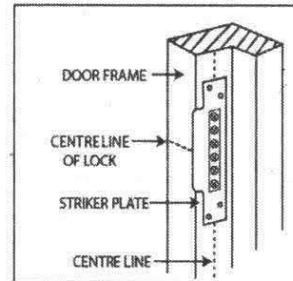


fig. 3

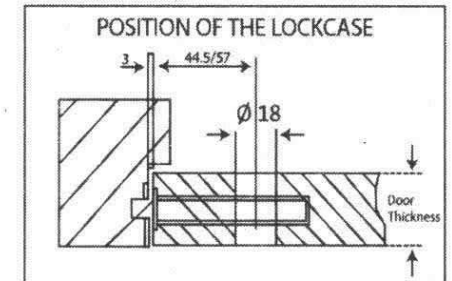


fig. 4

Product Maintenance & Safety :- Please ensure that the operation of the lock and ensure that all fixing are secure and adjust if required. These checks must be carried out every 3 months. Ensure that the strike plate / box keep is correctly in line and that the door has not dropped. Also ensure that the strike plate/box keeps are completely clear of any obstructions and that both Latch Bolts and Deadbolts are clear to enter without problems.

Warning :- The Safety features of this product are essential to its compliance with BS EN 12209:2003 No modification of any kind, other than those described in these instructions are permitted.

For Dead Lock skip Latch reversal step (i.e. 2).

CE	Mr Steve Bright, Marketing Department, A. Perry & Co. (Hinges) Ltd. Doulton Road, Cradley Heath, West Midlands, B64 5QW Tel: +44 (0)1384 414000 Fax: +44 (0)1384 411100 Email: sales@perrytrade.co.uk www.perrytrade.co.uk	17
	1121-CPR-AG5151	BS EN 12209: 2003

For Declaration of Performance please go to : www.perrytrade.co.uk